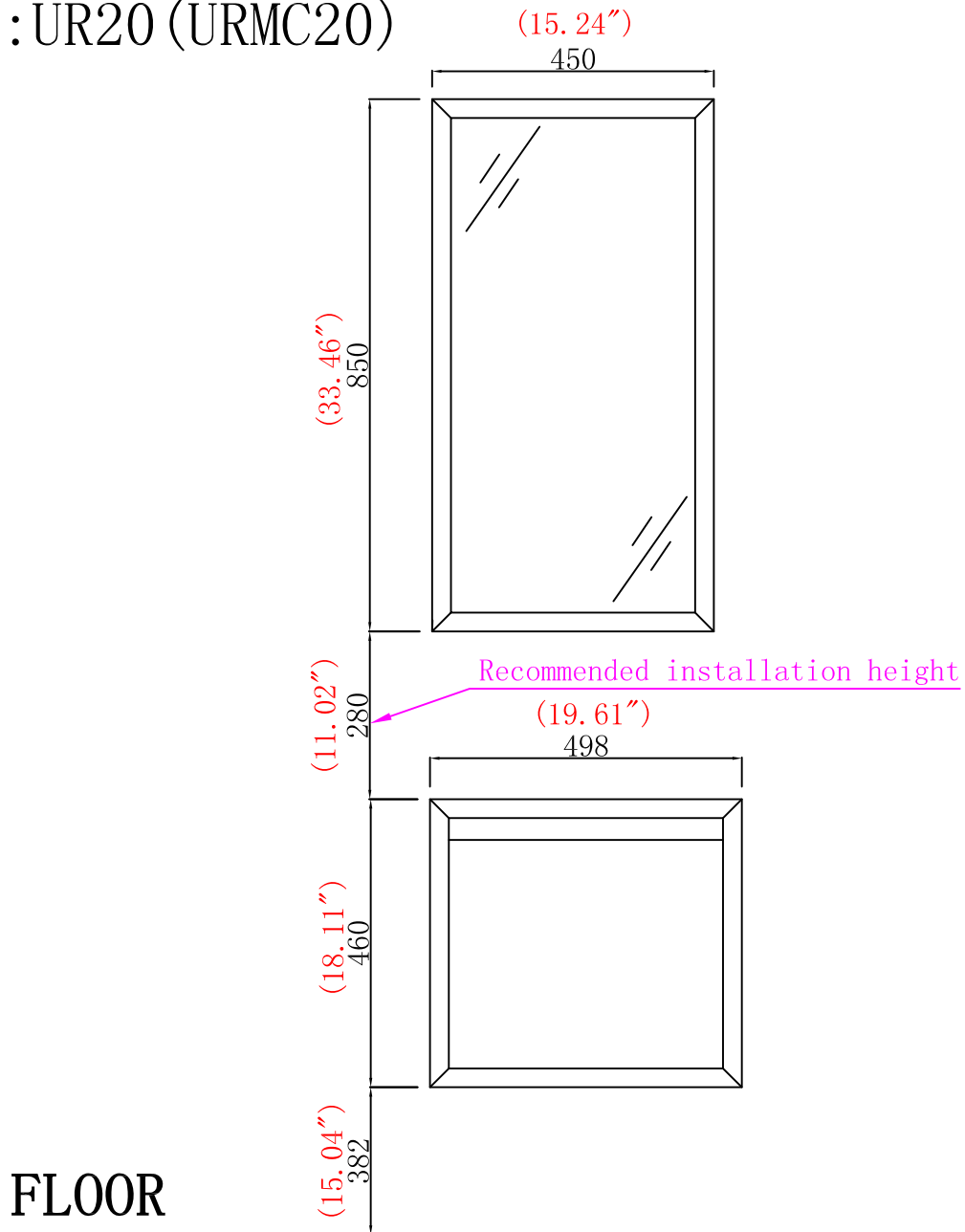




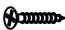



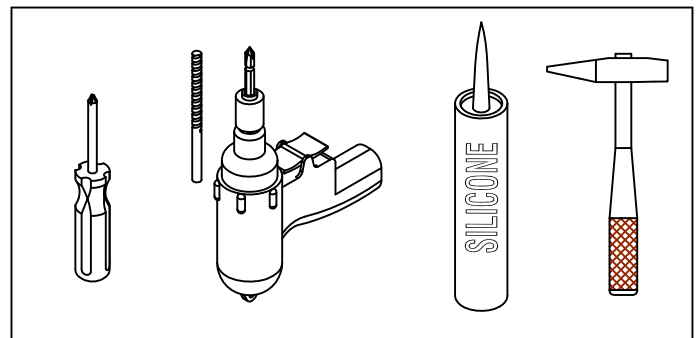
Item No. : UR20 (URMC20)



Hardware

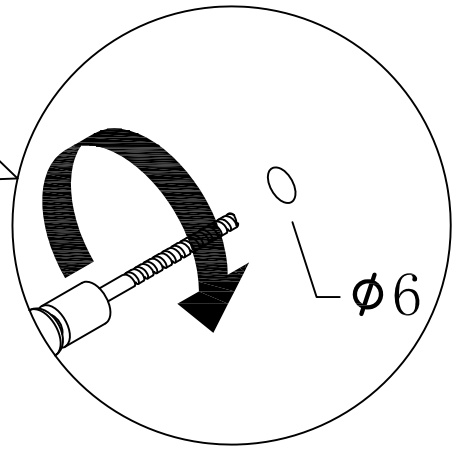
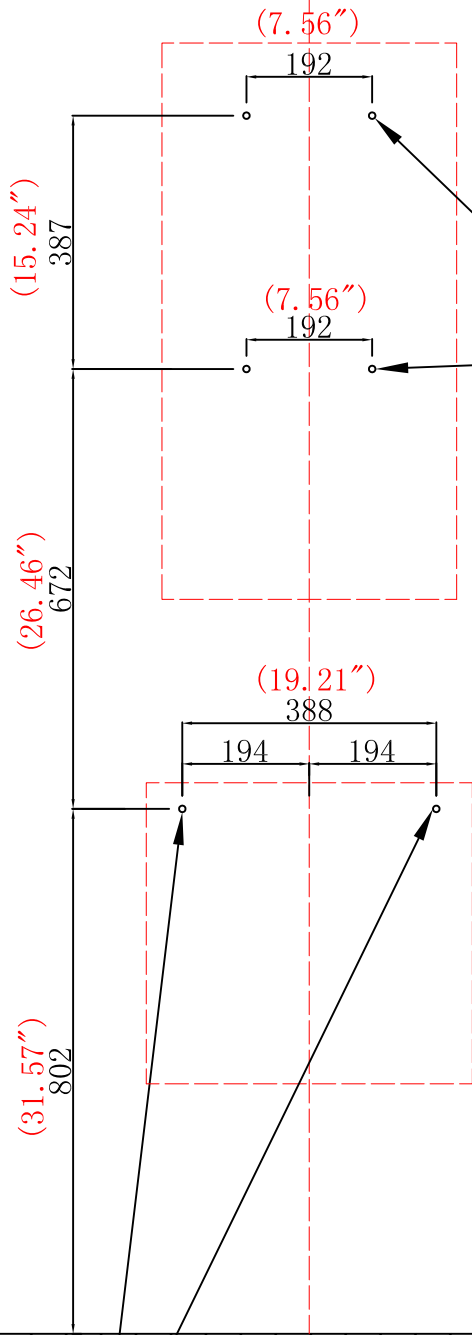
NO.	Draw	QTY
A		2
B		2
C		2
D		4
F	 (3.5*60)	4
G	 (3.5*14)	8

Tools

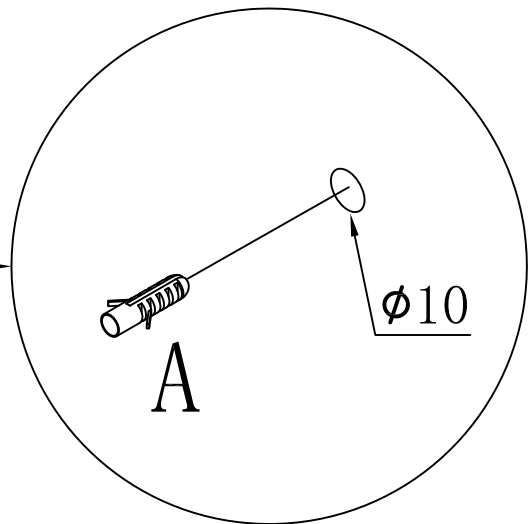
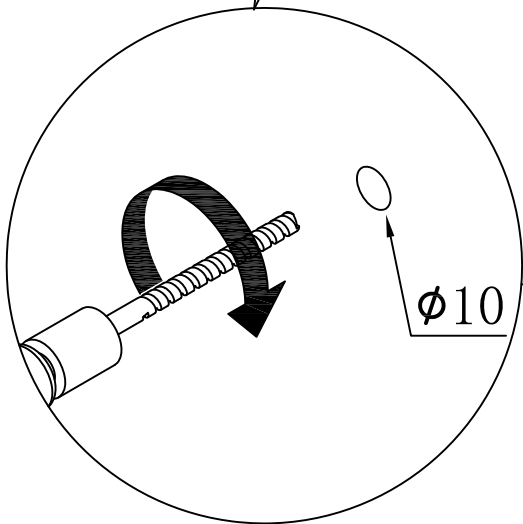


Step 1

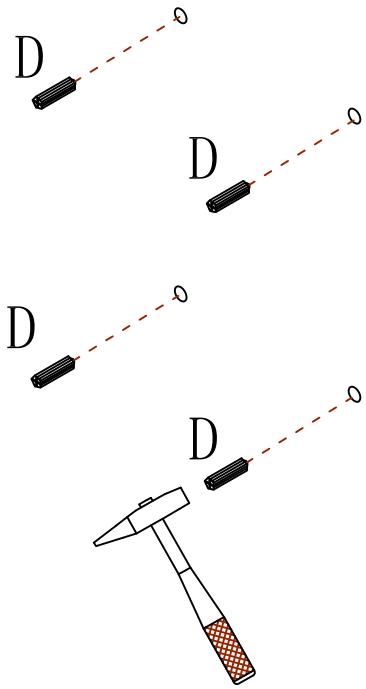
WALL



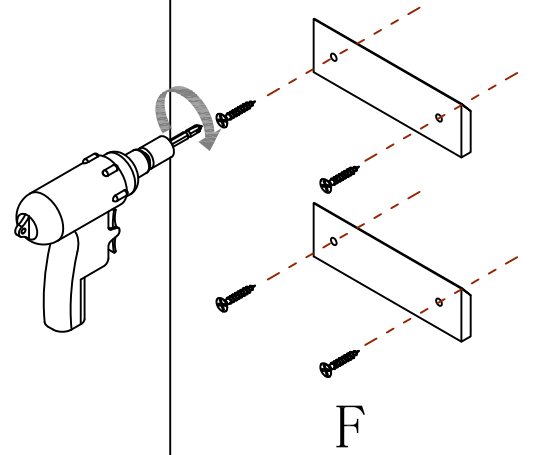
FLOOR



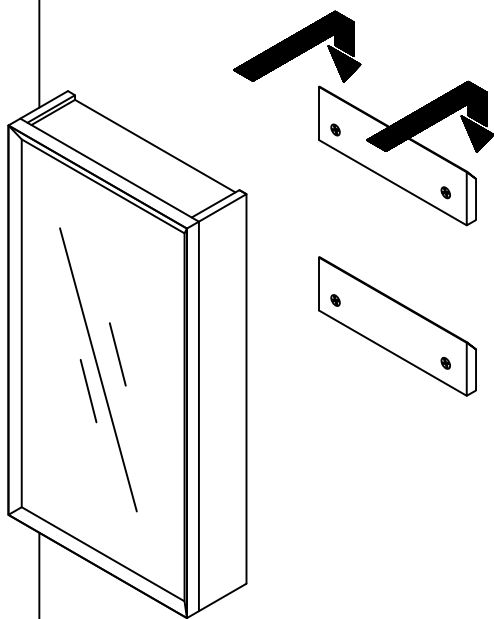
Step 1



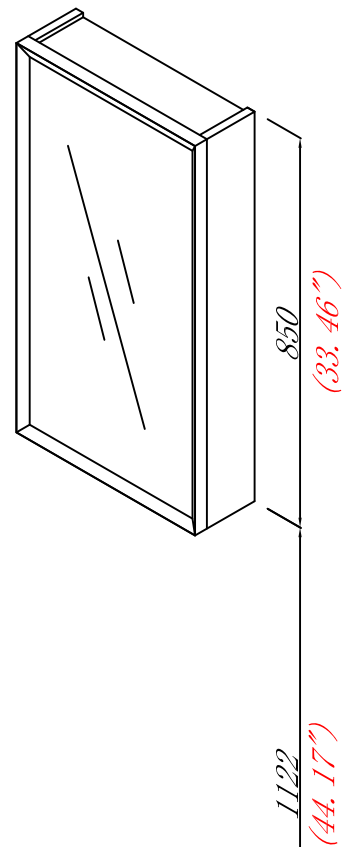
Step 2



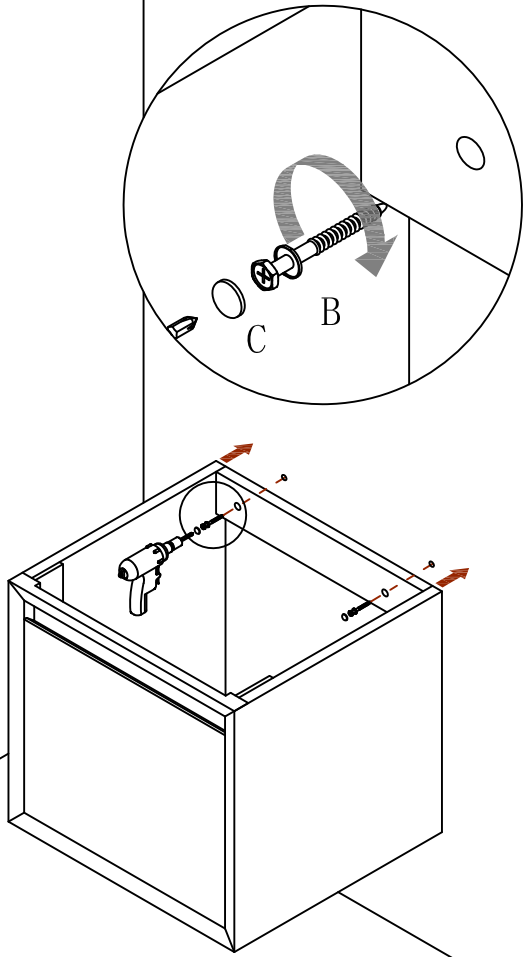
Step 3



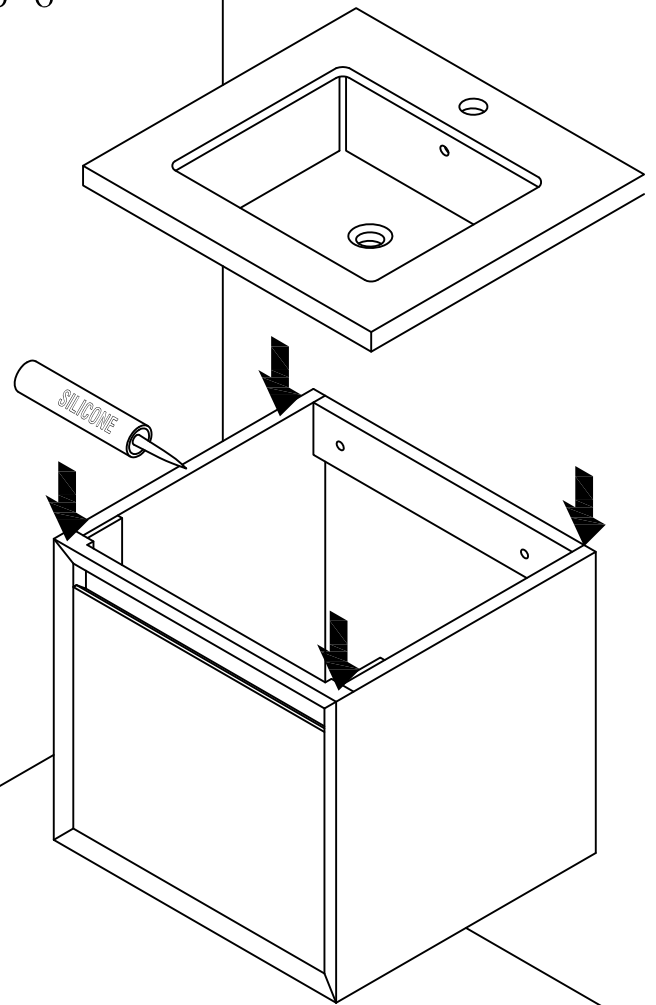
Step 4



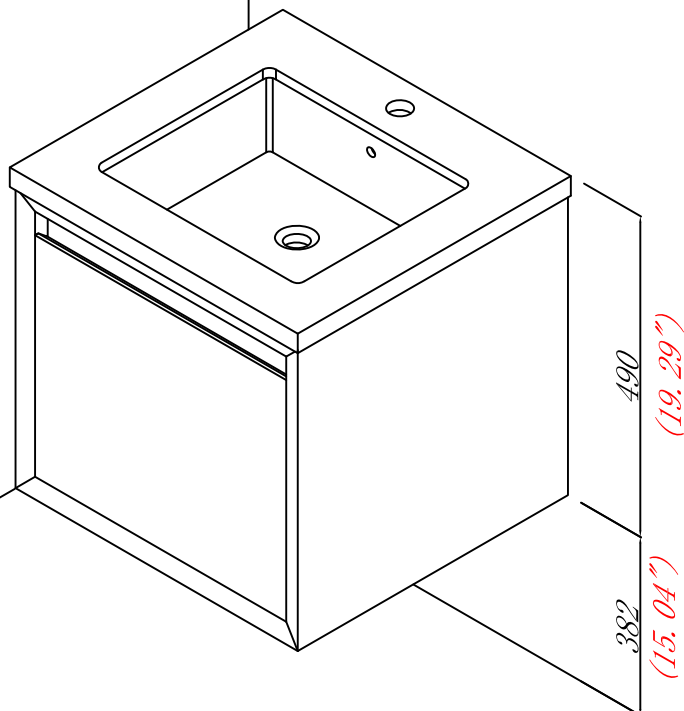
Step 5



Step 6



Finished



Black Metal Legs Installation Instruction

