

# DRAWER REMOVAL & INSTALLATION

---

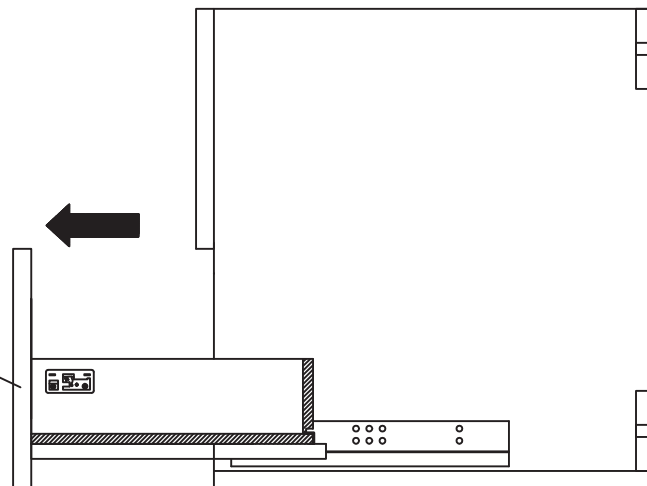
Goes well with

THE **SUNDANCE** COLLECTION

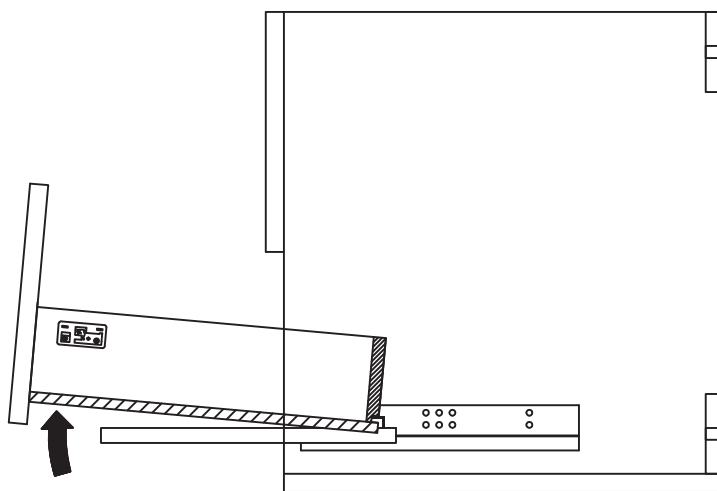
**urbania**

# REMOVAL

1. Pull out the drawer and open the plastic lid on the drawer.



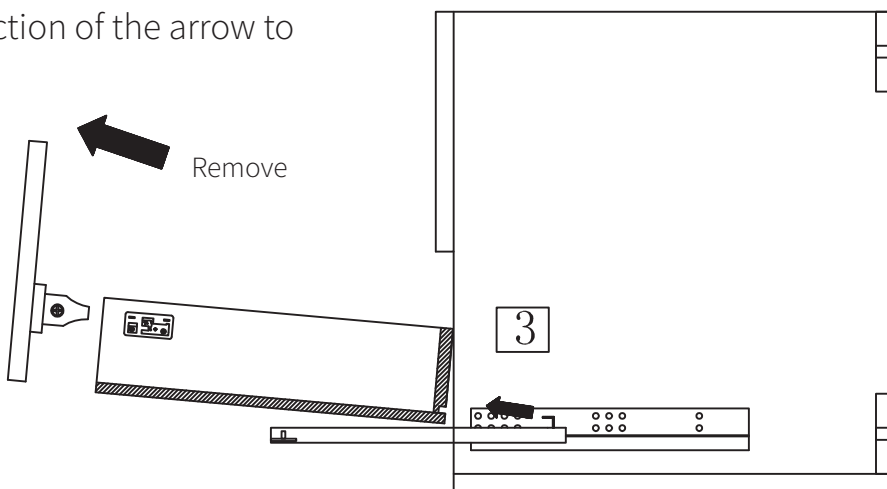
2. Push out the drawer in the direction of the chart.



3. Twist the screw in the direction of the arrow to remove the drawing face.

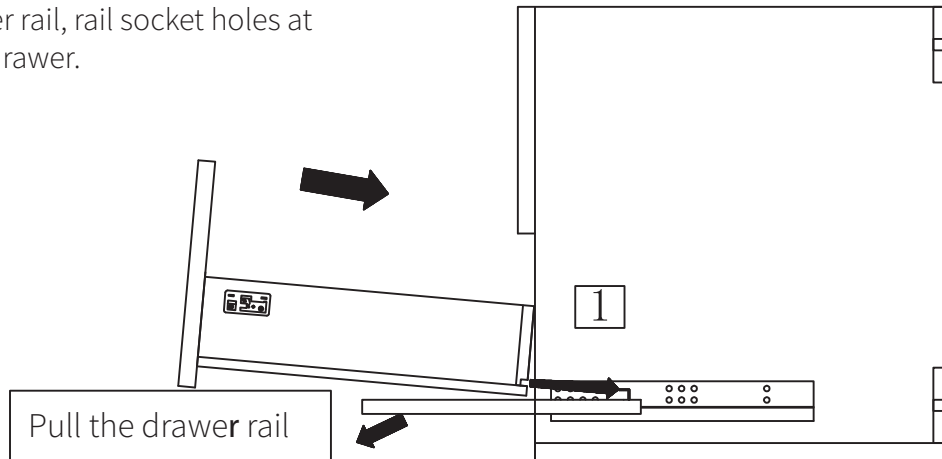


Pop-up the drawer panel

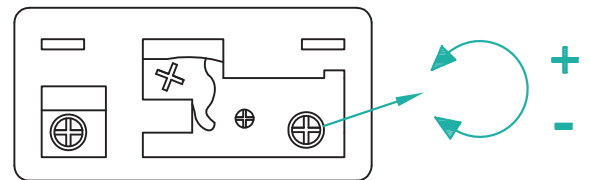
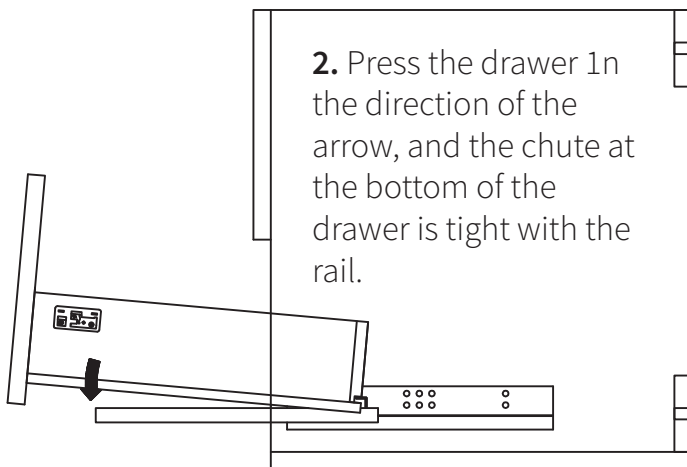


# INSTALLATION

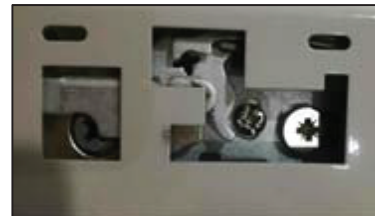
**1.** Pull the drawer rail, rail socket holes at the back of the drawer.



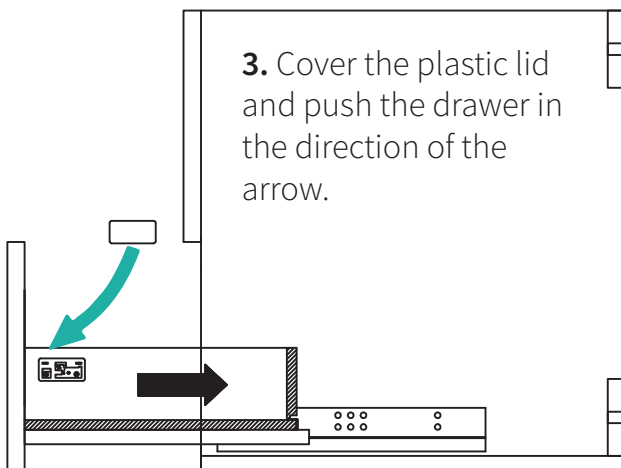
**2.** Press the drawer in the direction of the arrow, and the chute at the bottom of the drawer is tight with the rail.



Adjustable up and down of the drawer



**3.** Cover the plastic lid and push the drawer in the direction of the arrow.



**Finished** →

