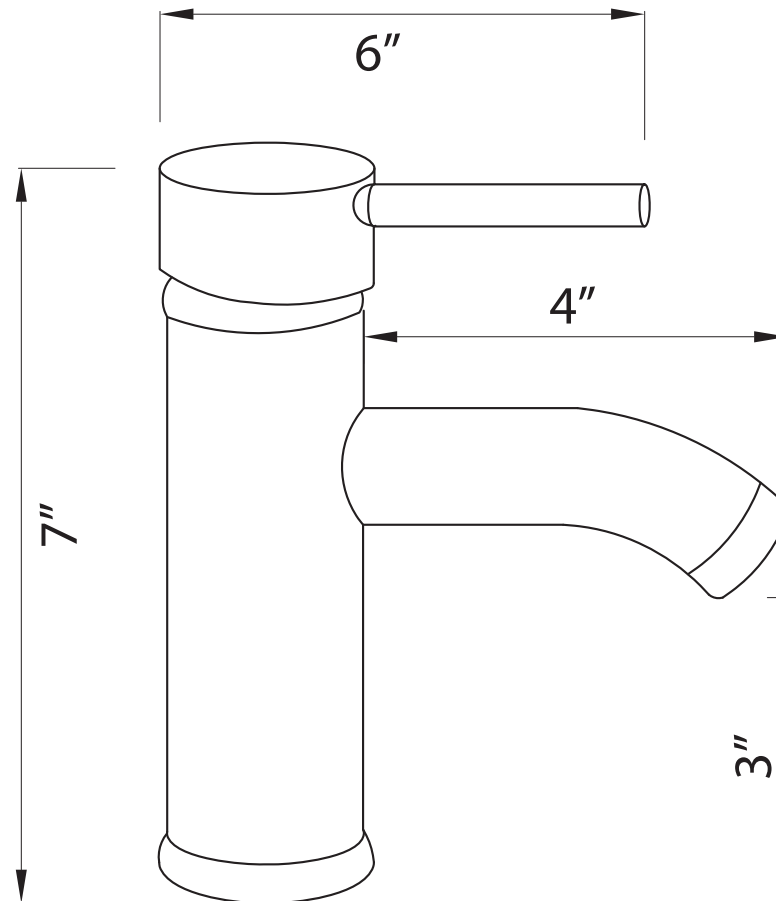


**DIMENSIONS/TECHNICAL DATA**

**SINK FAUCET  
ITEM #FAM2**



**ATTENTION!** Dimensions may vary by up to 3/8". It is highly recommended to pull all dimensions of actual model for installation and measuring purposes.