

## DIMENSIONS/TECHNICAL DATA

### SPECIFICATION

- Vitreous china.
- High efficiency dual flush (6lpf/4.1lpf).
- Nice glazed surface inhibits the growth of stain and odor-causing bacteria, mold, and mildew on the surface.
- R&T cUPC certificated water flush valve.
- Rounded siphon action bowl.
- 2" fully-glazed trapway.
- Slow down seat cover.
- Chrome-plated top button.
- Sanitary Dam on bowl.
- 100% factory flush tested.
- 2 bolt caps.
- 12" (305mm) roughing-in

### COMPLIANCE CERTIFICATIONS

#### Meets or Exceeds the Following Specifications:

- ASME A112.19.2M for Vitreous China Fixtures - includes Flush Performance, Ball Pass Diameter, Trap Seal Depth and all Dimensions.
- cUPC certification from IAPMO.

#### NOTES:

This Toilet Is Designed to Rough-in at a Minimum Dimension of 12" (305mm) From Finished Wall to C/L of Outlet.

Supply Not Included With Fixture and Must Be Ordered Separately.

\*Dimension Shown for Location of Supply Is Suggested.

**IMPORTANT:** Dimensions of fixtures are nominal and may vary within the range of tolerances established by ANSI Standard A112.19.2.

These measurements are subject to change or cancellation. No responsibility is assumed for use of superseded or voided pages.

### Nominal Dimensions:

25" x 13 3/8" x 28 3/8"  
(635 x 340 x 720mm)



# HIGH EFFICIENCY TOILET

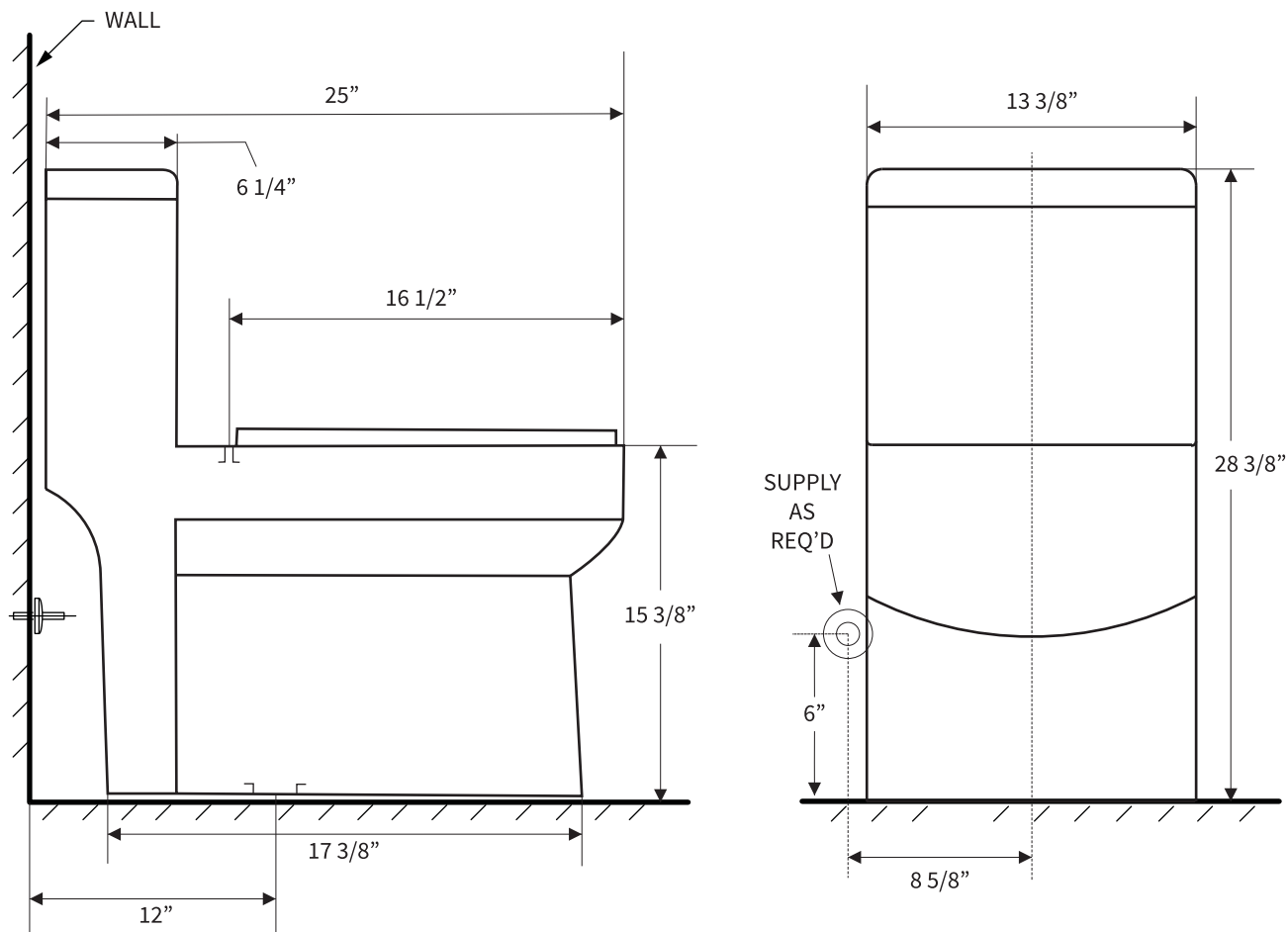
## 12" (305MM) ROUGHING-IN

### ITEM #MOTB11W



**DIMENSIONS/TECHNICAL DATA**

**HIGH EFFICIENCY TOILET  
ITEM #MOTB11W**



**ATTENTION!** Dimensions may vary by up to 3/8". It is highly recommended to pull all dimensions of actual model for installation and measuring purposes.