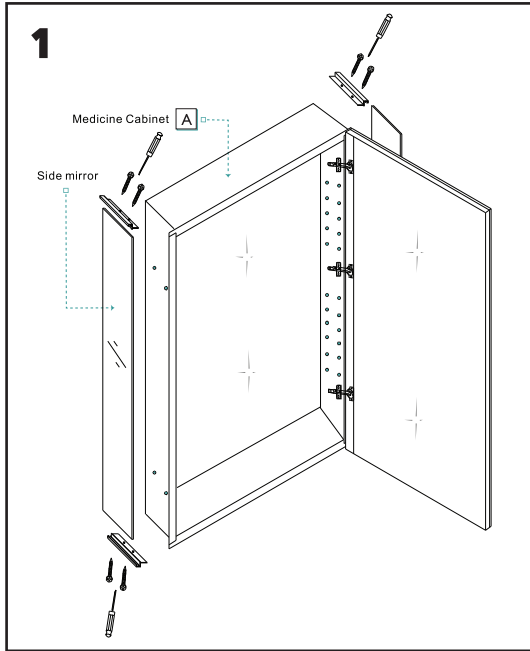
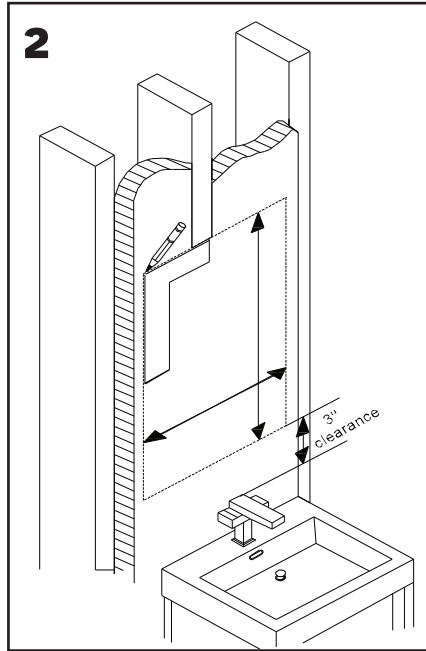


Recess Mount Guide

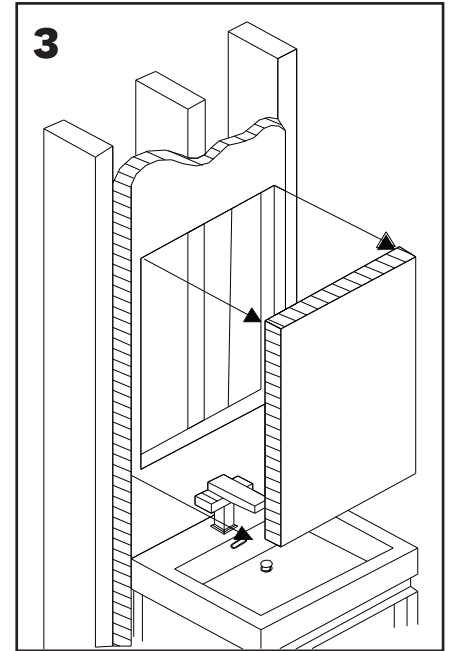
Positioning and Installation of Mirror Cabinet:



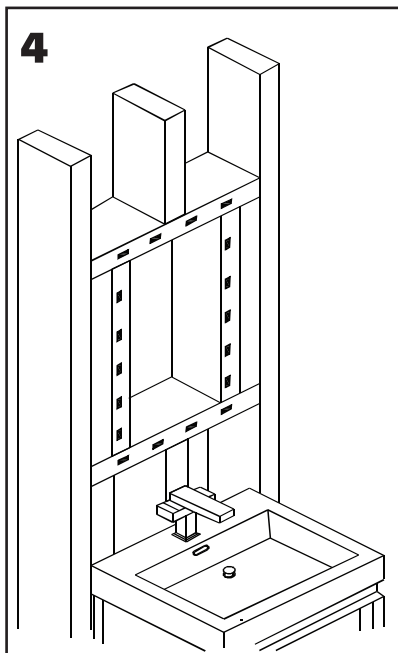
1 Remove the both of side mirror with screwdriver.



2 Draw the perimeter of the medicine cabinet.

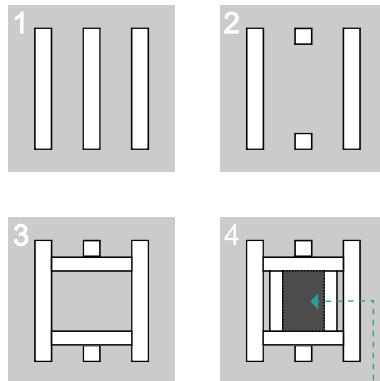


3 Place and hold the cabinet in the cutout opening.



4 Frame the cutout opening.

4 STEPS TO FRAME THE CUTOUT OPENING



CUTOUT OPENING DIMENSIONS

CHECK THE CUTOUT OPENING DIMENSIONNS OF THE MODEL YOU ARE ABOUT TO INSTALL.

MODEL #	OVERALL DIMENSIONS
AME1530	14.5" X 29" X 4.3"
AME2030	19.5" X 29" X 4.3"
AME2430	23.5" X 29" X 4.3"
AME2436	23.5" X 35" X 4.3"
AME3030	29" X 29" X 4.3"
AME3036	29" X 35" X 4.3"
AME4230	41.5" X 29" X 4.3"