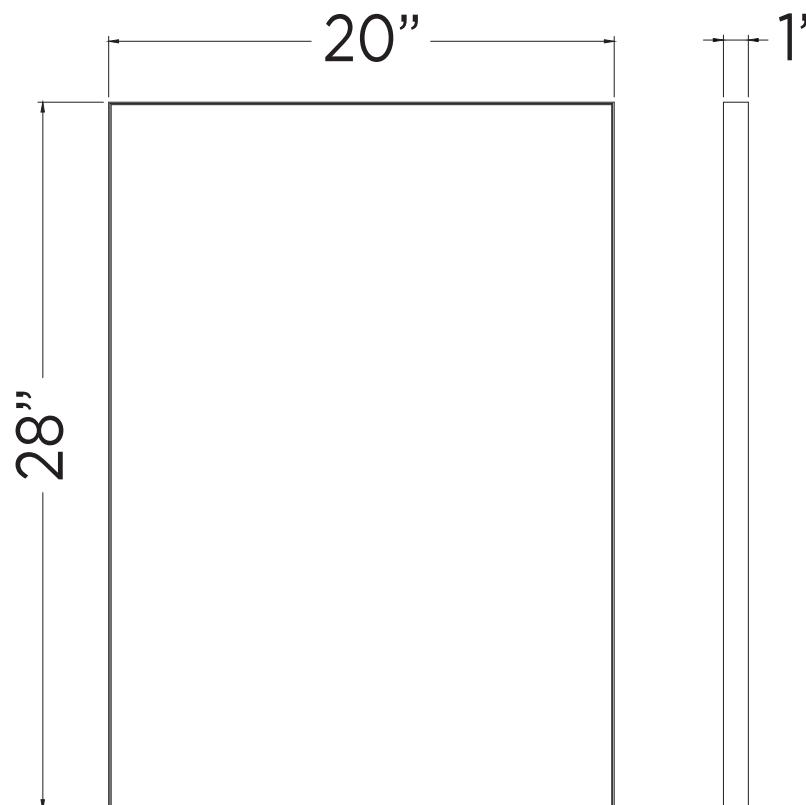


**SPECIFICATIONS / TECHNICAL DATA**

**MIRROR  
RECTANGULAR  
SHARP CORNERS**

**20" x 28"**



*ATTENTION! Dimensions may vary by up to 3/8". It is highly recommended to pull all dimensions of actual model for installation and measuring purposes.*

**MODEL# MRS2028**