

SPECIFICATIONS / TECHNICAL DATA

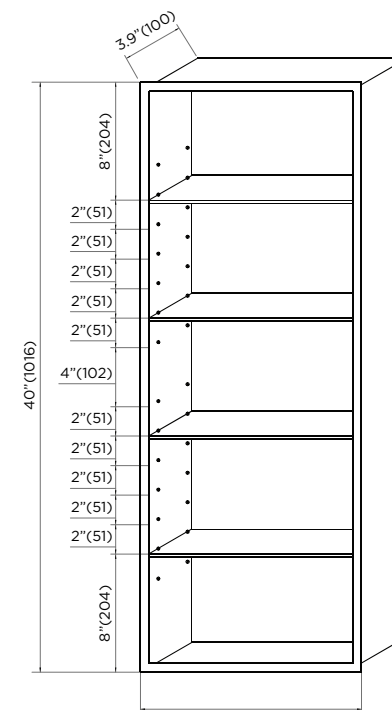
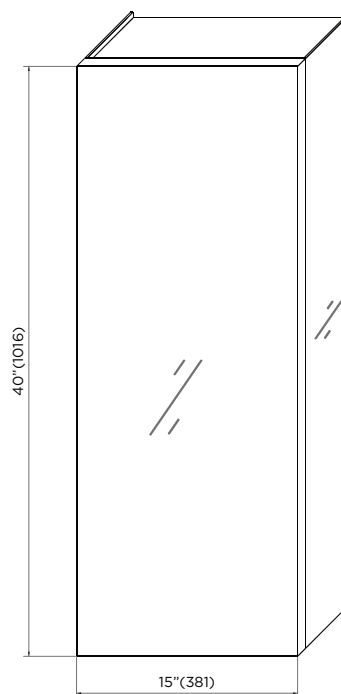
MEDICINE CABINET

ALUMINUM

15" x 40"

CUTOUT DIMENSIONS:

14 ²/₅" x 39 ²/₅" x 4 ³/₅"



ATTENTION! Dimensions may vary by up to 3/8". It is highly recommended to pull all dimensions of actual model for installation and measuring purposes.

MODEL# AMA1540