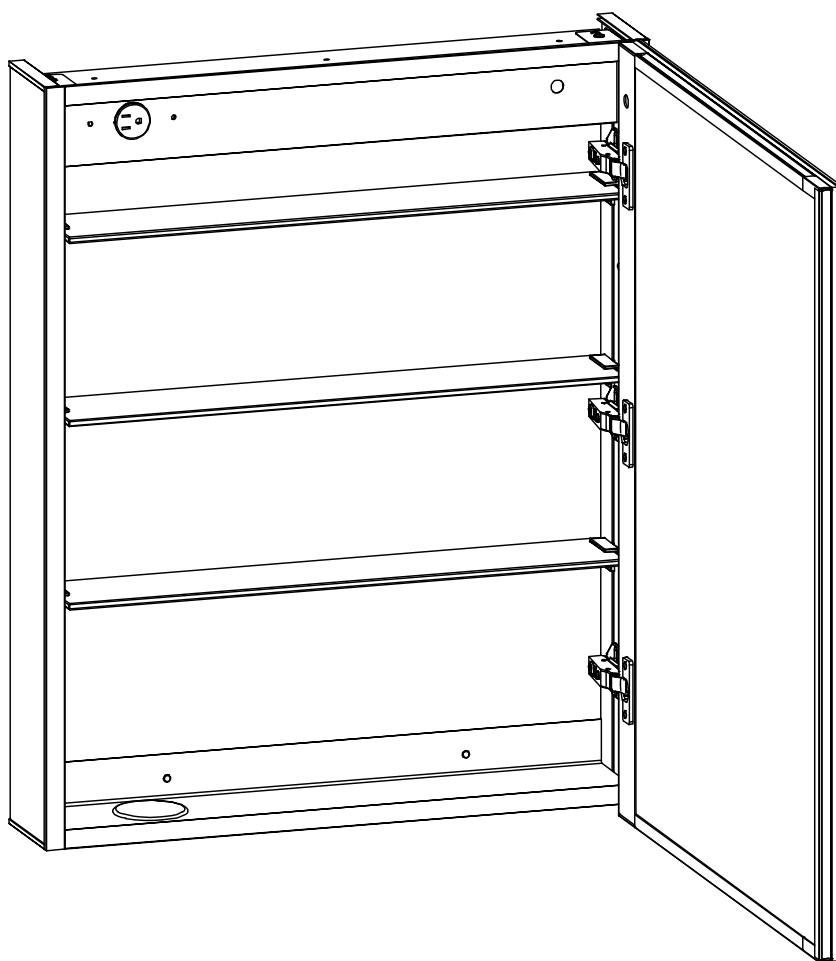


# INSTALLATION INSTRUCTIONS

**ITEM# AME2030**  
**20" X 30" X 5"**



**(LEFT AND RIGHT HAND MODELS)**  
**ALUMINUM MEDICINE CABINET**

**! READ ALL INSTRUCTIONS BEFORE UNPACKING THE PRODUCT**

INSTRUCTIONS THAT, IF IGNORED COULD RESULT IN DEATH OR SERIOUS INJURY CAUSED BY INCORRECT HANDLING OR INSTALLATION OF THE PRODUCT. THESE INSTRUCTIONS MUST BE OBSERVED FOR SAFE INSTALLATION.

**CAUTION! TWO PERSON LIFT REQUIRED**

**2 PEOPLE ARE REQUIRED TO LIFT AND DURING ENTIRE INSTALLATION OF THIS PRODUCT**





**! INSTALLATION OF THIS PRODUCTS BY AN INEXPERIENCED INSTALLER MAY RESULT PERSONAL INJURY OR DEATH! !**

We reserves the right to change, update, modify, alter, redesign this manual/product or its policies without prior notice!  
It is your responsibility to visit website to download or contact customer service for the most updated version of the installation instructions.  
We shall not be liable for any injuries or property damages in connection with this product during installation or use of this product!

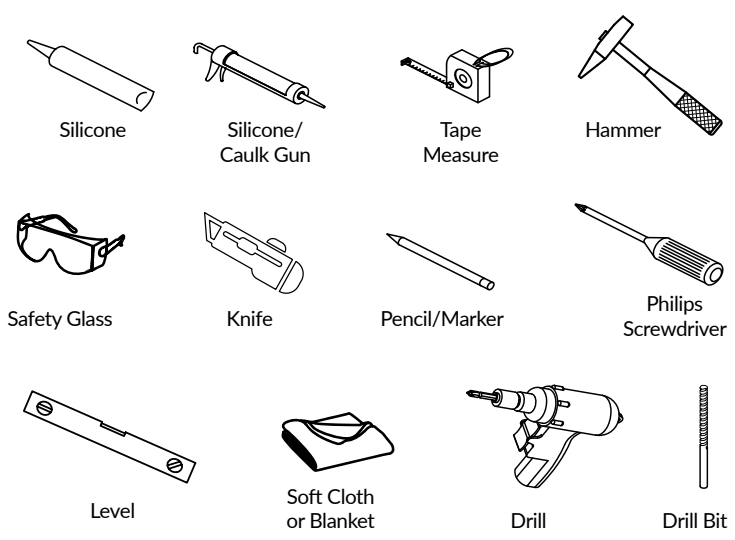
- \* LIMITED WARRANTY IS VOID ON ANY COMMERCIAL INSTALLATION.
- \* WE ARE NOT RESPONSIBLE FOR LOCAL CODE COMPLIANCE FOR THIS PRODUCT.
- \* BUILDING AND PLUMBING CODES MAY VARY FROM STATE-TO-STATE IN ACCORDANCE TO YOUR LOCATION.
- \* WE ARE NOT RESPONSIBLE FOR PROVIDING ANY COMPLIANCE CERTIFICATIONS.
- \* WE ARE NOT RESPONSIBLE TO PROVIDE ANY TYPE OF CERTIFICATIONS FOR THIS PRODUCT.
- \* UNDER NO CIRCUMSTANCES WE SHALL NOT BE LIABLE FOR ANY AND ALL INCIDENTAL DAMAGES SUSTAINED IN CONNECTION WITH THIS PRODUCT NEITHER MANUFACTURE, NOR DISTRIBUTOR, NOR RETAILER IS RESPONSIBLE FOR WATER DAMAGE OR FLOOD CAUSED DUE TO USE OF THIS PRODUCT.
- \* UNDER NO CIRCUMSTANCES WE SHALL NOT BE LIABLE FOR ANY AND ALL FEES, COST OF INSTALLATION/REINSTALLATION/REMOVAL, SUBSEQUENT DAMAGE OR TRANSPORTATION IN CASE OF THE PRODUCT DEFECT.

**COMPONENTS AND HARDWARE**

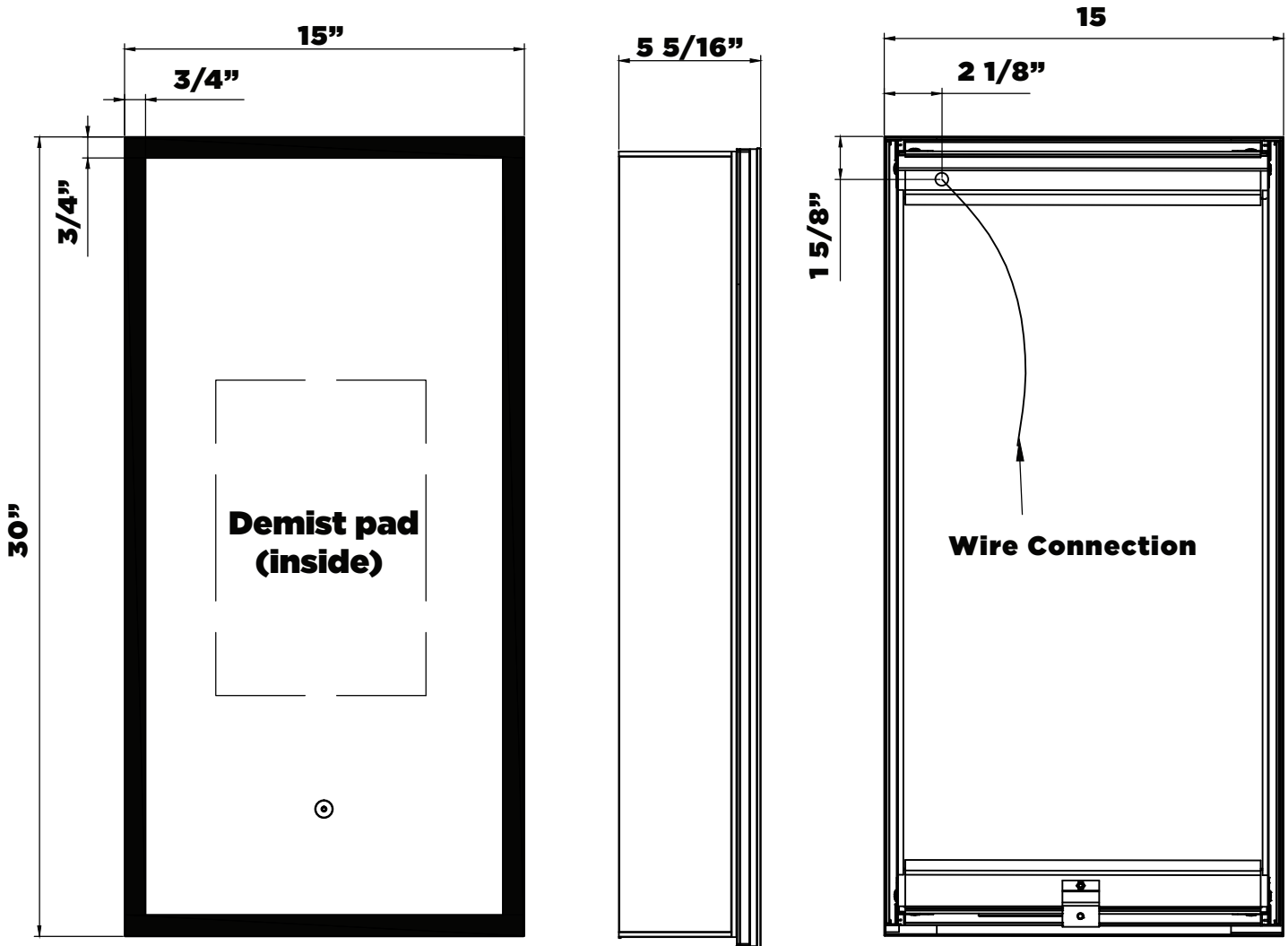
DURING UNPACKING THE PRODUCT AND PRIOR TO INSTALLATION INSPECT YOUR NEW PRODUCT FOR ANY DAMAGES OR MISSING PARTS. DO NOT ATTEMPT TO INSTALL OR OPERATE THE PRODUCT IF THE PRODUCT IS DAMAGED.

<b>Part A</b>		M5 SCREW
<b>Part B</b>		PLUG #8
<b>Part C</b>		HANGING PART
<b>Part D</b>		MOUNTING CLIP

**TOOLS REQUIRED FOR INSTALLATION**



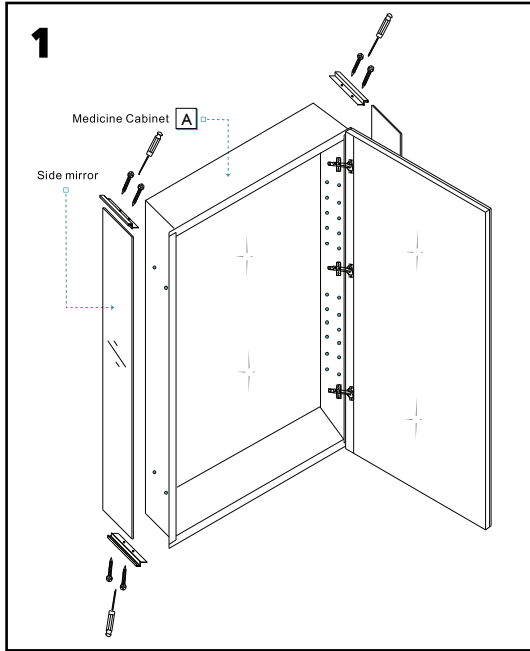
**Technical Drawing**



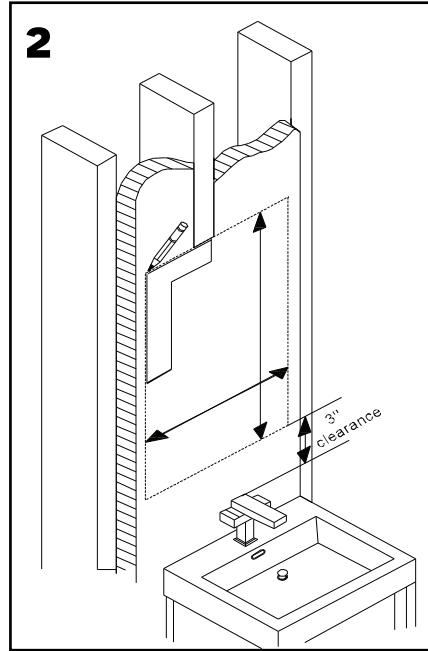
**ATTENTION!** Dimensions may vary by up to 3/8". It is highly recommended to pull all dimensions of actual model for installation and measuring purposes.

## Recess Mount

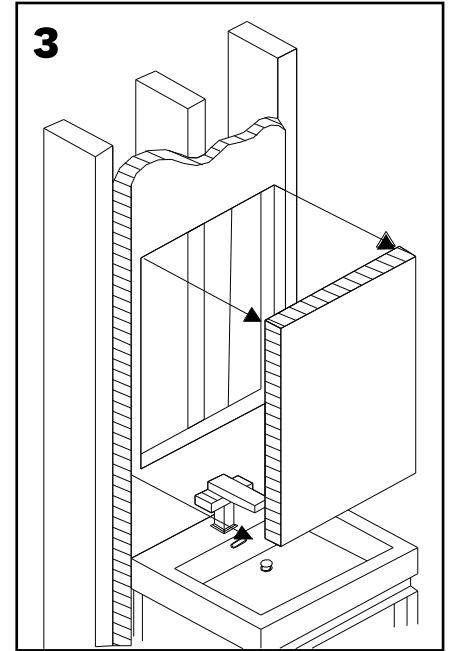
### Positioning and Installation of Mirror Cabinet:



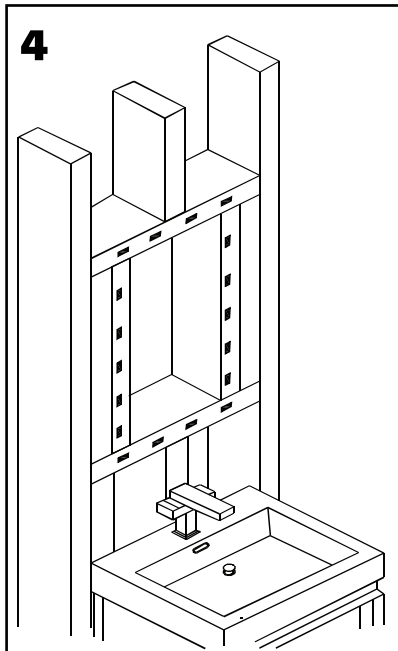
1 Remove the both of side mirror with screwdriver.



2 Draw the perimeter of the medicine cabinet.

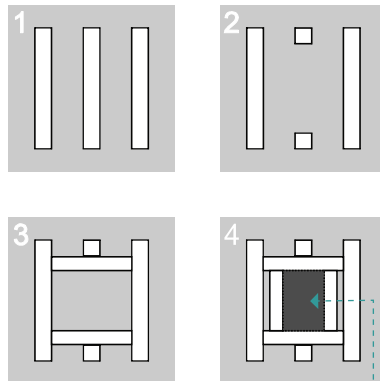


3 Place and hold the cabinet in the cutout opening.



4 Frame the cutout opening.

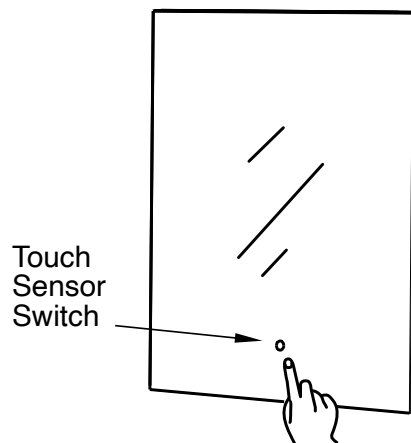
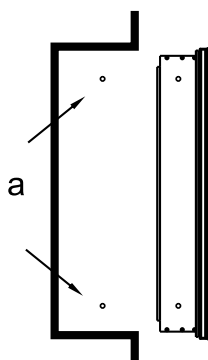
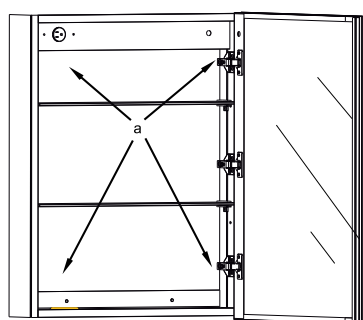
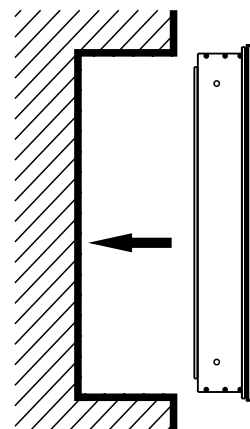
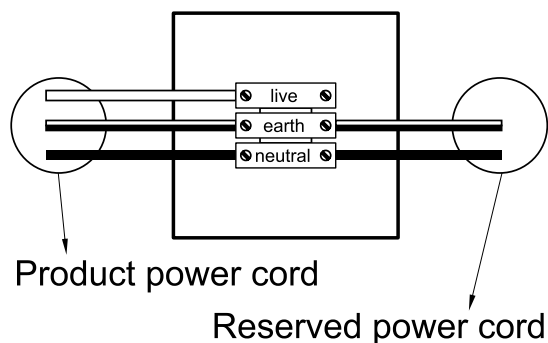
### 4 STEPS TO FRAME THE CUTOUT OPENING



### CUTOUT OPENING DIMENSIONS

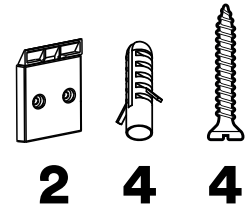
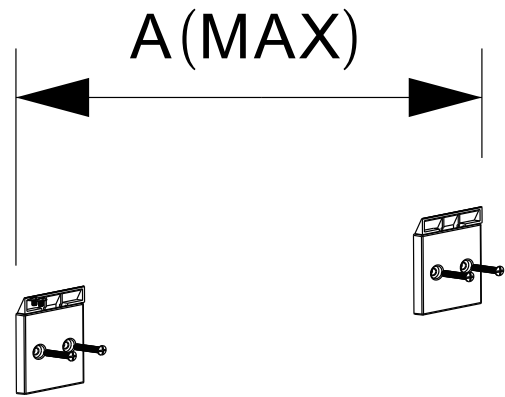
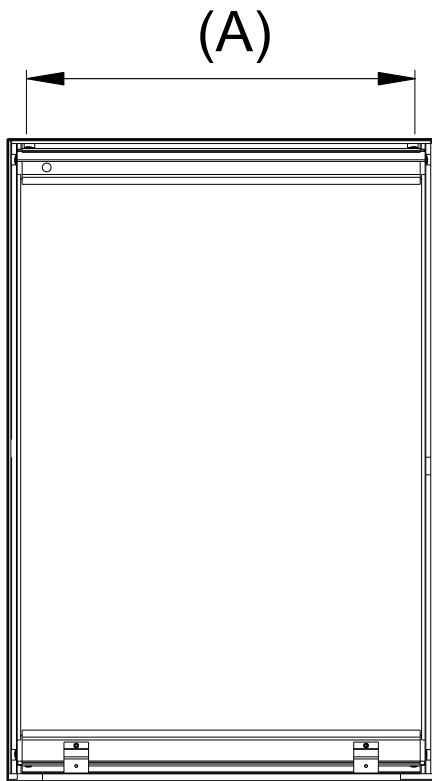
CHECK THE CUTOUT OPENING DIMENSIONNS OF THE MODEL YOU ARE ABOUT TO INSTALL.

MODEL #	OVERALL DIMENSIONS
AME1530	14.5" X 29" X 4.3"
AME2030	19.5" X 29" X 4.3"
AME2430	23.5" X 29" X 4.3"
AME2436	23.5" X 35" X 4.3"
AME3030	29" X 29" X 4.3"
AME3036	29" X 35" X 4.3"
AME4230	41.5" X 29" X 4.3"






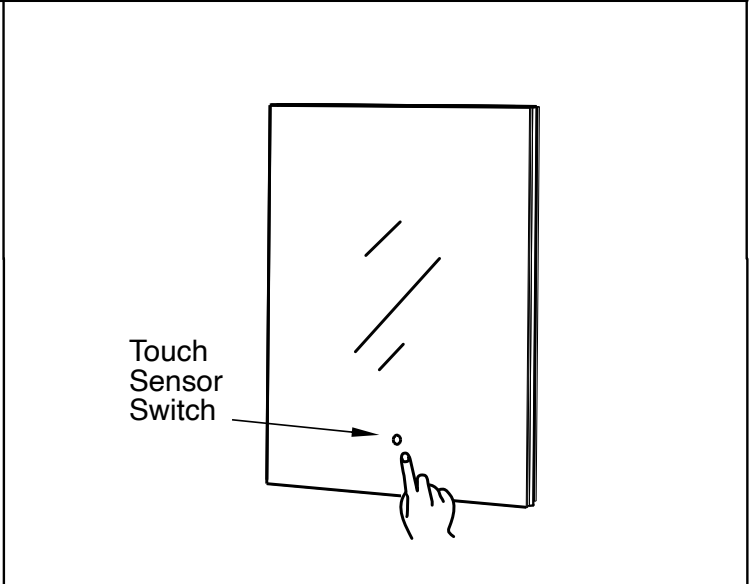
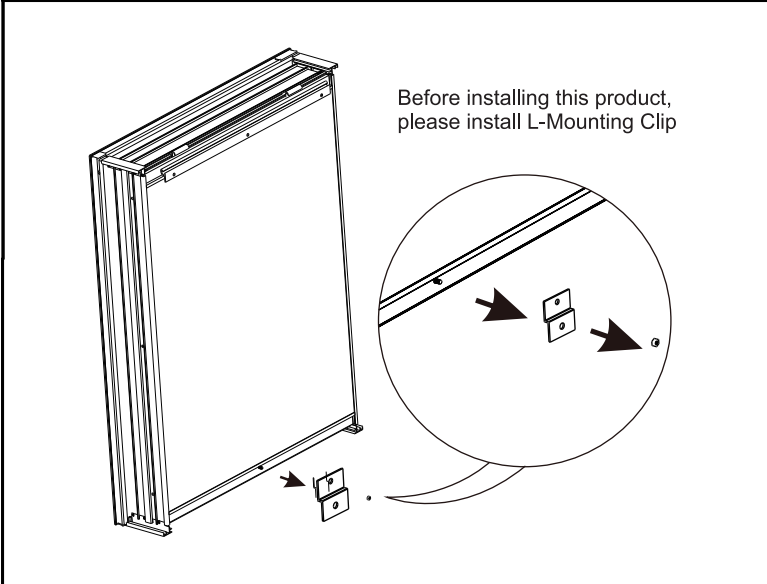
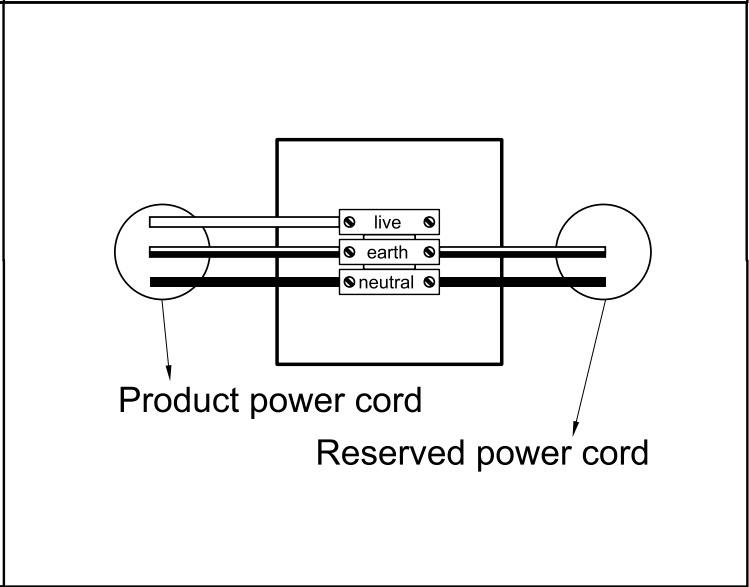
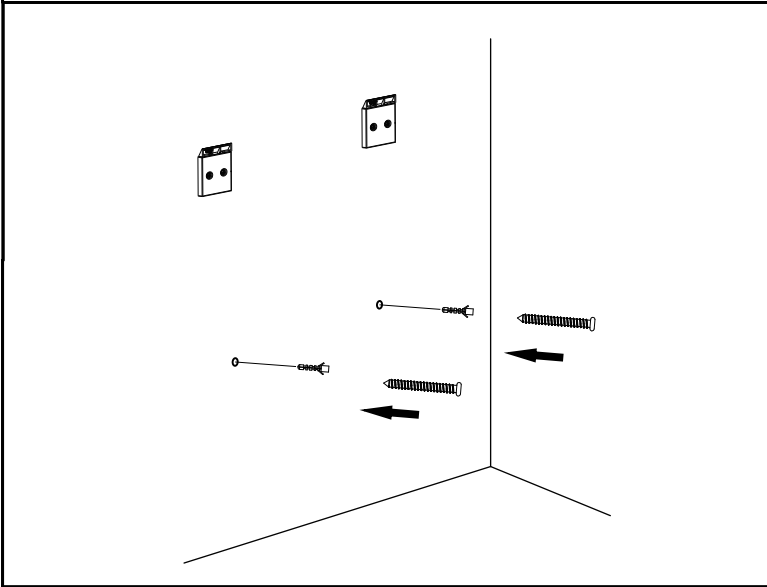
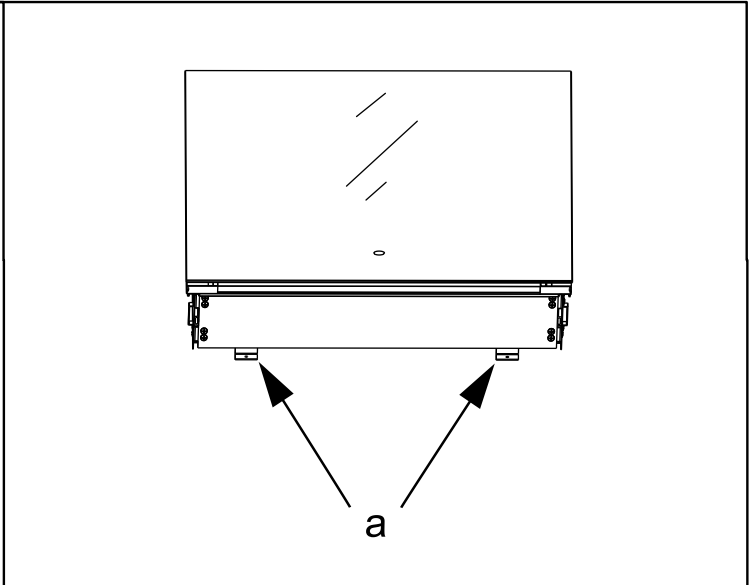
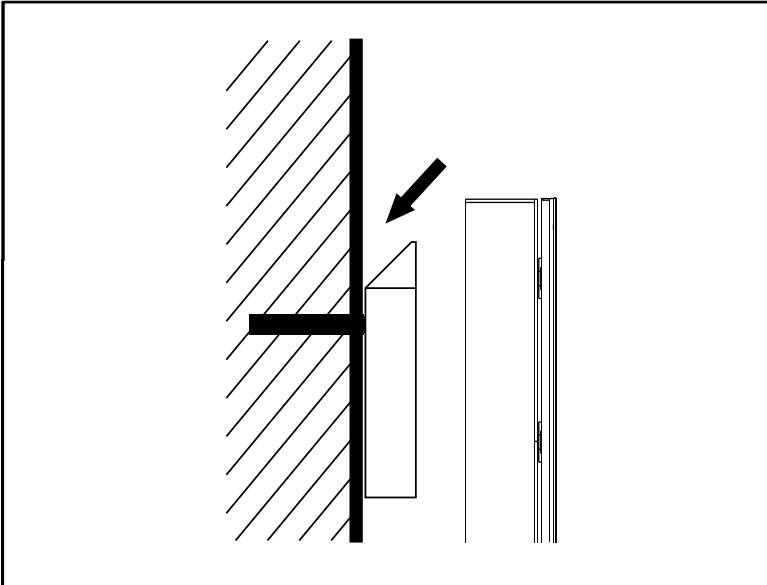
## Installation Steps for Wall Mounting

1. Fixing the bar
  - 1.1 Open the product packaging, and check whether the product has any exception or functional damage; if yes, please return it to the dealer.
  - 1.2 After selecting the location of the mirror cabinet, check whether the wall is solid, and measure the distance of the holes (A) in the aluminum alloy bar with a tape measure and mark it on the wall with a pencil
  - 1.3 Drill holes in the marked position with electric drill and  $\varnothing 8$  drill bit, and use special ceramic drill to check whether the wall surface is ceramic tile.
  - 1.4 Knock the expansion plugs into the holes in the wall with a hammer, and then tighten the screws with a screwdriver to fix the bar, and calibrate the level with a spirit level



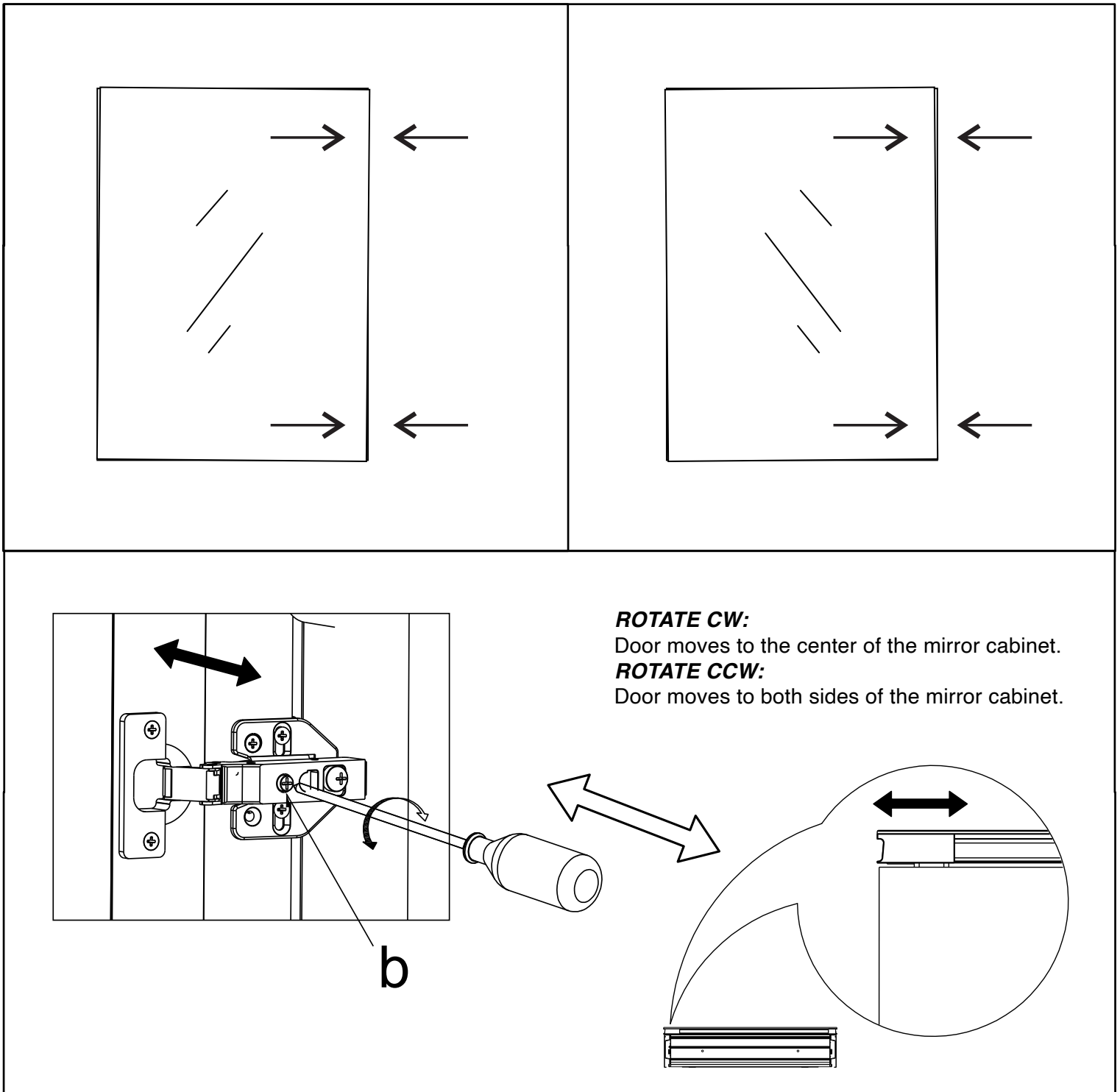
## 2. Positioning and Installation of Mirror Cabinet:

- 2.1 Install the mirror cabinet on the hanging strip, see details in Choose right locating place and use pencil to make sign on the wall through the base fixing hole (a)
- 2.2 Remove the mirror cabinet, drill the fixing hole in the wall in the marked position, and place the expansion plugs
- 2.3 Repeat the operation as shown in and mount the mirror cabinet to the bar,, make sure that the circuit on the wall is not energized and connect the three-core wire reserved on the wall to the three-core wire terminal block on the product and then use the screwdriver to tighten the screws into the holes
- 2.4 In order to turn on the mirror light, please follow below procedure: 1) Push the  sensor on the mirror 2) Let your finger leave the  sensor for 1 second 3) Hold press the  sensor. Then the light will turn from 100% to 10%, after that you can repeat 2nd and 3rd procedure, the light will turn from 10% to 100%.



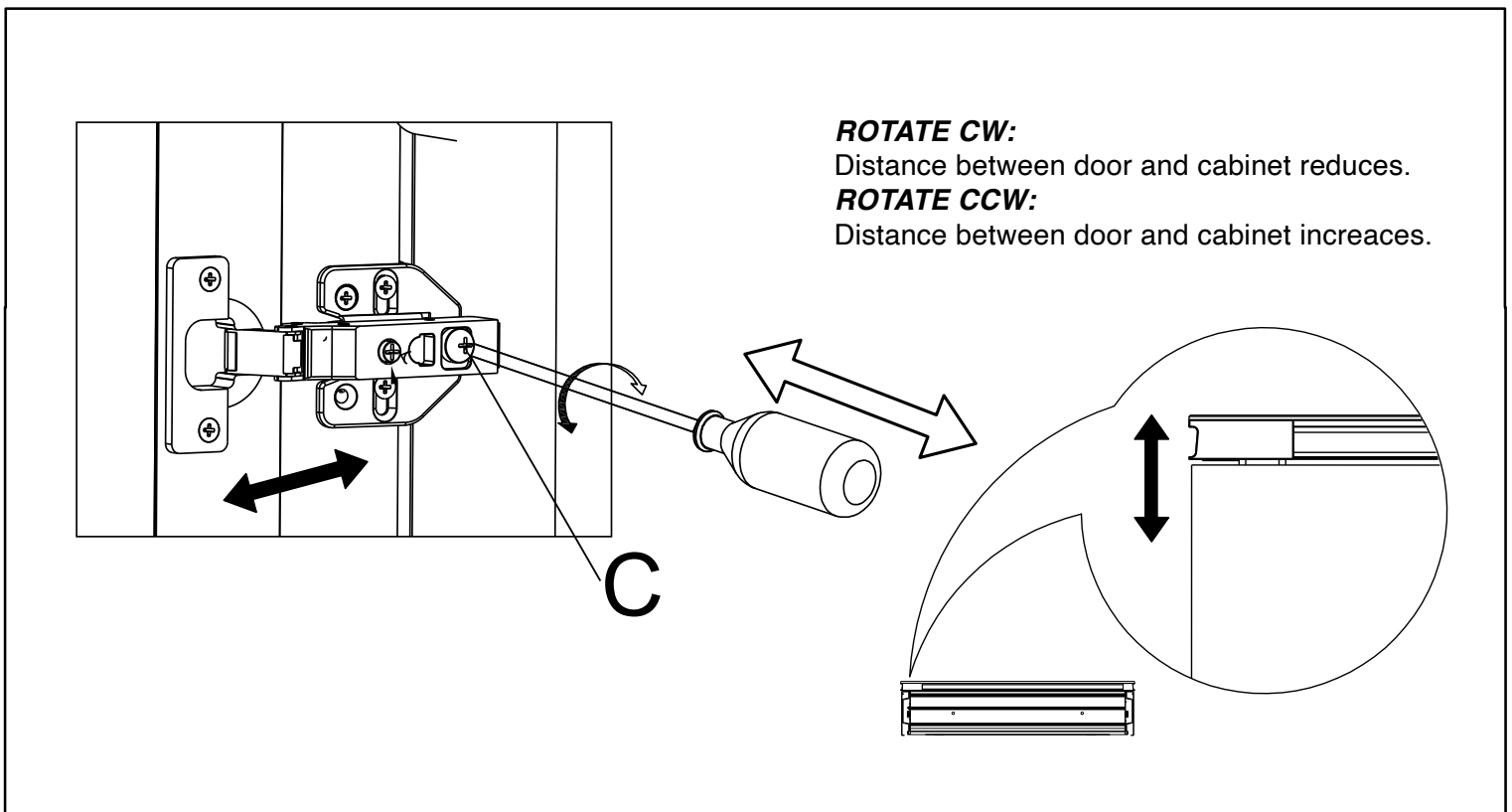
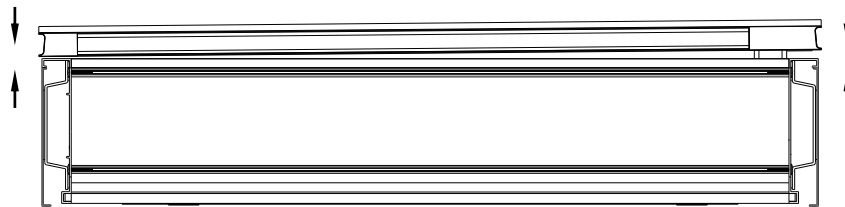
## Mirror Door Adjustment

1.1 Fix the mirror cabinet, and check if the mirror door is flat; if not (as shown in , and adjust the distance of the door opening by adjusting the hinge screw (b) and keep the door level



1. 2 If the cabinet door isn't flat, please adjust the distance between the door and the cabinet by adjusting the screw (c) to make the door flat.

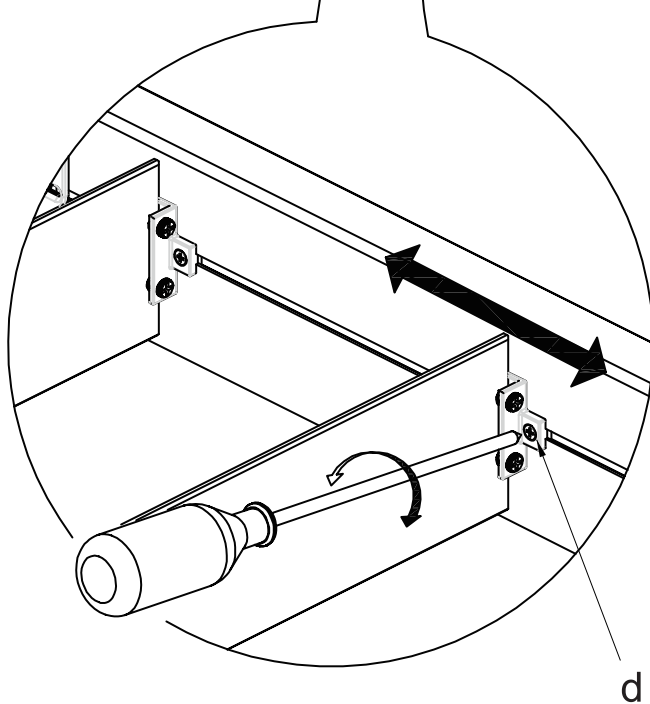
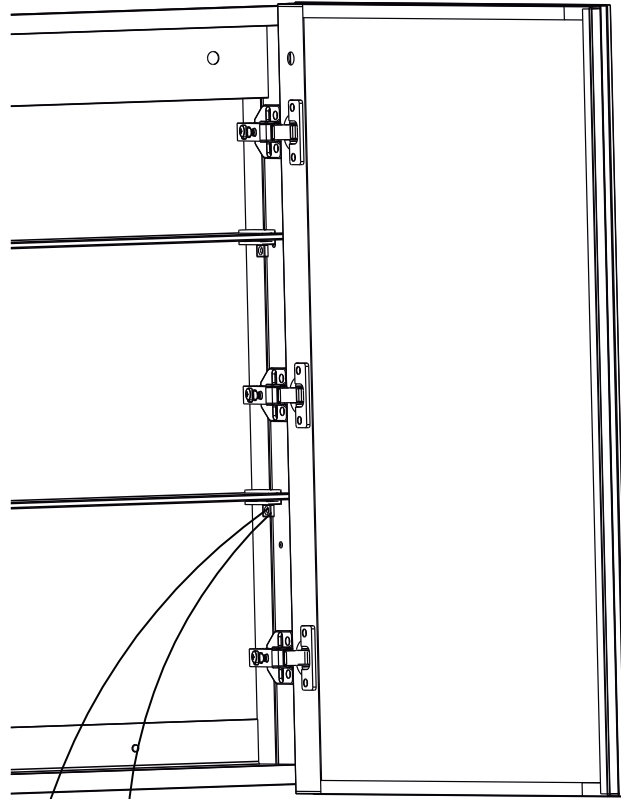
⚠ Warning: The distance between the door and the cabinet should not be too small, otherwise the door can't be opened and may lead to the door rupture.



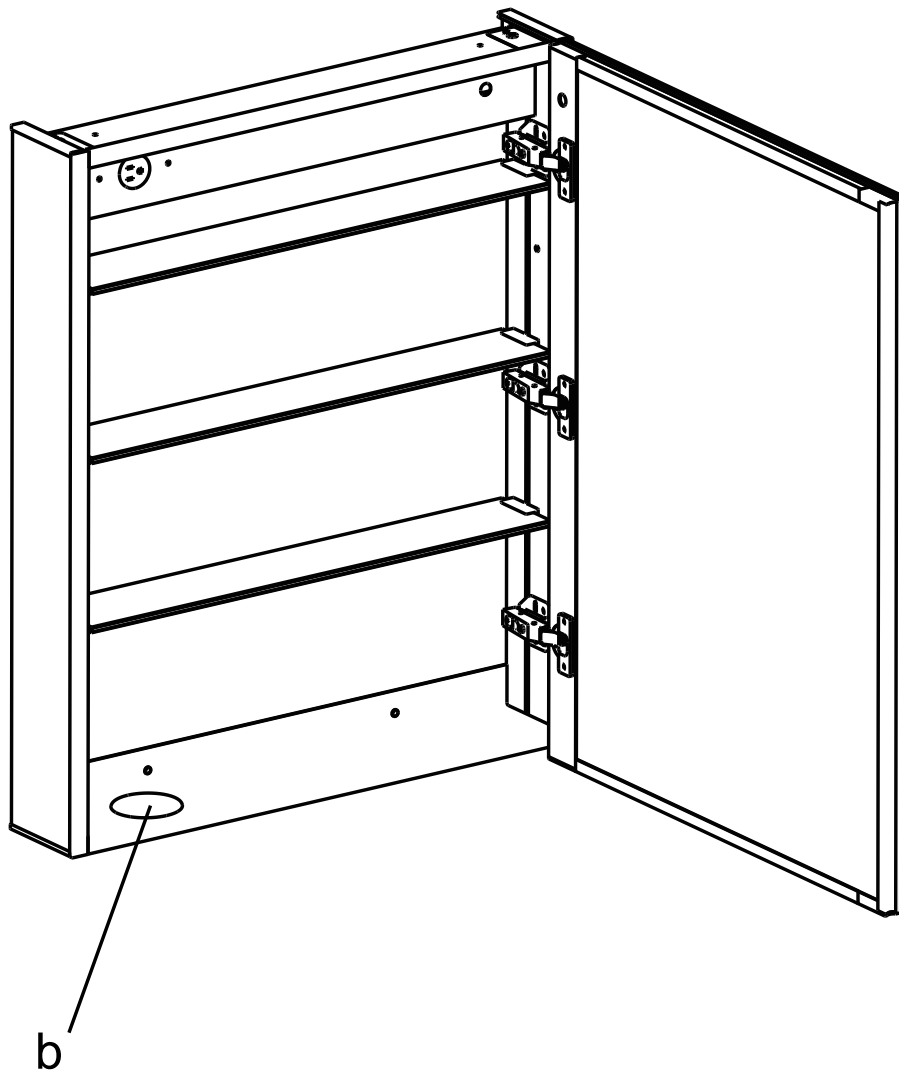
4. Loosen the snap screw (d) of the shelf to adjust the shelf position

⚠ Safety Warning

- Do not disassemble the door unless necessary



Please take your phone in the cabinet's wireless charger "b" to battery charging



**Retain these installation instructions for future reference!**  
**Thank you for using Fine Fixtures!**



206 WEMBLY ROAD - NEW WINDSOR, NY 12553  
P: 718.602.6060 F: 718.963.2082 - E: INFO@FINEFIXTURES.COM  
TOLL FREE: 1.877.8FIXTURES  
FINEFIXTURES.COM

