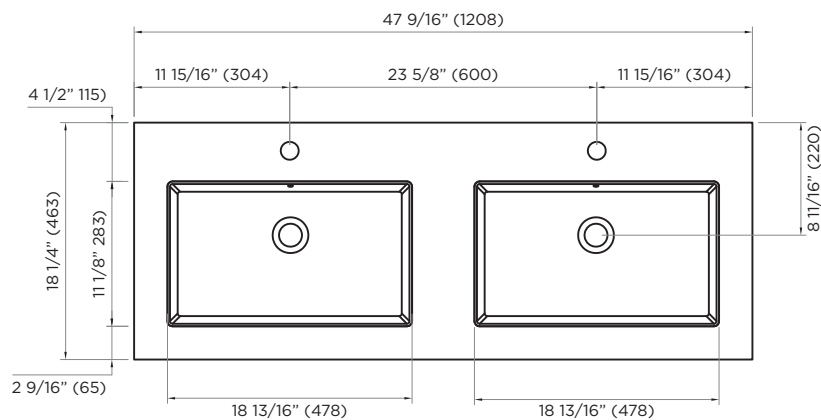


SPECIFICATIONS / TECHNICAL DATA

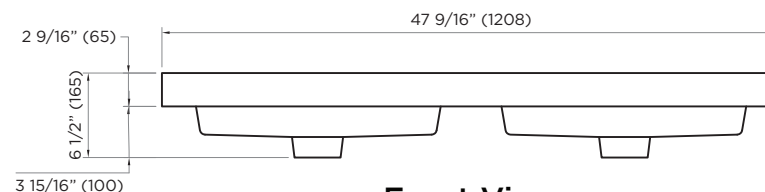
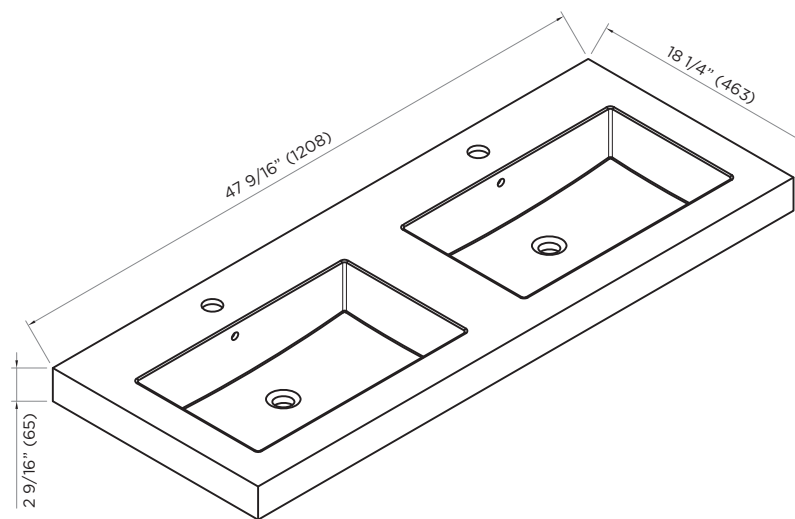
EDGEDALE

DOUBLE SINK

48" X 18"



Top View



Front View

ATTENTION! Dimensions may vary by up to 3/8". It is highly recommended to pull all dimensions of actual model for installation and measuring purposes.

MODEL# VET4818-D