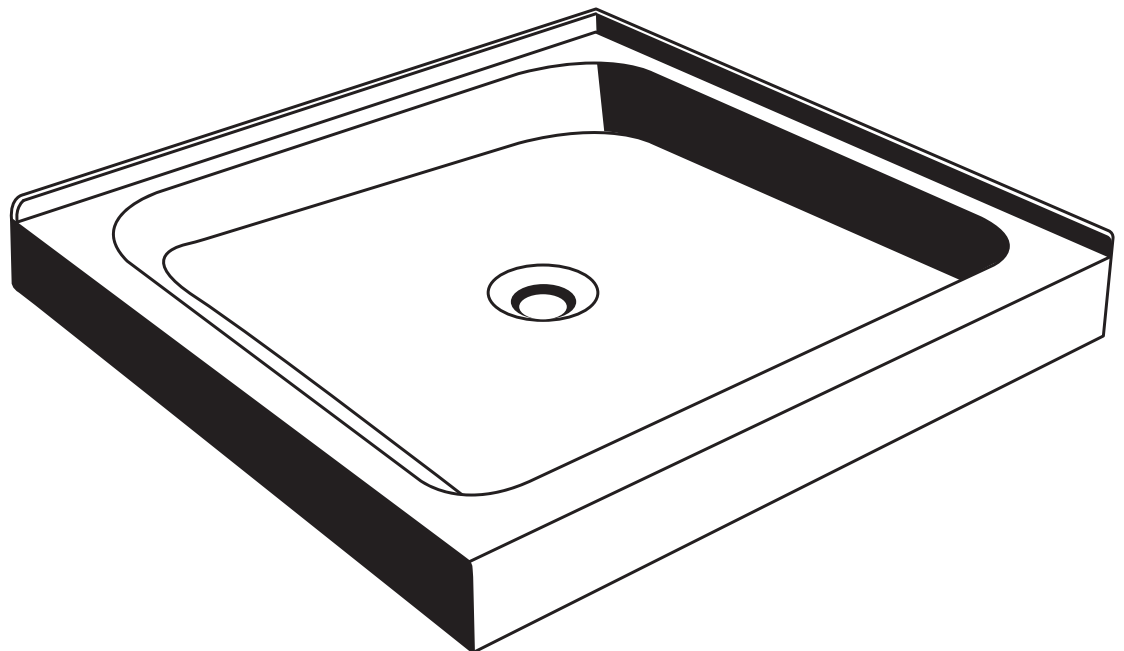


# INSTALLATION INSTRUCTIONS

## DOUBLE THRESHOLD **SHOWER BASE**



**MODEL # SBA**



**READ ALL INSTRUCTIONS BEFORE UNPACKING THE PRODUCT**

INSTRUCTIONS THAT, IF IGNORED, COULD RESULT IN DEATH OR SERIOUS INJURY CAUSED BY INCORRECT HANDLING OR INSTALLATION OF THE PRODUCT. THESE INSTRUCTIONS MUST BE OBSERVED FOR SAFE INSTALLATION.

**CAUTION!**



**TWO PERSON  
LIFT REQUIRED**

**TWO (2) PEOPLE ARE REQUIRED TO LIFT DURING  
ENTIRE INSTALLATION PROCESS OF THIS PRODUCT.**



**INSTALLATION OF THIS PRODUCT BY AN  
INEXPERIENCED INSTALLER MAY RESULT  
IN PERSONAL INJURY OR DEATH!**



We reserves the right to change, update, modify, alter, redesign this manual/product or its policies without prior notice!  
It is your responsibility to visit the website to download or contact customer service for the most updated version of the installation instructions.

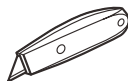
We shall not be liable for any injuries or property damages in connection with this product during installation or use of this product!

- Limited warranty is void on any commercial installation.
- We are not responsible for local code compliance for this product.
- Building and plumbing codes may vary from state-to-state in accordance to your location.
- We are not responsible for providing any compliance certifications.
- We are not responsible to provide any type of certifications for this product.
- Under no circumstances we shall not be liable for any and all incidental damages sustained in connection with this product Neither manufacture, nor distributor, nor retailer is responsible for water damage or flood caused due to use of this product.
- Under no circumstances We shall not be liable for any and all fees, cost of installation/reinstallation/removal, subsequent damage or transportation in case of the product defect.

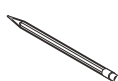
**TOOLS REQUIRED**



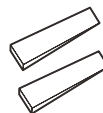
Safety glasses



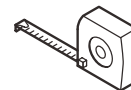
Utility knife



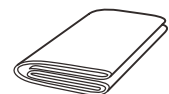
Pencil



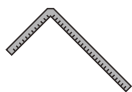
Shims



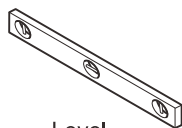
Tape measure



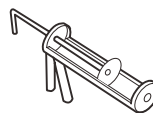
Drop cloth



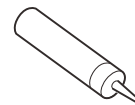
Square



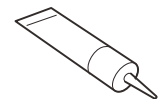
Level



Caulk gun



Adhesive



Sealant



Ø5 Drill bit



Drill



30mm screws



Extension bit



Phillips bit



1/4" trowel

🌀 Lumber for additional wall studs if installing wall set; refer to wall set installation instructions

**TIP: You may want to install insulation**

## REQUIREMENTS FOR A SUCCESSFUL INSTALLATION

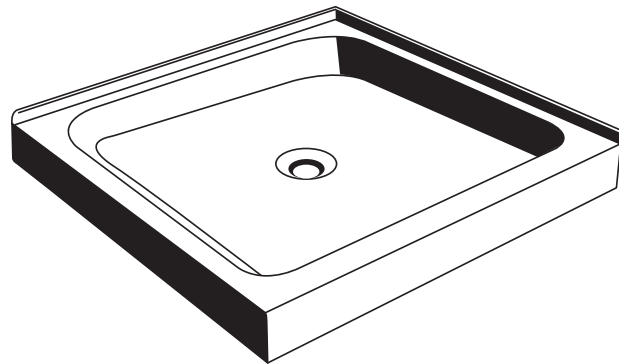


**DO NOT:** Use drywall screws to secure flanges to wall studs.  
Product damage will occur and will void the warranty.  
Entire bottom must be in contact with a flat, level surface.

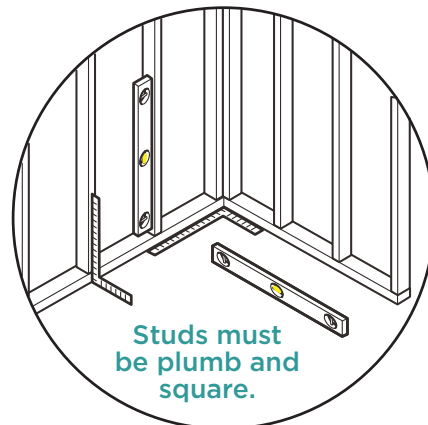
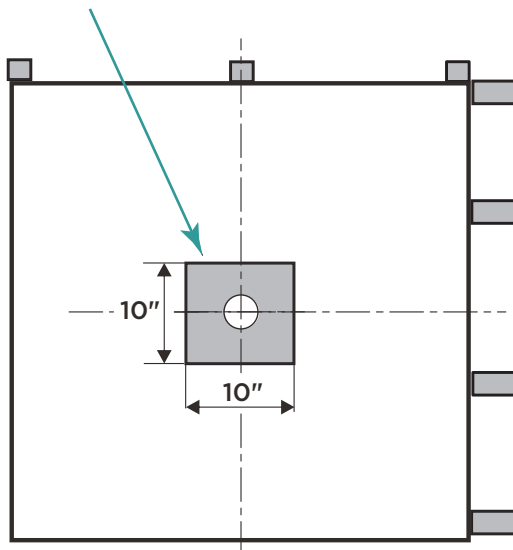
1. Read complete instructions before beginning installation.
2. Confirm that your model will fit in intended location and plumbing fixtures are located where required before beginning installation.
3. Walls and sub-floor must be solid, plumb, and square.
4. If installation surface is not level, use leveling compound or mortar bed for proper installation.
5. Use drop cloth to protect bathtub from damage during installation.
6. Two people recommended to install this product.

### ROUGHING-IN

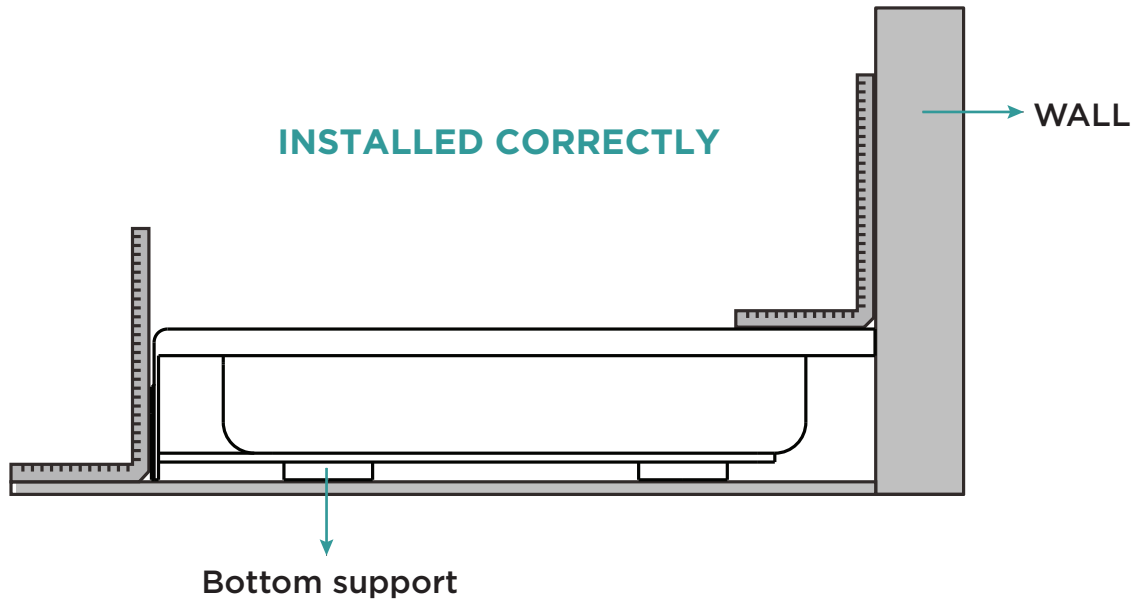
- \* Rough plumbing must be installed before bathtub installation.



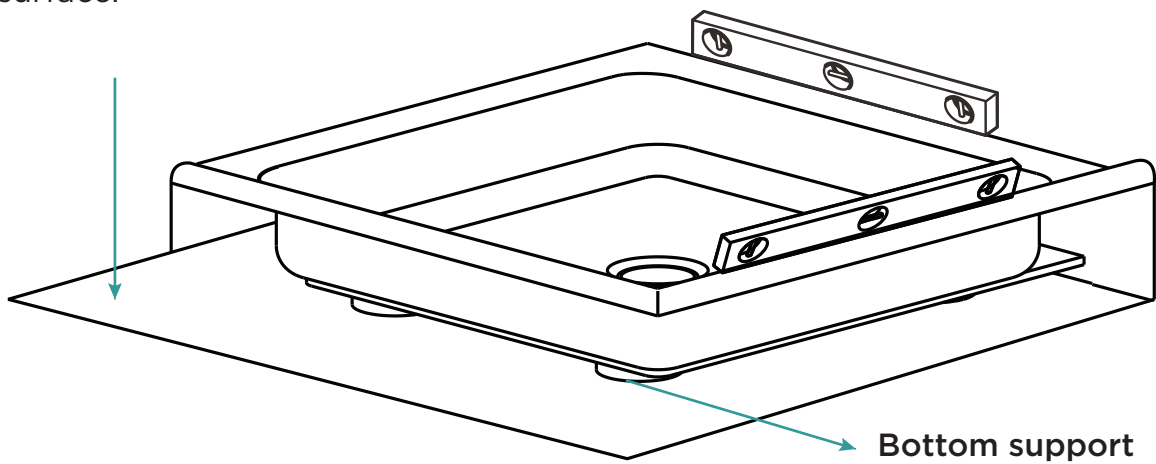
Right side plumbing rough-in shown



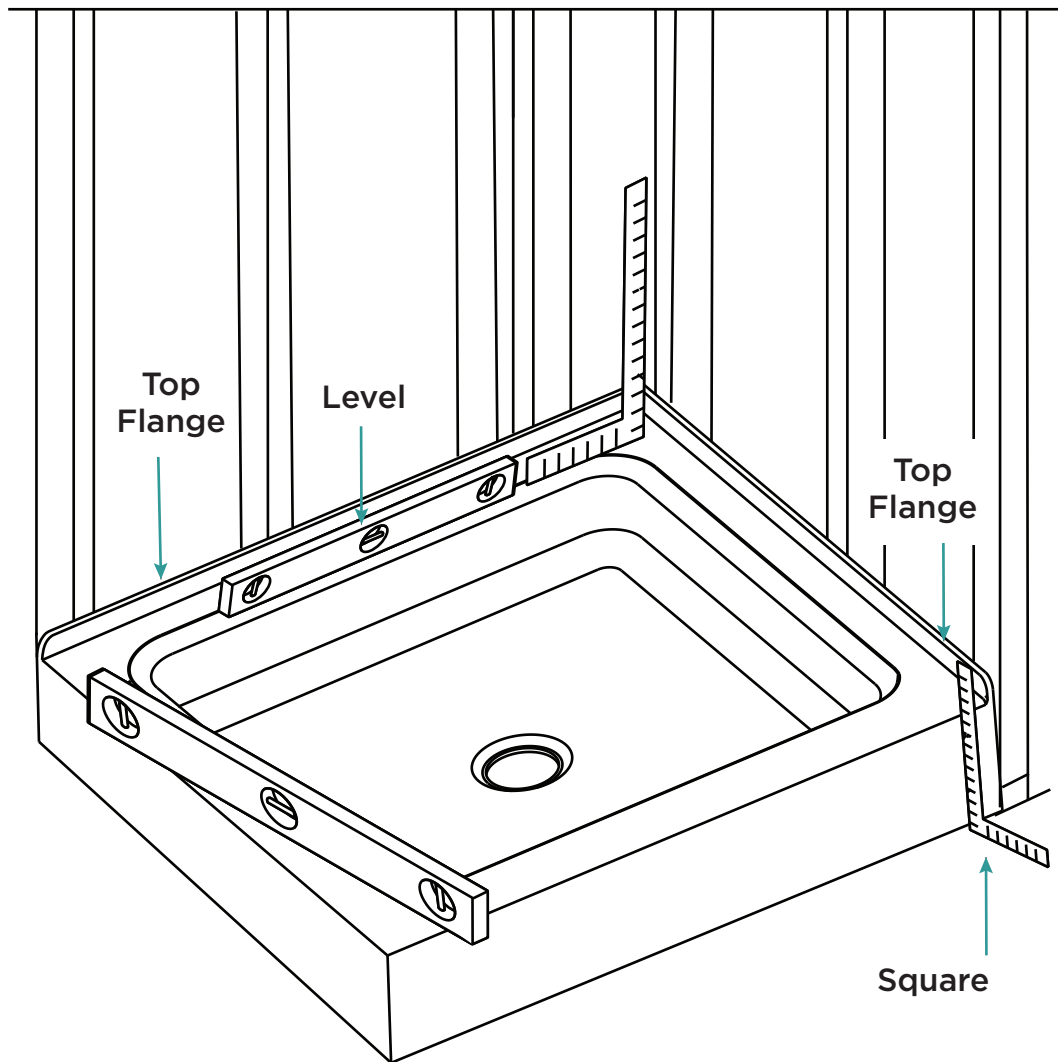
## STEP 1



To ensure base is installed correctly, entire bottom support must contact a flat, level surface.

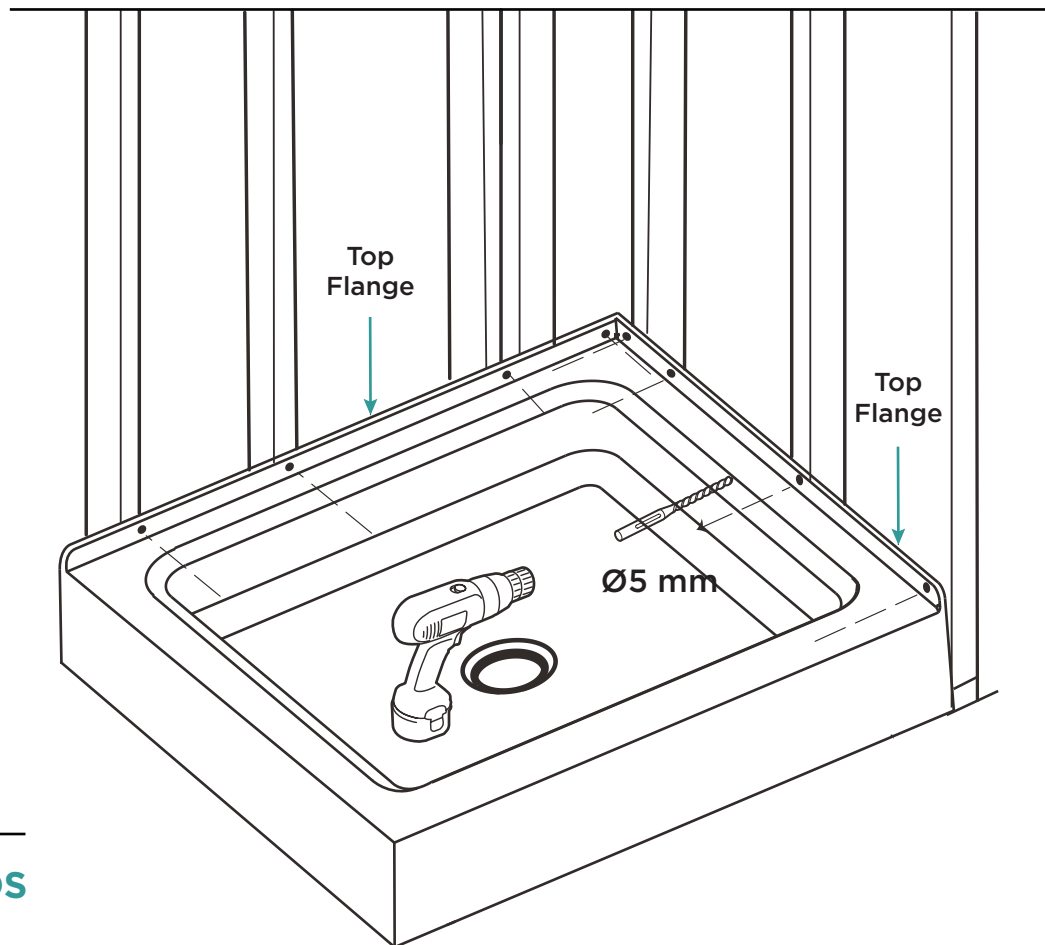


## STEP 2



- ⦿ Do not install the product with any air gaps under the bottom support or product damage will occur.
- ⦿ TIP: If installation surface is not leveled, use leveling compound or mortar bed for proper installation.

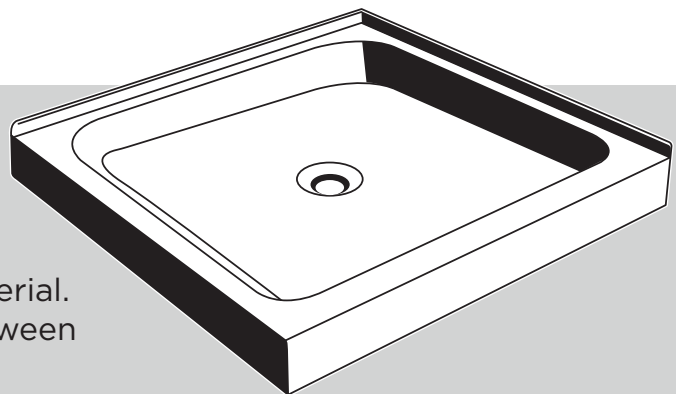
### STEP 3



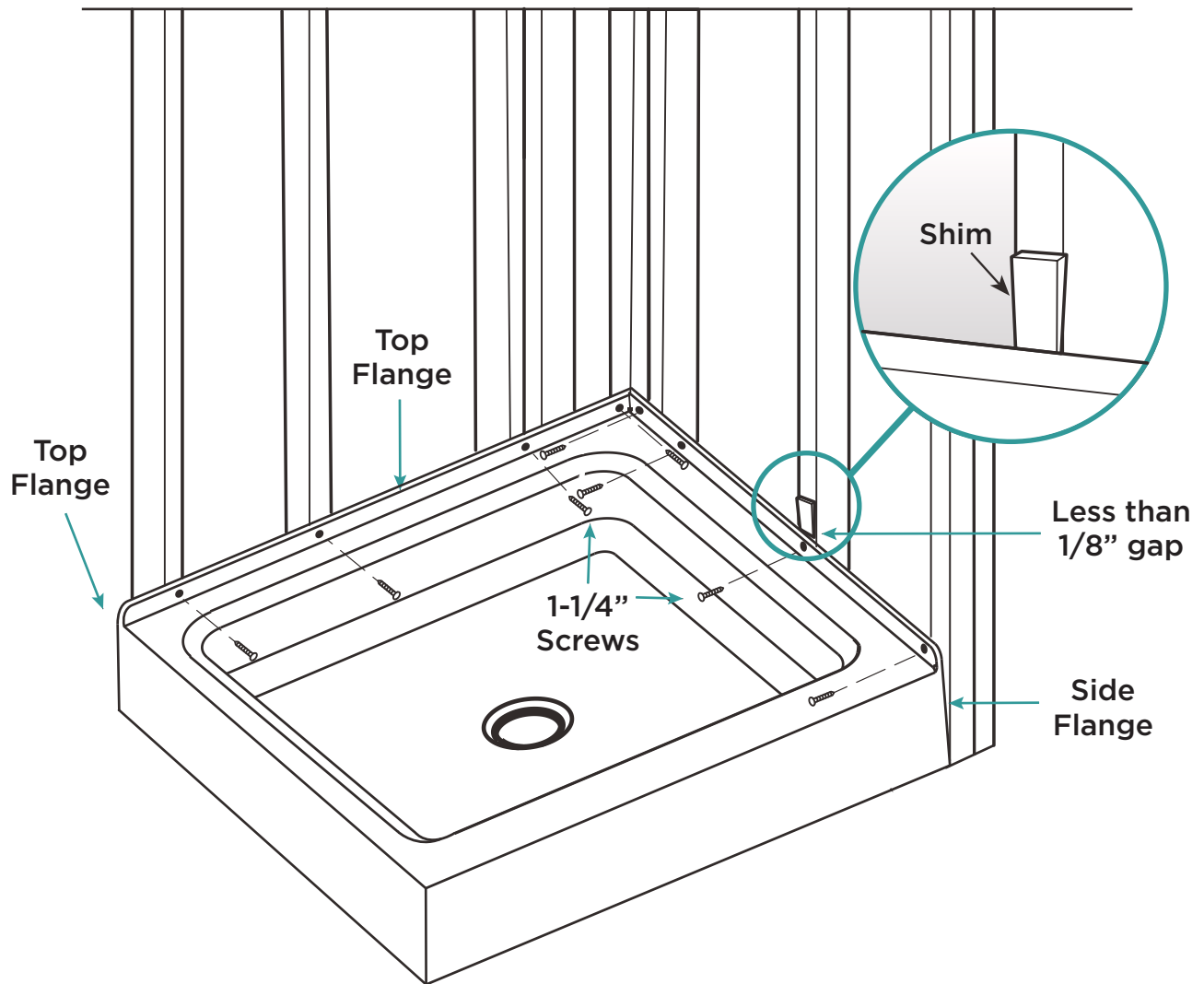
### MARK STUDS LOCATION



Plumber's putty will degrade Base material.  
Do not use plumber's putty to seal between  
drain and base.  
Use latex/acrylic sealant or a gasket.



## STEP 4



**TIP:** Place drop cloth in bathtub and stand inside bathtub to press it to floor when securing to wall studs.

RETAIN THIS INSTALLATION MANUAL  
FOR FUTURE REFERENCE.

Thank you for choosing FINE FIXTURES.