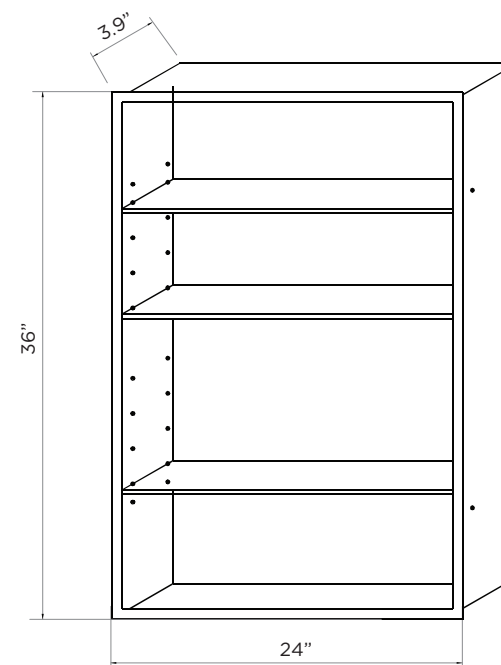
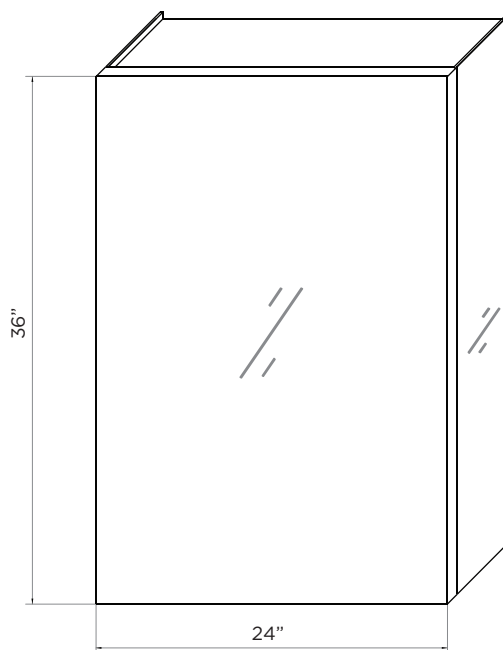


SPECIFICATIONS / TECHNICAL DATA

MEDICINE CABINET ALUMINUM

24" x 36"

**CUTOUT DIMENSIONS:
23 3/8" X 35 3/8" X 4 5/8"**



ATTENTION! Dimensions may vary by up to 3/8". It is highly recommended to pull all dimensions of actual model for installation and measuring purposes.

MODEL# AMA2436-1