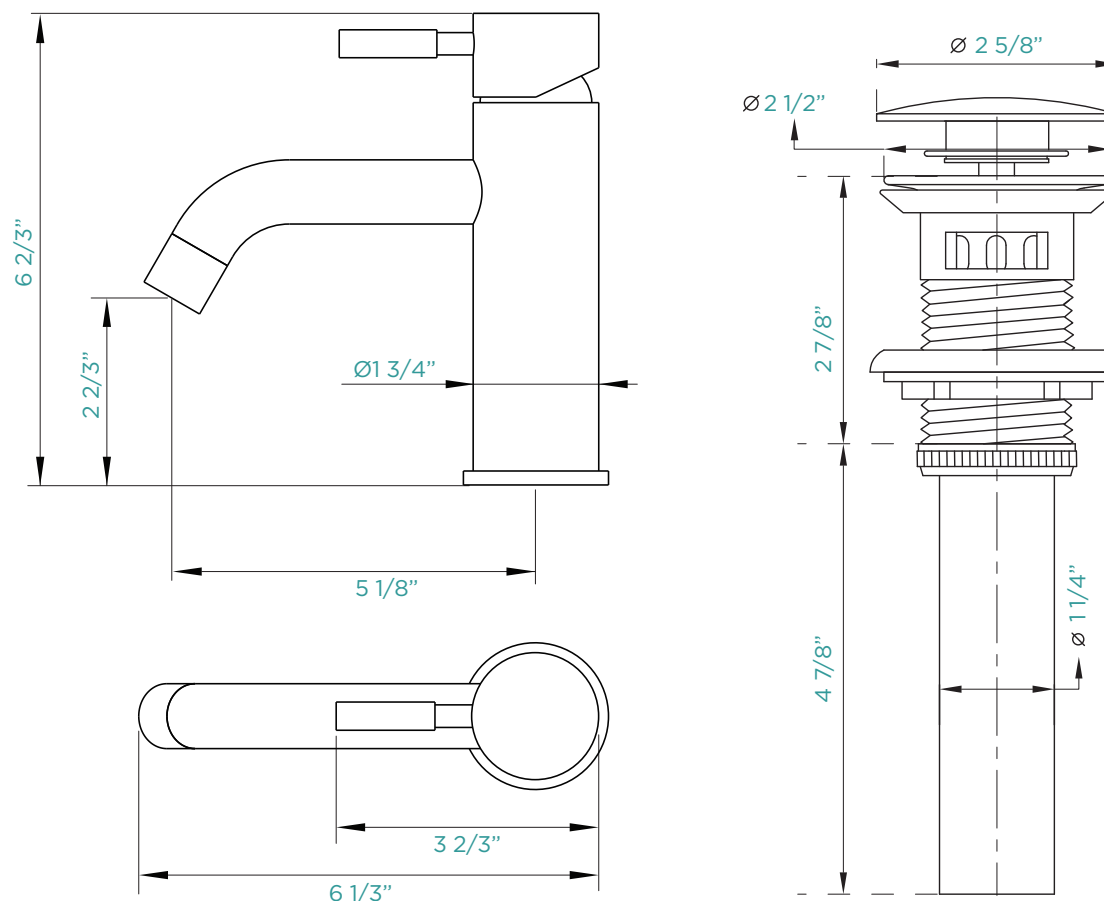


**SPECIFICATIONS / TECHNICAL DATA**

**FAUCET  
& POP UP  
DRAIN**



*ATTENTION! Dimensions may vary by up to 3/8". It is highly recommended to pull all dimensions of actual model for installation and measuring purposes.*

**MODEL# FAD2**