

# INSTALLATION INSTRUCTIONS

## TWO PIECE TOILET

---



**MODEL# MTTB15W**



**READ ALL INSTRUCTIONS BEFORE UNPACKING THE PRODUCT**



INSTRUCTIONS THAT, IF IGNORED, COULD RESULT IN DEATH OR SERIOUS INJURY CAUSED BY INCORRECT HANDLING OR INSTALLATION OF THE PRODUCT. THESE INSTRUCTIONS MUST BE OBSERVED FOR SAFE INSTALLATION.

**ATTENTION!**



**2 PEOPLE ARE REQUIRED TO LIFT AND DURING ENTIRE INSTALLATION OF THIS PRODUCT**



**INSTALLATION OF THIS PRODUCT BY AN INEXPERIENCED INSTALLER MAY RESULT IN PERSONAL INJURY OR DEATH!**



We reserves the right to change, update, modify, alter, redesign this manual/product or its policies without prior notice! It is your responsibility to visit the website to download or contact customer service for the most updated version of the installation instructions.

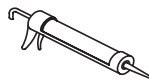
We shall not be liable for any injuries or property damages in connection with this product during installation or use of this product!

- Limited warranty is void on any commercial installation.
- We are not responsible for local code compliance for this product.
- Building and plumbing codes may vary from state-to-state in accordance to your location.
- We are not responsible for providing any compliance certifications.
- We are not responsible to provide any type of certifications for this product.
- Under no circumstances we shall not be liable for any and all incidental damages sustained in connection with this product Neither manufacture, nor distributor, nor retailer is responsible for water damage or flood caused due to use of this product.
- Under no circumstances We shall not be liable for any and all fees, cost of installation/re-installation/removal, subsequent damage or transportation in case of the product defect.

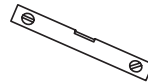
## TWO PIECE TOILET



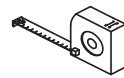
## TOOLS REQUIRED FOR INSTALLATION



Silicone



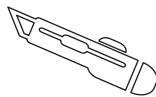
Level



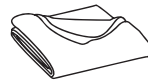
Tape Measure



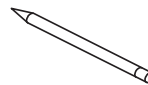
Socket extension



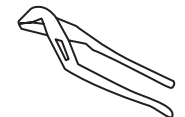
Knife



Soft Cloth



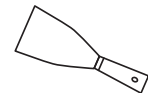
Pencil / Marker



Channel Pliers



Safety Glass



Putty Knife



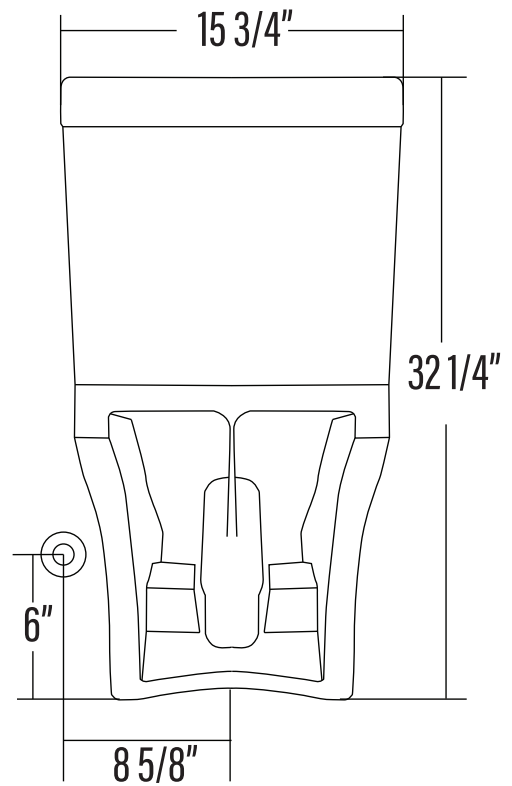
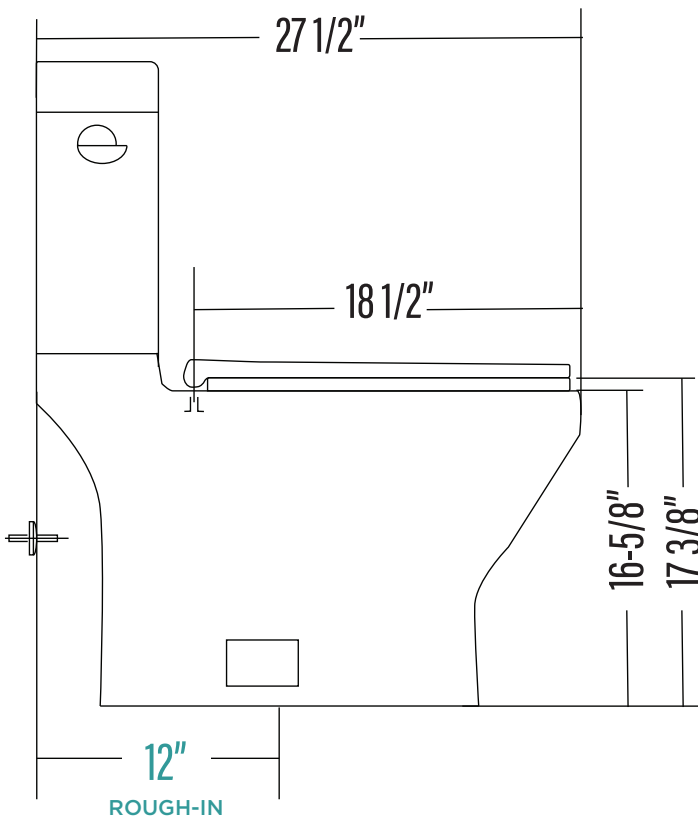
Wrench



Wrench



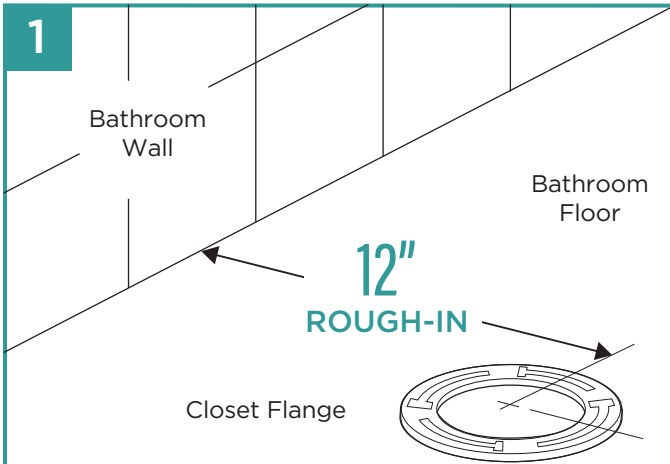
**DIMENSIONS/TECHNICAL DATA**  
**MODEL# MTTB15W**



**ATTENTION!** Dimensions may vary by up to 3/8". It is highly recommended to pull all dimensions of actual model for installation and measuring purposes.



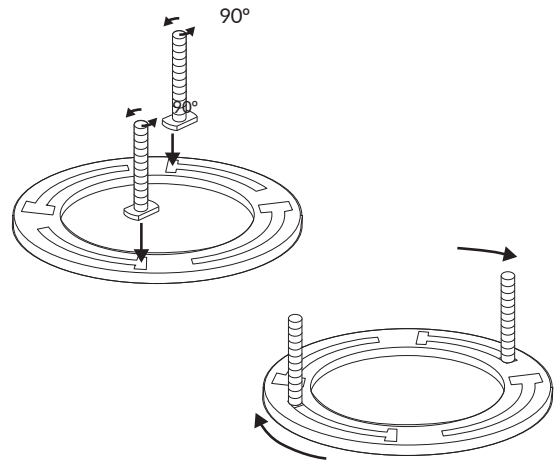
1



### PREPARE CLOSET FLANGE

- Make sure that rough-in is 12" by measuring the distance from the wall to the center of the closet flange.

2



- Insert 2 floor bolts inside of the toilet flange
- Slide the closet bolts through the holes and align bolts horizontally.

3

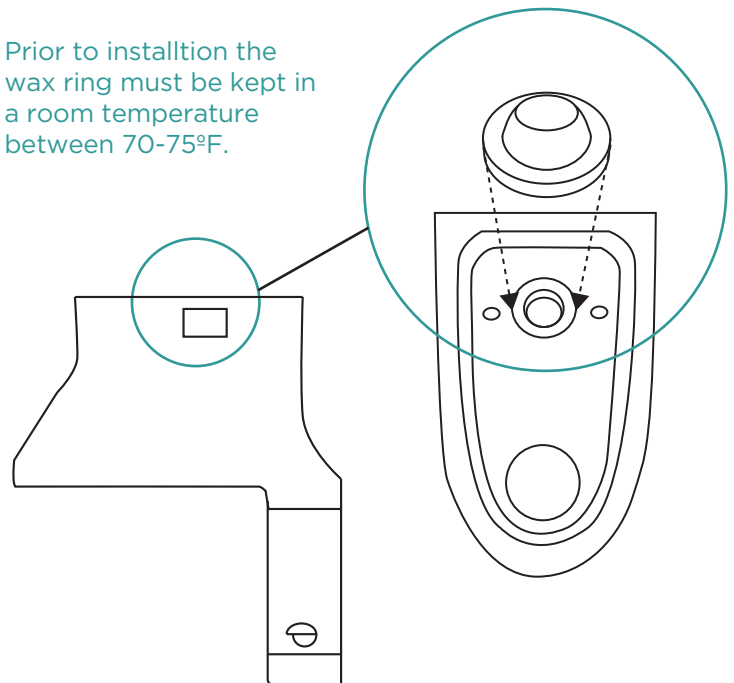
### INSTALL WAX RING

- Cover the floor with a soft-close blanket.
- Carefully turn the toilet on it's side or upside-down on the blanket with assistance of a second person.
- Install wax ring over the horn discharge located on the bottom of the toilet's bowl.

#### Note: Ceramic is a fragile material.

- You must always cover the floor with a soft-cloth blanket if you want to put the toilet on the floor on any side other than the bottom of the toilet.
- If you do not cover the floor with a soft-close blanket contact of the toilet with the floor may and will cause minor or moderate scratches on the toilet's surface.

Prior to installation the wax ring must be kept in a room temperature between 70-75°F.



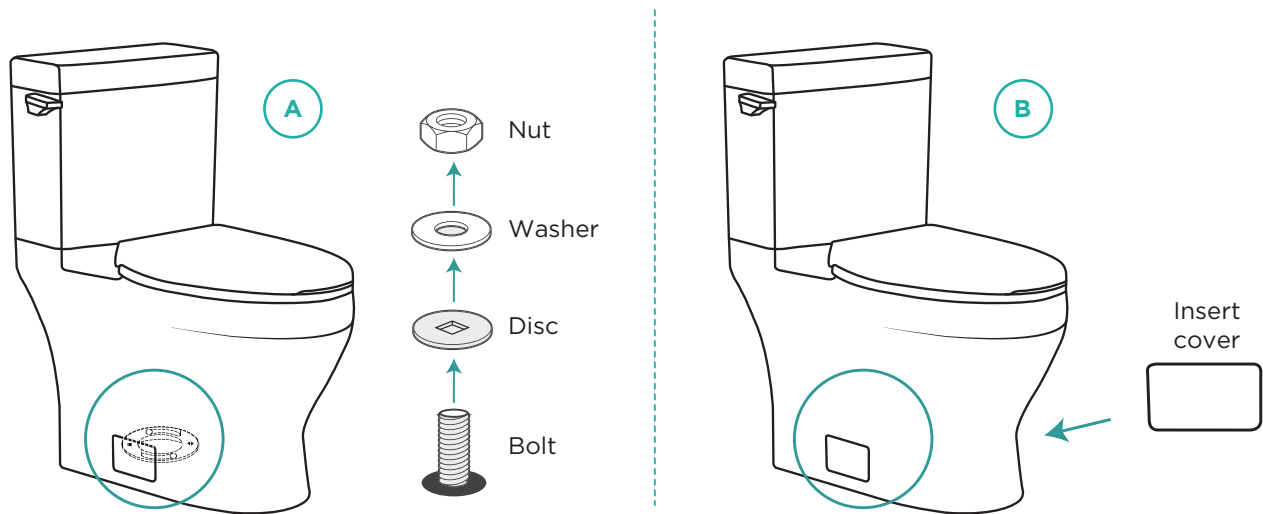
Always Use Soft-Cloth Blanket



4

## INSTALL CLOSET BOLTS

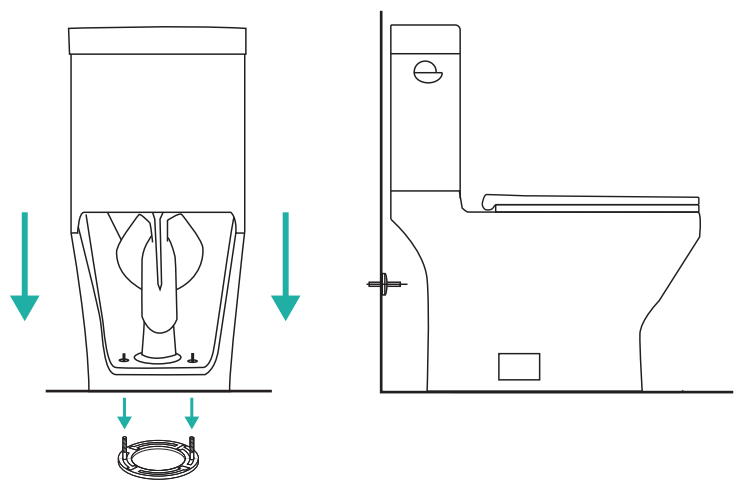
- Once the toilet is leveled install washers and nuts over the closet bolts.
- Tighten nuts.
- Do not overtighten the nuts, It may and will cause damage to the base.



5

## INSTALL NEW TOILET

- Lift and carefully put the toilet over the closet flange so the closet bolts can go through the mounting holes in the toilet's base.
- Once the bowl is in the position press the bowl down with slight twisting motion in level position towards the floor.
- Apply your body weight to evenly compress the wax ring to create watertight seal.
- Make sure that the bowl is as leveled as possible to have a nice seal tight.
- Do not rock the toilet back and forth and side to side as it may and will break a seal and you will need to replace the wax ring again and start the installation process over.

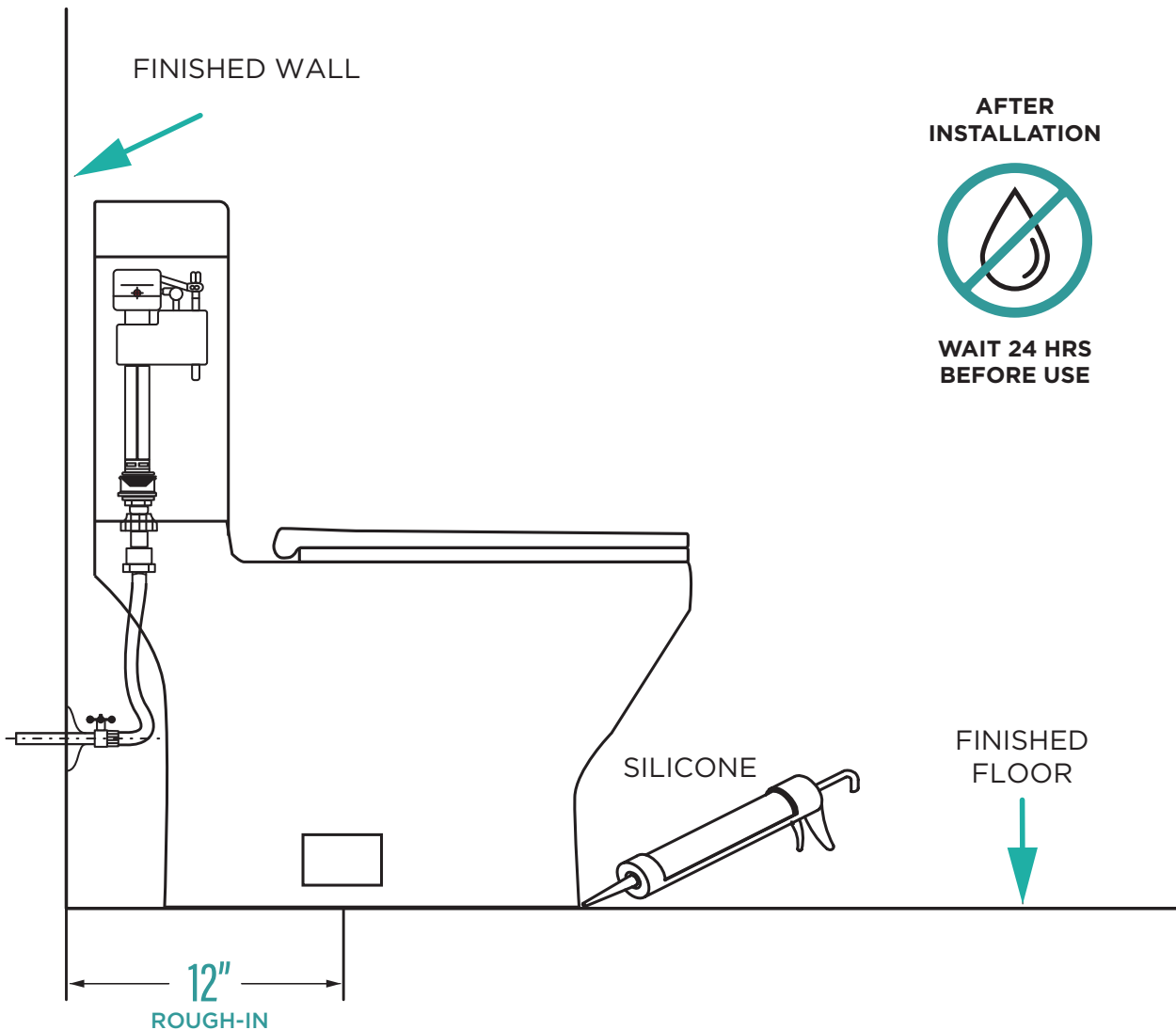




6

## CONNECT TANK TOILET TO WATER SUPPLY LINE

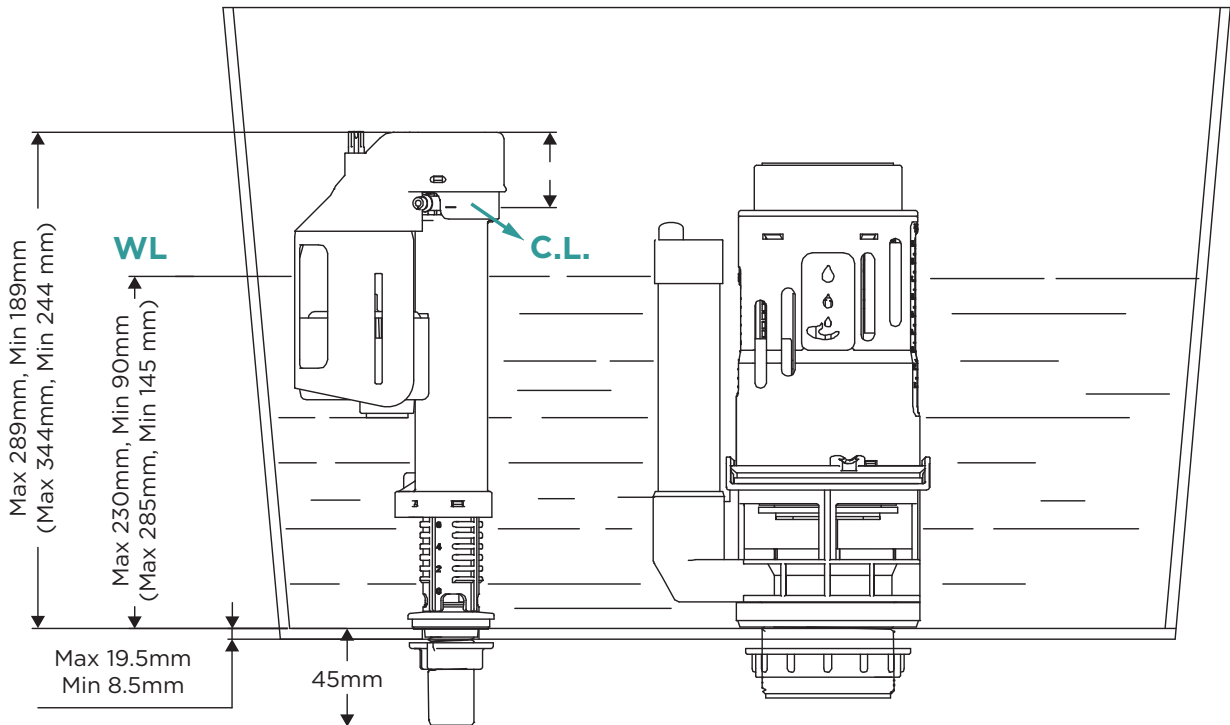
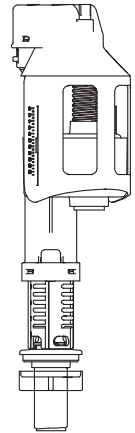
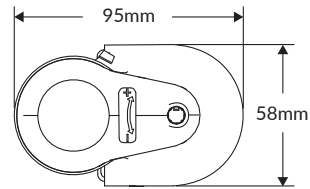
- Connect the water supply line between the tank and water shut-off valve using a toilet hose.
- When connecting toilet hose tighten coupling nut to the tank by 1/4 turn beyond the hand tight.
- Turn on valve on water supply line and allow tank to fill.
- Check all connections for leakages and tighten as needed.
- Once tank is filled with water flush it 4-5 times to perform a test of the flushing system.
- At the same time check the bottom of the toilet for leaks to make sure that the wax ring is properly installed and sealed.





## ADJUSTMENT & MAINTENACE (FILL VALVE)

- When valve installed, the critical level mark on fill valve (identified by C.L. mark on valve body) should be at least 1" above top of the over flow pipe.
- Required: Water temperature: 36-112°F
- Under no circumstances seller shall not be liable for any and all incidental damages sustained in connection with this product, neither manufacture, nor distributor, nor retailer is responsible for water damage or flood caused due to use of this product.

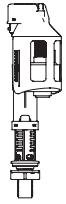


IMPORTANT NOTE: FLUSH GPF AMOUNT IS FACTORY SET. NO ADDITIONAL ADJUSTMENT IS REQUIRED.  
THIS PAGE IS FOR REFERENCE ONLY. - ALL ADJUSTMENTS ARE ALREADY MADE BY MANUFACTURER.  
DO NOT USE OR DROP ANY CHLORINE OR ANY OTHER CHEMICALS. USE OF CHEMICAL PRODUCTS WILL RESULT  
IN DAMAGE TO THE FILL VALVE AND FLUSH VALVE COMPONENTS AND MAY CAUSE FLOOD AND PROPERTY DAMAGE.

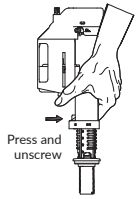


## WATER LEVEL ADJUSTMENT

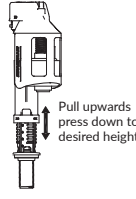
Remove the worn-out fittings and clean your tank prior to the installation of the new ones. There might be a lot of impurities in your tank that may cause damage to the new parts if you do not clean them out. The tank must be absolutely clean prior to installation.



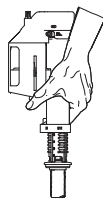
Check fill valve, make sure that it does not have any damaged or missing parts



Press and unscrew



Pull upwards press down to desired height



Unscrew clockwise and fasten valves

### SOLUTION 1:

Press buckle and unscrew. Pull the valve upwards or press down to desired height. Unscrew the valve body and fasten the buckle

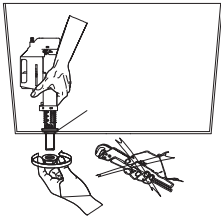
Rotate screw to adjust desired water level →



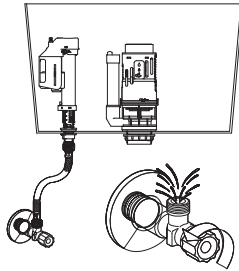
### SOLUTION 2:

Rotating screw, rise or lower the water level. Adjust water level to suitable position (water volume will gradually increase when is moved upward from the bottom.)

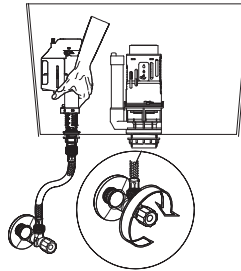
## FILL VALVE INSTALLATION



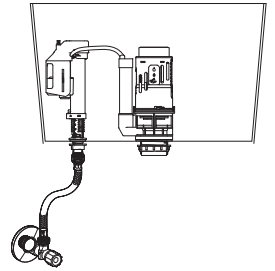
Install the valve into tank. Do not use any wrench tools. Fasten with hand only.



Connect water supply to the fill valve. Turn on water.



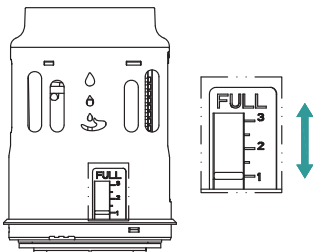
Turn off water supply valve before height adjustment of the toilet's fill valve.



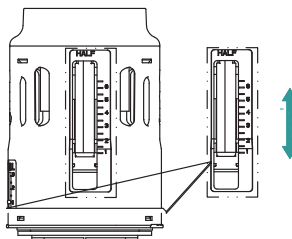
Put the refill tube into the white cap hole firmly.

## FLUSH VOLUME ADJUSTMENT

### Full Flush



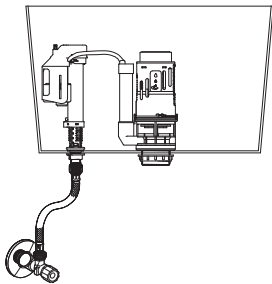
### Half Flush



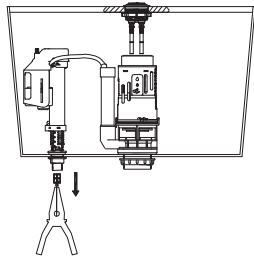
Full flush and half Flush range will decline when the button is moved upward from the bottom.



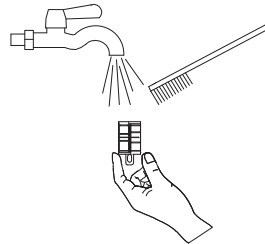
## FILL VALVE CLEANING



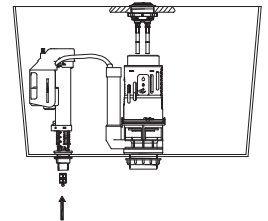
Shut off water supply line before filter cleaning.



Carefully, take out the filter from inlet by using pliers.



Use water to wash and clean the filter and adapter from any debris.



Re-install the filter and re-connect the water supply line.

## TROUBLESHOOTING

ISSUE	CAUSE	SOLUTION	SOLUTION #4
Water level is too high or too low	Improper water level adjustment	Adjust the water level	
Fill valve fails to shut off or fails to fill the water into the toilet's tank	<ol style="list-style-type: none"> <li>1. Inlet valve switch is turned on.</li> <li>2. Inlet valve float crashed against ceramic wall</li> <li>3. Filter screen is clogged due to dirty water</li> <li>4. Improper refill hose installation</li> </ol>	<ol style="list-style-type: none"> <li>1. Turn on inlet valve switch</li> <li>2. Adjust inlet valve position</li> <li>3. Clean the filter screen</li> <li>4. Install refill hose correctly (see diagram on the right)</li> </ol>	

## IMPORTANT! MAINTENANCE & CARE

**DO NOT USE:** Abrasive cleaners such as: acid, ammonia, bleach, and similar solutions.

Use of such solutions may cause corrosion and finish peeling, and/or dull the surface.

**DO NOT USE:** Abrasive sponges or cloth, steel, wool, or wired brushes that will permanently scratch the surface.

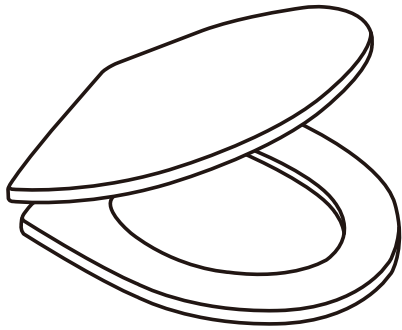
## FILL/FLUSH VALVES MAINTENANCE & CARE

**DO NOT USE:** Chlorine or any other chemicals into the tank. Use of chemical products will result in damage to the fill valve and flush valve components and may cause flood and property damage

**NOTE:** fill and flush valves are maintenance free. No maintenance is required.



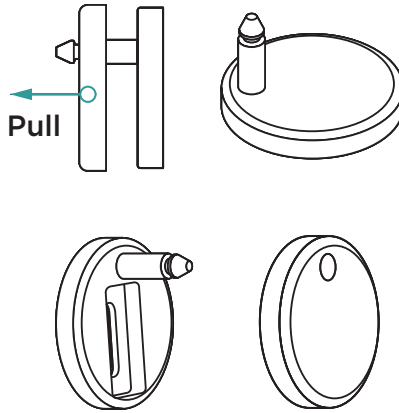
# TOILET SEAT INSTALLATION



**A**

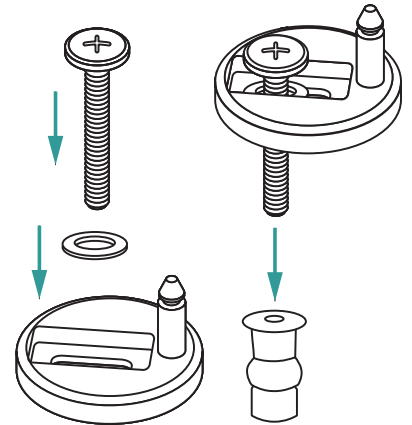
## PREPARATION

Separate the cover cap from the hinge.



**B**

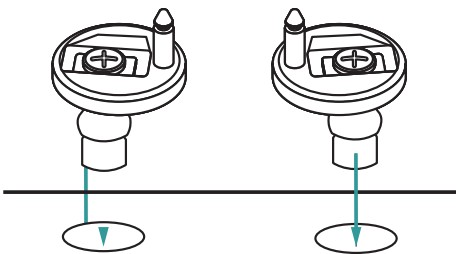
## ASSEMBLE HINGES



**C**

## INSTALL HINGES

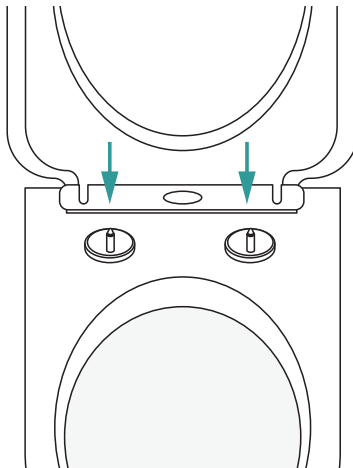
Insert hinges with blind hole screw fixings attached into holes on toilet bowl.



**D**

## ATTACH SEAT

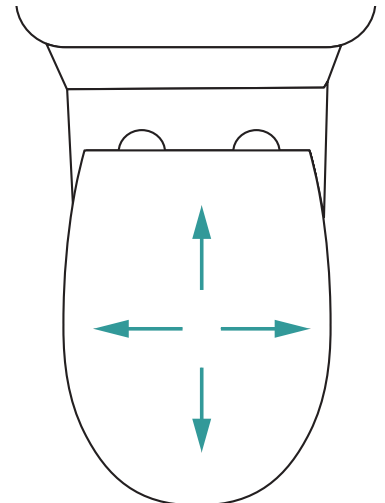
Align seat to the hinges, then light tighten the hinges. Attach seat to the hinges.



**E**

## ADJUST SEAT

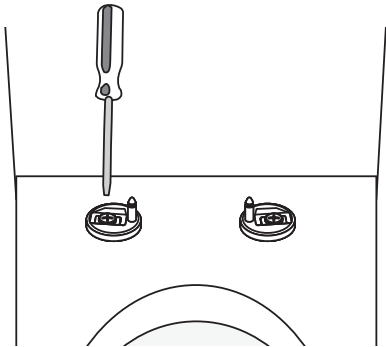
Adjust seat to align to the bowl.



**F**

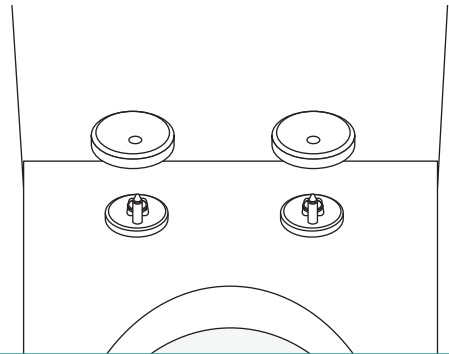
### TIGHTEN HINGES

Tighten hinges with a screwdriver after alignment

**G**

### COVER HINGES

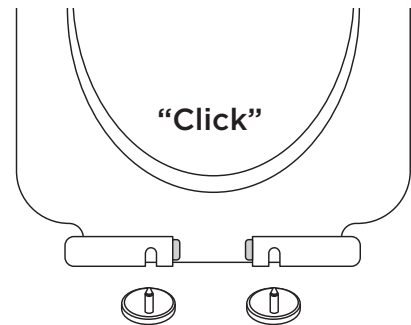
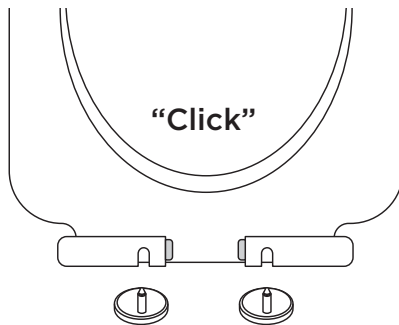
Place the covers onto the hinges.

**H**

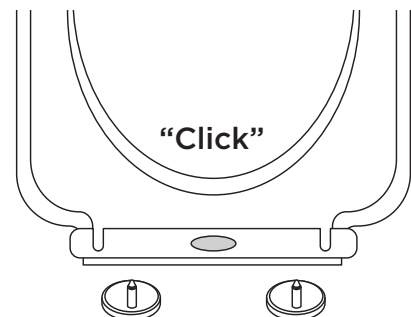
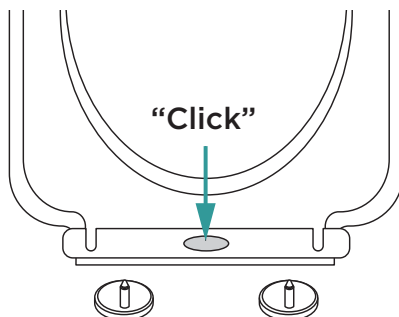
### TOILET SEAT USAGE

- To remove, push middle button until you hear a “click”, then pull straight up.
- To re-install, align hinge posts with reference marks on seat, then push down until you hear a “click”.

#### TWO BUTTON SEAT TYPE



#### ONE BUTTON SEAT TYPE





206 WEMBLY ROAD - NEW WINDSOR, NY 12553  
P: 718.602.6060 F: 718.963.2082 - E: INFO@FINEFIXTURES.COM  
TOLL FREE: 1.877.8FIXTURES  
[FINEFIXTURES.COM](http://FINEFIXTURES.COM)

