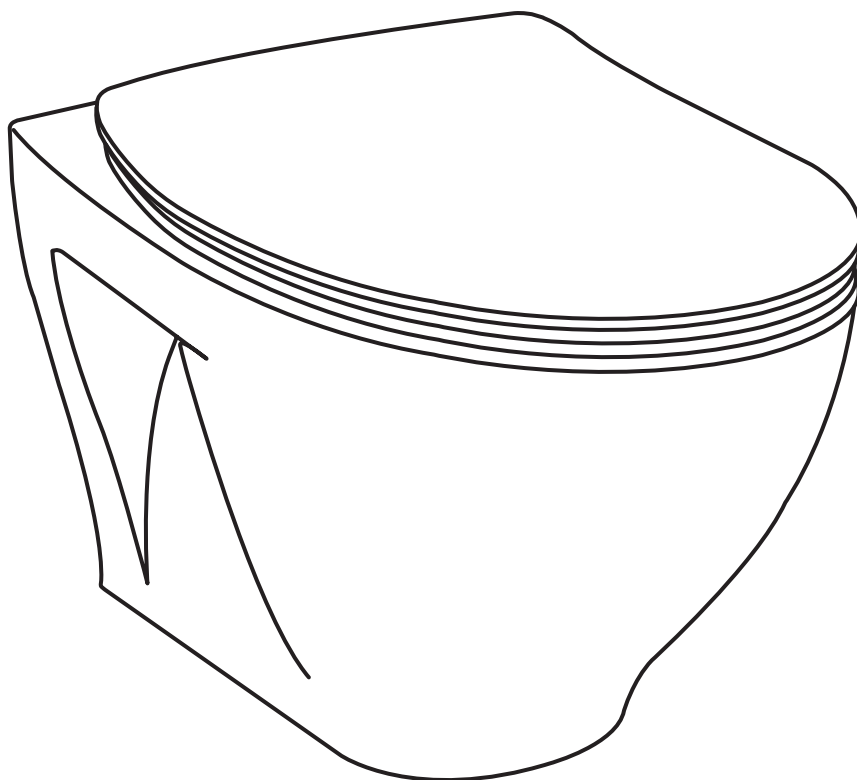


# INSTALLATION INSTRUCTIONS

## WALL HUNG TOILET



**MODEL# WT11RM**



**READ ALL INSTRUCTIONS BEFORE UNPACKING THE PRODUCT**



INSTRUCTIONS THAT, IF IGNORED, COULD RESULT IN DEATH OR SERIOUS INJURY CAUSED BY INCORRECT HANDLING OR INSTALLATION OF THE PRODUCT. THESE INSTRUCTIONS MUST BE OBSERVED FOR SAFE INSTALLATION.

**ATTENTION!**



**2 PEOPLE ARE REQUIRED TO LIFT AND DURING ENTIRE INSTALLATION OF THIS PRODUCT**



**INSTALLATION OF THIS PRODUCT BY AN INEXPERIENCED INSTALLER MAY RESULT IN PERSONAL INJURY OR DEATH!**

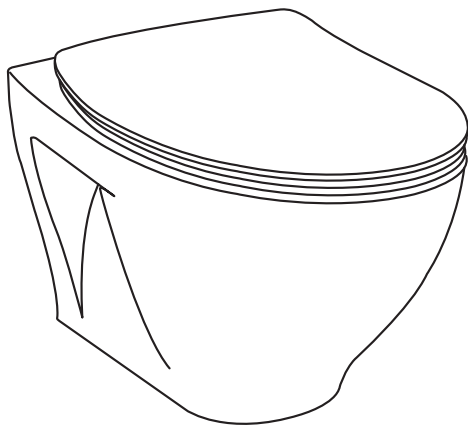


We reserves the right to change, update, modify, alter, redesign this manual/product or its policies without prior notice! It is your responsibility to visit the website to download or contact customer service for the most updated version of the installation instructions.

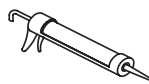
We shall not be liable for any injuries or property damages in connection with this product during installation or use of this product!

- Limited warranty is void on any commercial installation.
- We are not responsible for local code compliance for this product.
- Building and plumbing codes may vary from state-to-state in accordance to your location.
- We are not responsible for providing any compliance certifications.
- We are not responsible to provide any type of certifications for this product.
- Under no circumstances we shall not be liable for any and all incidental damages sustained in connection with this product Neither manufacture, nor distributor, nor retailer is responsible for water damage or flood caused due to use of this product.
- Under no circumstances We shall not be liable for any and all fees, cost of installation/re-installation/removal, subsequent damage or transportation in case of the product defect.

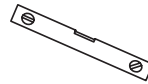
## WALL HUNG TOILET



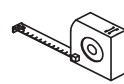
## TOOLS REQUIRED FOR INSTALLATION



Silicone



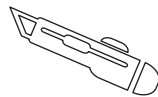
Level



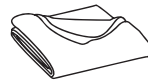
Tape Measure



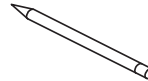
Socket extension



Knife



Soft Cloth



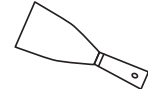
Pencil / Marker



Channel Pliers



Safety Glass



Putty Knife



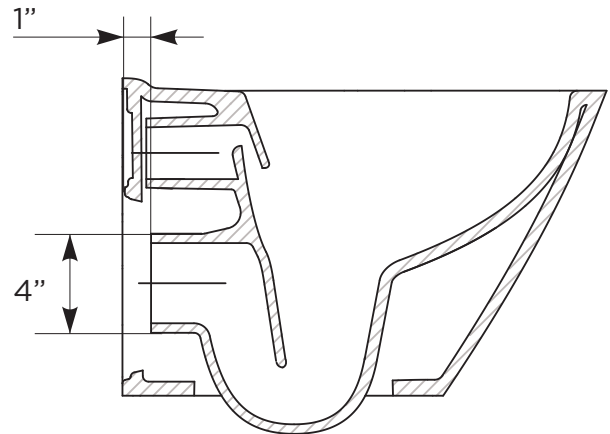
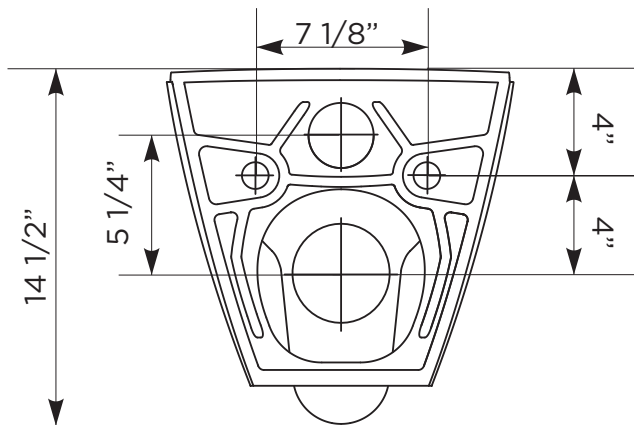
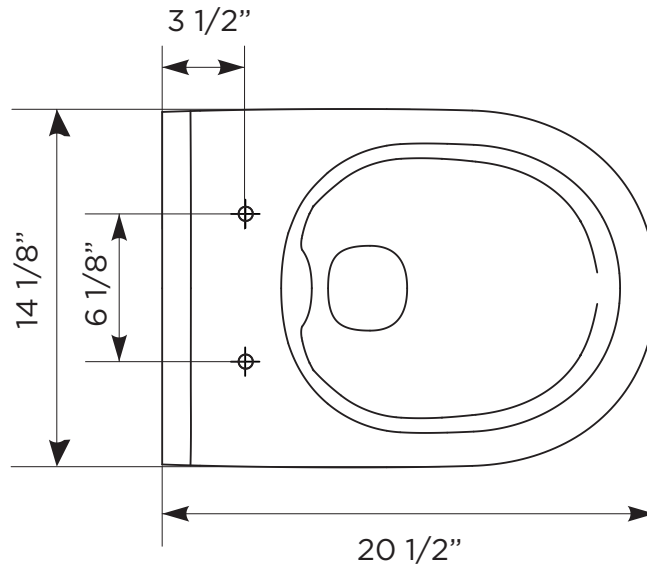
Wrench



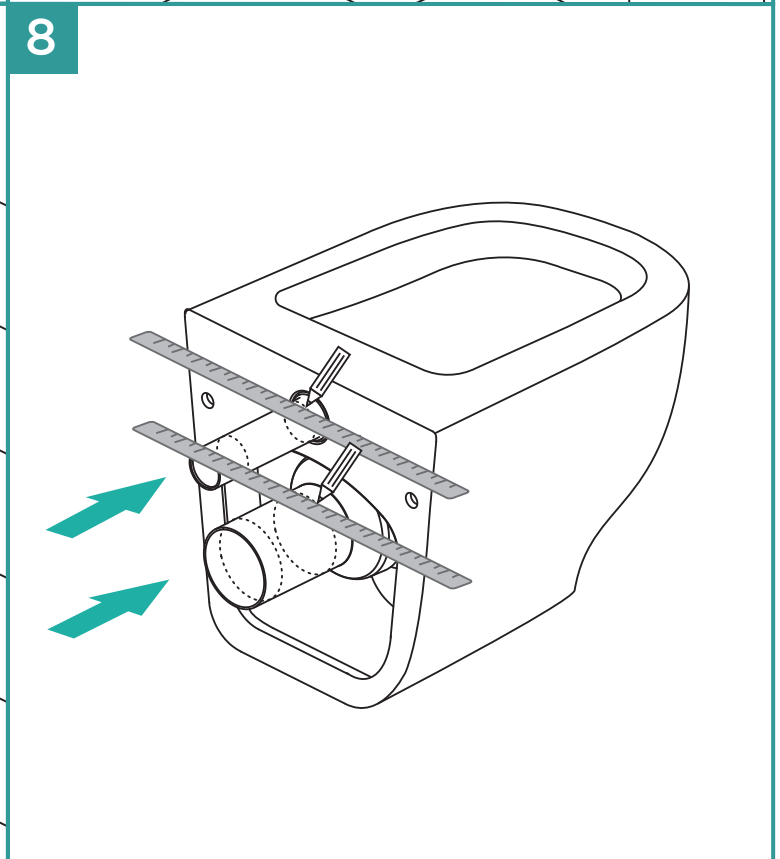
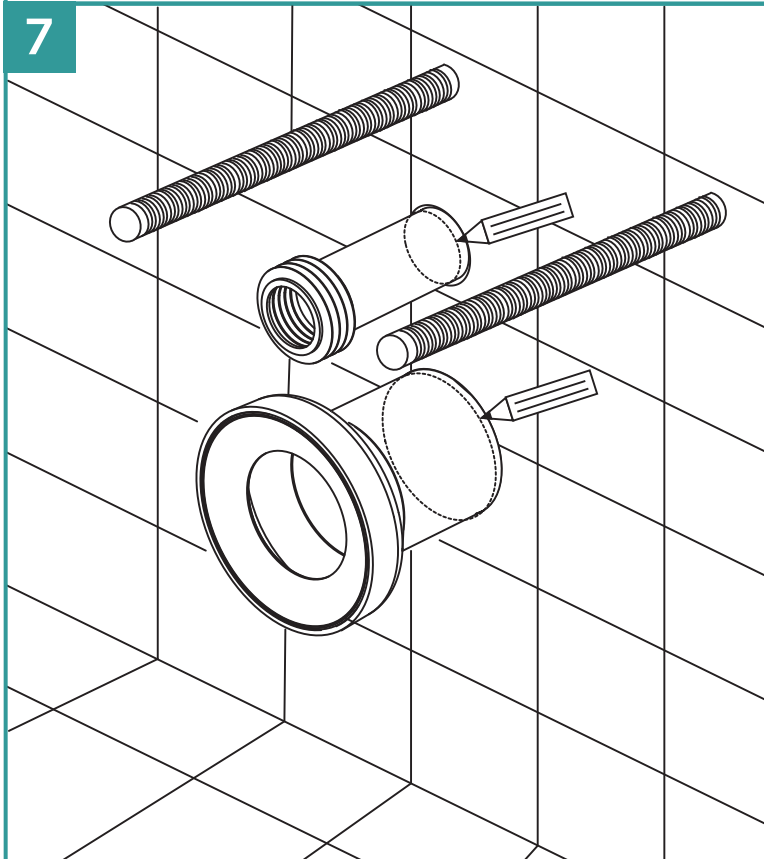
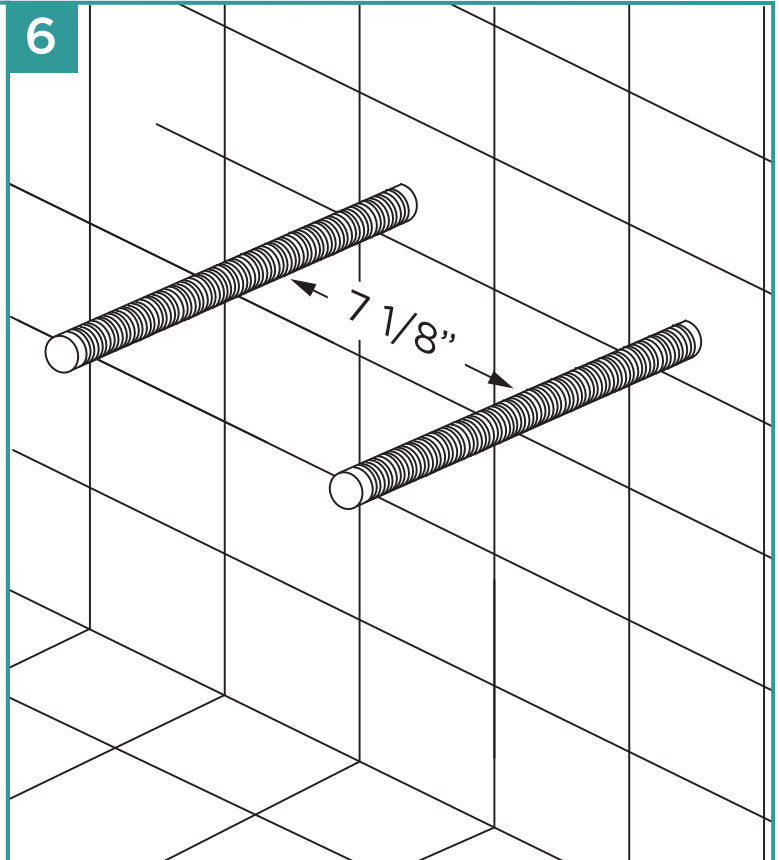
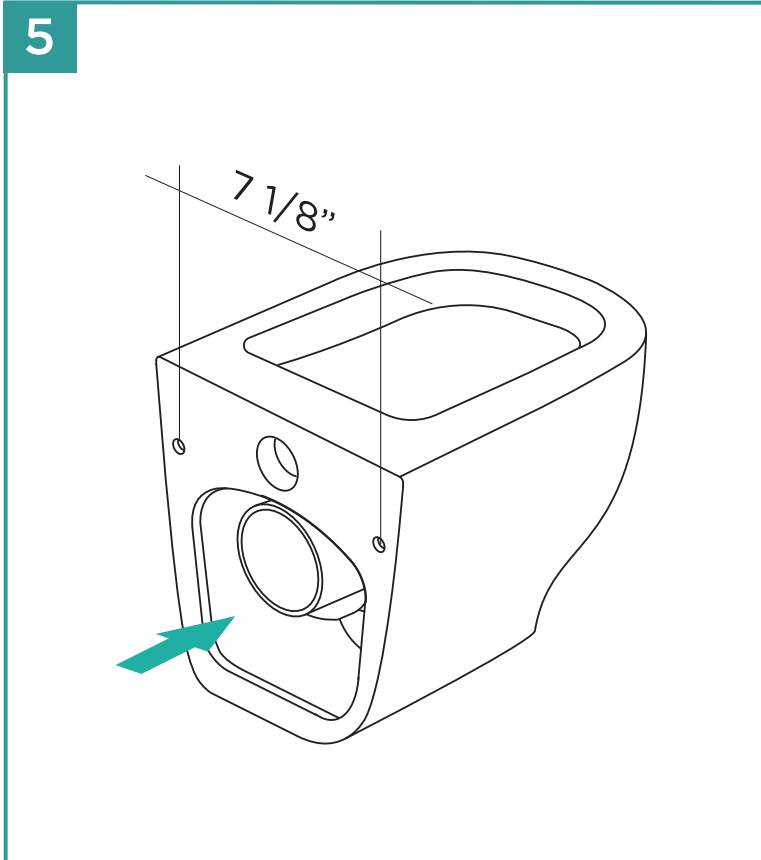
Wrench



**DIMENSIONS/TECHNICAL DATA**  
**MODEL# WT11RM**

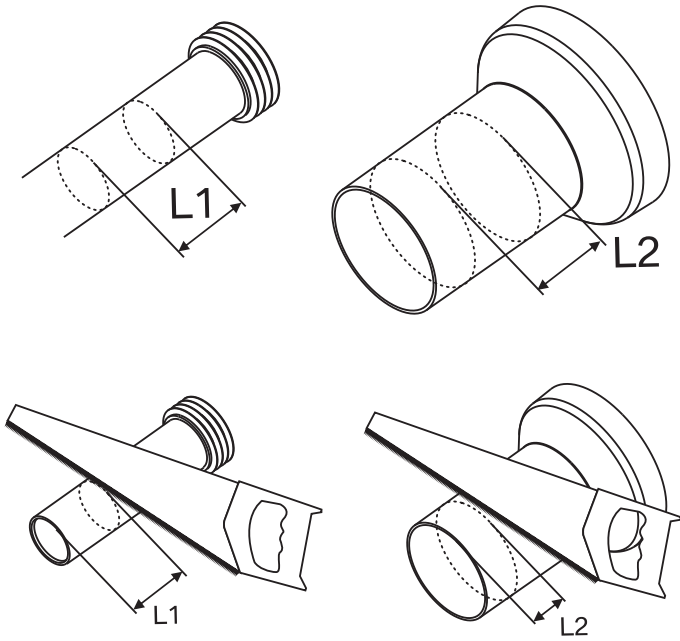


**ATTENTION!** Dimensions may vary by up to 3/8". It is highly recommended to pull all dimensions of actual model for installation and measuring purposes.

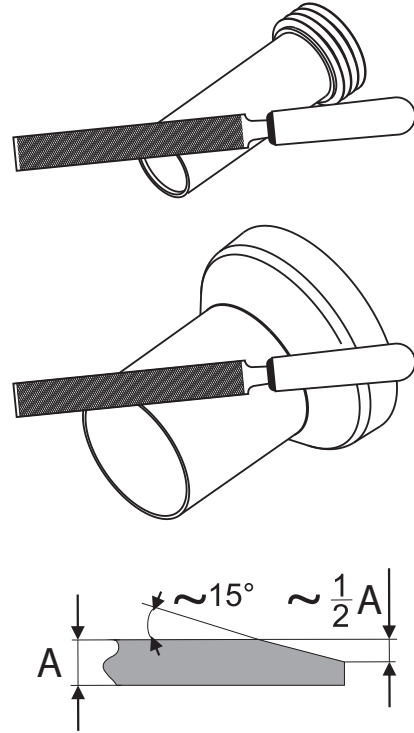




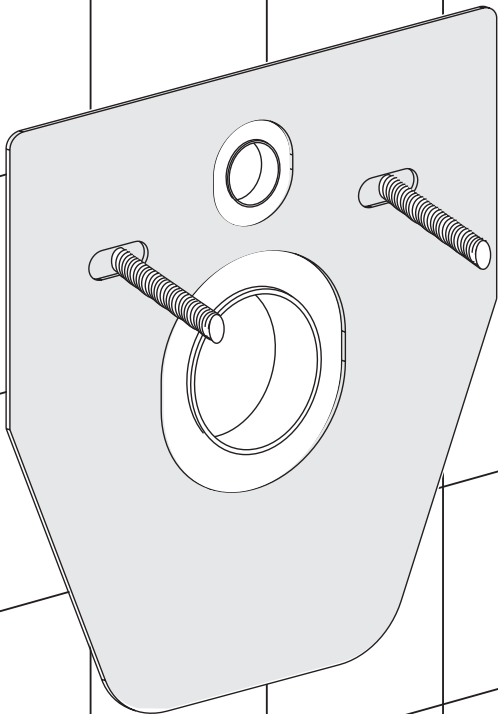
5



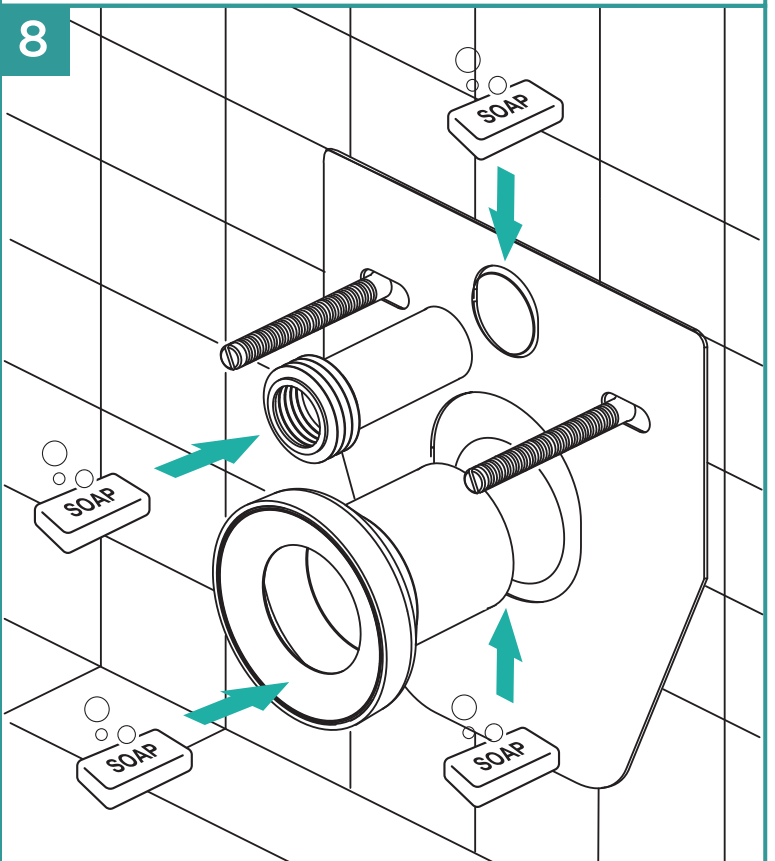
6



7

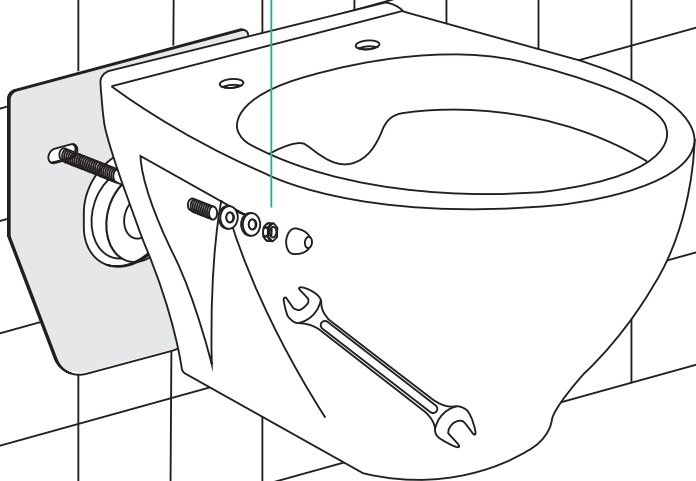
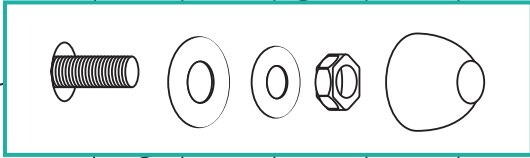


8

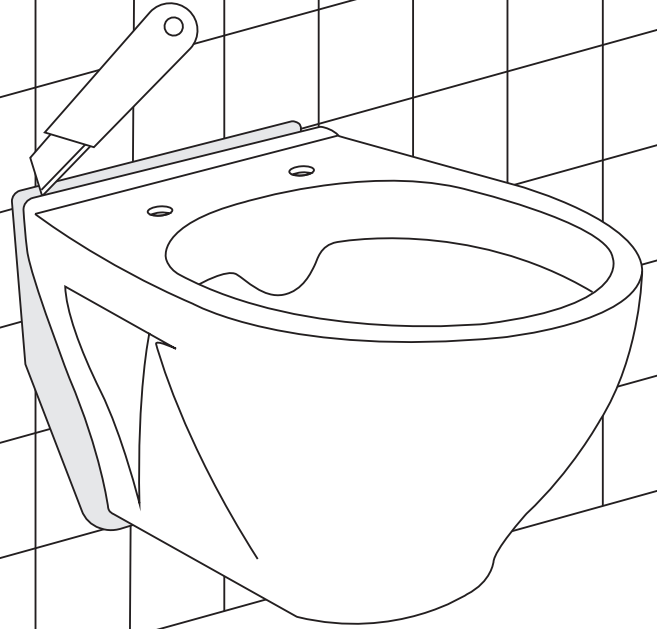




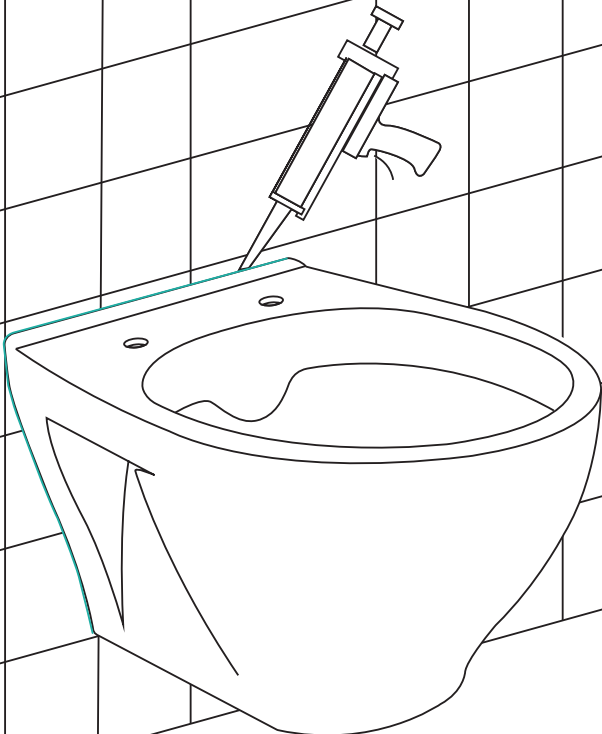
9



10



11



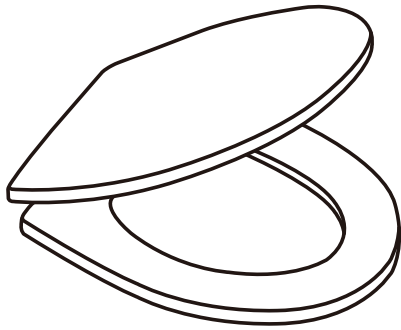
**AFTER INSTALLATION**



**WAIT 24 HRS BEFORE USE**



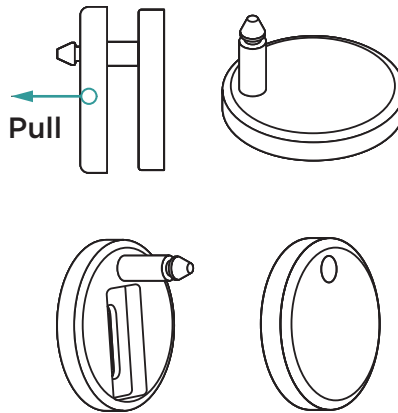
## TOILET SEAT INSTALLATION



**A**

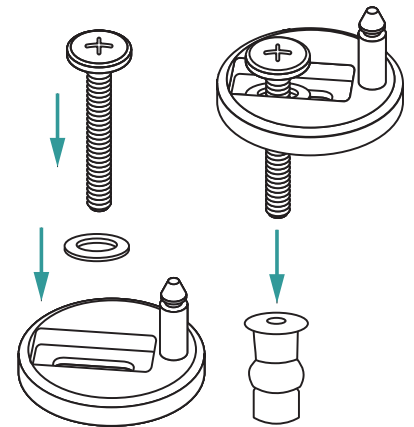
### PREPARATION

Separate the cover cap from the hinge.



**B**

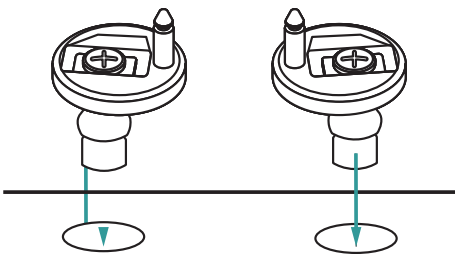
### ASSEMBLE HINGES



**C**

### INSTALL HINGES

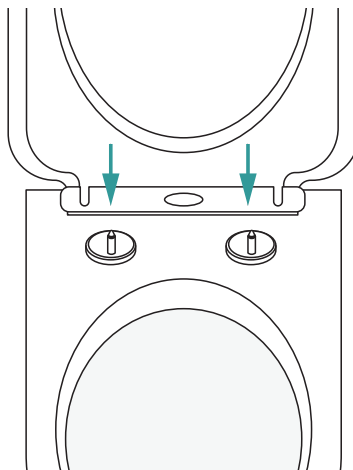
Insert hinges with blind hole screw fixings attached into holes on toilet bowl.



**D**

### ATTACH SEAT

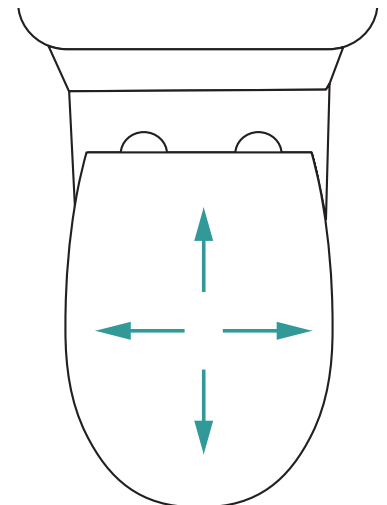
Align seat to the hinges, then light tighten the hinges. Attach seat to the hinges.



**E**

### ADJUST SEAT

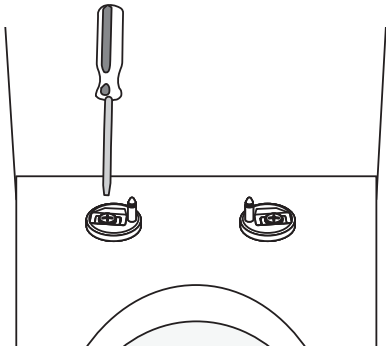
Adjust seat to align to the bowl.



**F**

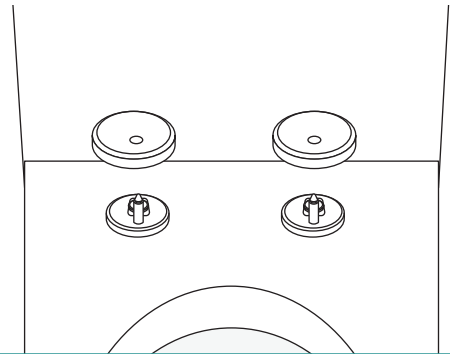
### TIGHTEN HINGES

Tighten hinges with a screwdriver after alignment

**G**

### COVER HINGES

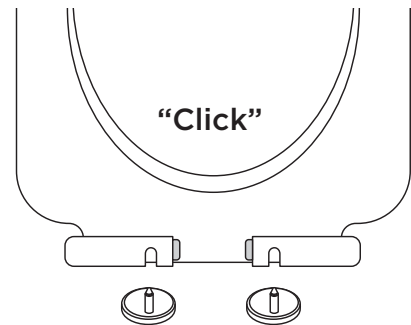
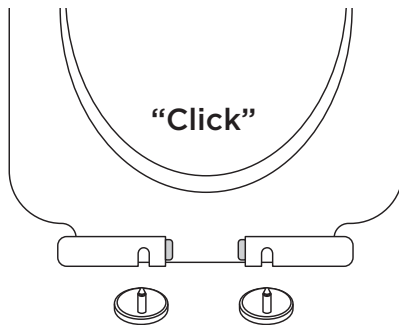
Place the covers onto the hinges.

**H**

### TOILET SEAT USAGE

- To remove, push middle button until you hear a “click”, then pull straight up.
- To re-install, align hinge posts with reference marks on seat, then push down until you hear a “click”.

#### TWO BUTTON SEAT TYPE



#### ONE BUTTON SEAT TYPE

