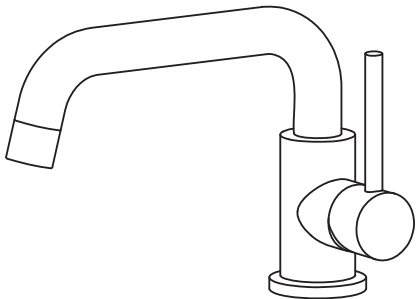


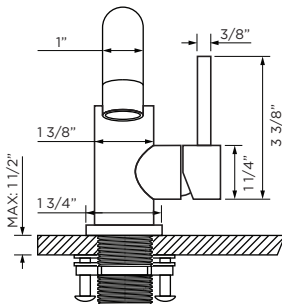
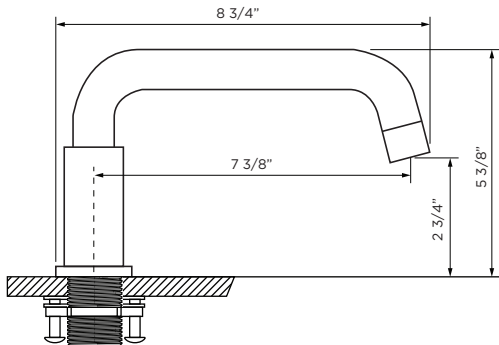
INSTALLATION MANUAL

SINGLE HANDLE BATHROOM FAUCET



MODEL# FAM7

SPECIFICATIONS TECHNICAL DATA

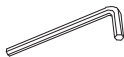


C

TOOLS REQUIRED



Screw Driver



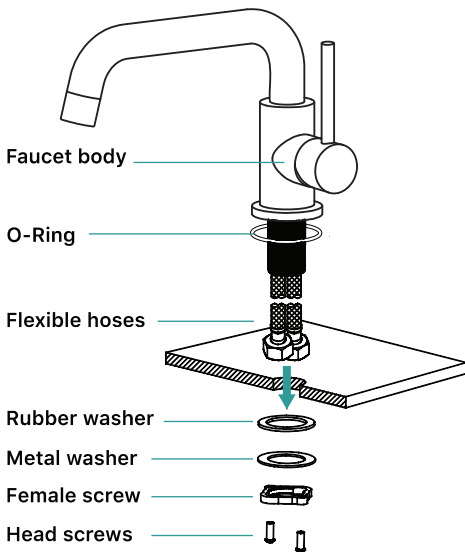
Hexagon Wrench



Pipe Tape



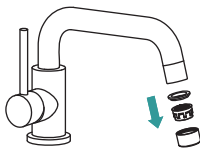
Adjustable Wrench



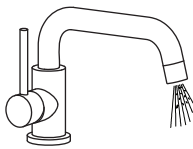
BEFORE INSTALLATION

1. Please check that all components are present.
2. Before installation ensure that all feed lines are clear of debris and on/off valve is present.
3. Ensure water pressure is between 20-125 PSI (includes combination of hot and cold feed lines).
4. Pictures in the manual are general in content and may not represent exactly your purchased faucet.
5. If you will be away from home for an extended period you should shut off the main water supply.

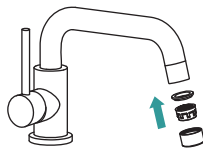
If the water pressure appears to be less than optimum remove, inspect and clean aerator.



A. Disassembly aerator.



B. Let water flow for a minute.



C. Assemble aerator.

DAILY MAINTENANCE

1. Use a soft cloth and vinegar to remove hard-water spots.
2. Check aerator (if present) regularly for calcium build up are when water stream is not optimum.
3. DO NOT use caustic cleaning products, the use will break down finish and void the product warranty.
4. Acceptable cleaners include: vinegar or mild non-abrasive liquid detergents.