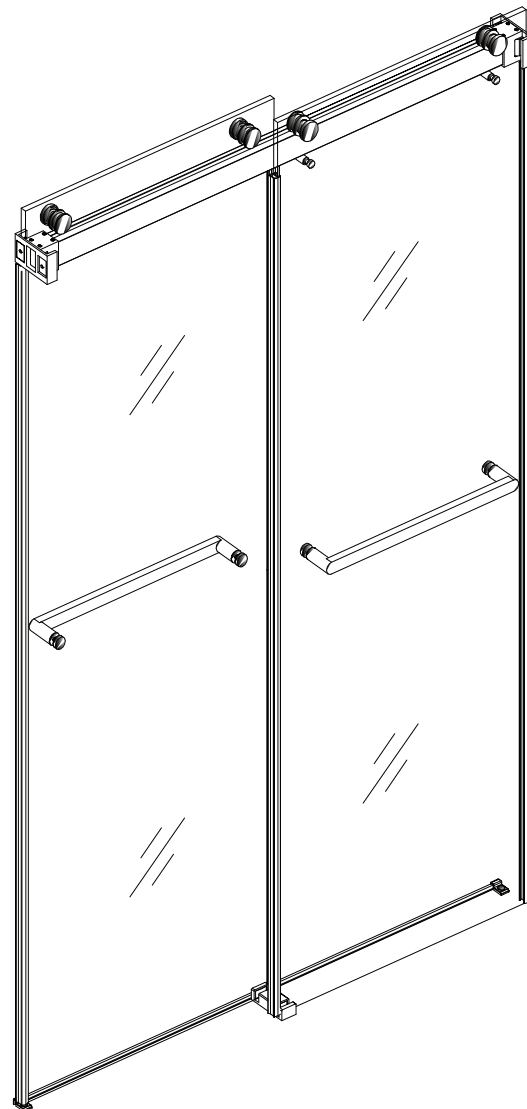


INSTALLATION MANUAL

TUB DOOR SLIDING FRAMELESS DOUBLE DOOR





READ ALL INSTRUCTIONS BEFORE UNPACKING THE PRODUCT



INSTRUCTIONS THAT, IF IGNORED, COULD RESULT IN DEATH OR SERIOUS INJURY CAUSED BY INCORRECT HANDLING OR INSTALLATION OF THE PRODUCT. THESE INSTRUCTIONS MUST BE OBSERVED FOR SAFE INSTALLATION.

ATTENTION!



2 PEOPLE ARE REQUIRED TO LIFT AND DURING ENTIRE INSTALLATION OF THIS PRODUCT



INSTALLATION OF THIS PRODUCT BY AN INEXPERIENCED INSTALLER MAY RESULT IN PERSONAL INJURY OR DEATH!



- We reserves the right to change, update, modify, alter, redesign this manual/product or its policies without prior notice!
- It is your responsibility to visit the website to download or contact customer service for the most updated version of the installation instructions.
- We shall not be liable for any injuries or property damages in connection with this product during installation or use of this product!

NOTES:

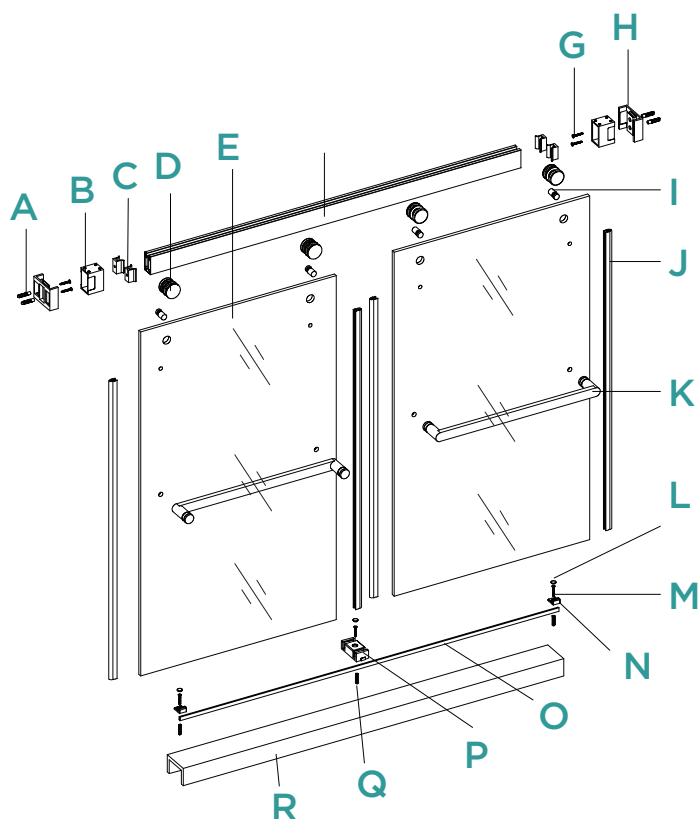
- Limited warranty is void on any commercial installation.
- We are not responsible for local code compliance for this product.
- Building and plumbing codes may vary from state-to-state in accordance to your location.
- We are not responsible for providing any compliance certifications.
- We are not responsible to provide any type of certifications for this product.
- Under no circumstances we shall not be liable for any and all incidental damages sustained in connection with this product Neither manufacture, nor distributor, nor retailer is responsible for water damage or flood caused due to use of this product.
- Under no circumstances We shall not be liable for any and all fees, cost defect. of installation/re-installation/removal, subsequent damage or transportation in case of the product defect.

ATTENTION:

- Always rest glass on a leveled surface.
- The glass panels are tempered and cannot be cut.
- Fiberglass, acrylic or sheetrock construction might not be sufficiently strong enough to support the shower door enclosure. You should use the wood framing from behind the face edge of the stall to provide a secure mounting to the door. Apply a bead of silicone between the walls and base of the stall.
- For optimum performance, you should install the shower door perfectly level on a level surface.
- By not leveling the unit during construction the unit may leak causing possible water damage.



PARTS



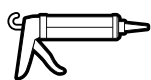
REQUIRED TOOLS



DRILL



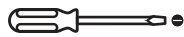
LEVEL



SILICON GUN



MEASURE TAPE



FLAT SCREWDRIVER



Ø6 DRILL BIT



PENCIL



PHILLIPS SCREWDRIVER



Ø8 DRILL BIT







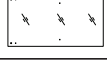

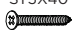
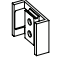

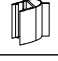
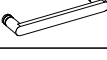


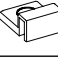
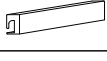



ALLEN KEY



UTILITY KNIFE

COMPONENTS AND HARDWARE

During unpacking the product and prior to installation inspect your new product for any damages or missing parts. Do not attempt to install or operate the product if the product is damaged.

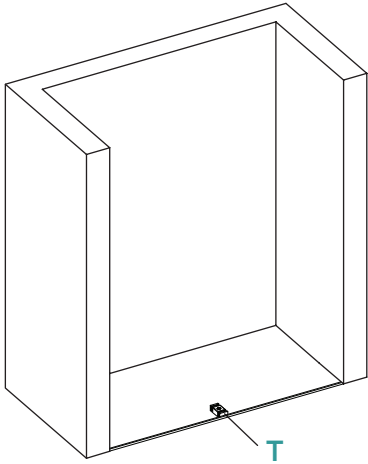
Part A		4 Pieces	Plastic Anchor
Part B		2 Pieces	Rail Bracket
Part C		4 Pieces	Door Stopper
Part D		4 Pieces	Single Roller
Part E		2 Pieces	Door Panel
Part F		1 Piece	Sliding Rail
Part G		4 Pieces	ST5 Screw 40mm
Part H		2 Pieces	Wall Mount Bracket
Part I		4 Pieces	Roller Guides
Part J		4 Pieces	Seal Strip w/Flange
Part K		2 Pieces	Door Handle
Part L		3 Pieces	Screw Cover
Part M		3 Piece	ST4 Screw 20mm
Part N		2 Pieces	Threshold Clip
Part O		1 Piece	Bottom Threshold
Part P		1 Piece	Bottom Guide Block
Part Q		3 Pieces	Plastic Anchor
Part R		1 Piece	Threshold Base



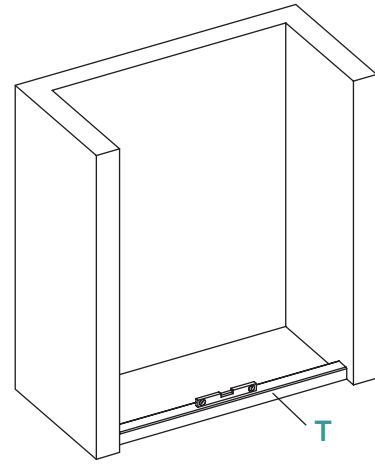
1

INSTALLING THE THRESHOLD BASE

FLOOR INSTALLATION



BASE INSTALLATION



2

2.1

Place the bottom of the anchor (H) at 61 1/4" from the Tub and use a pencil to mark the holes accurately.

2.2

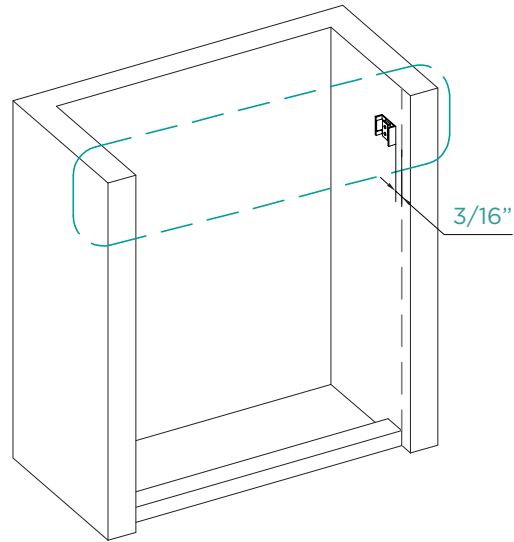
Use a $\varnothing 8$ drill bit to make the holes.

2.3

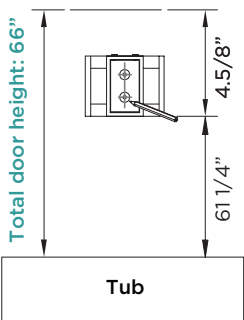
Insert the anchor on the holes.

2.4

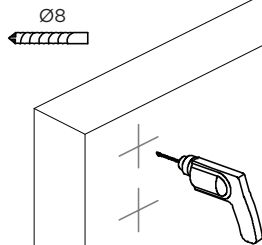
Secure the wall anchor with the provided screws (G)



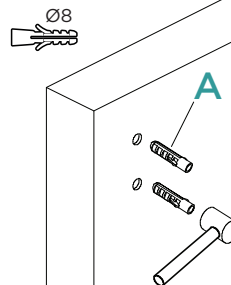
2.1



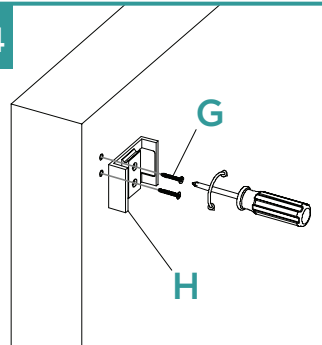
2.2



2.3



2.4





3

3.1

Insert both brackets (B) into the Sliding Rail (F)

3.2

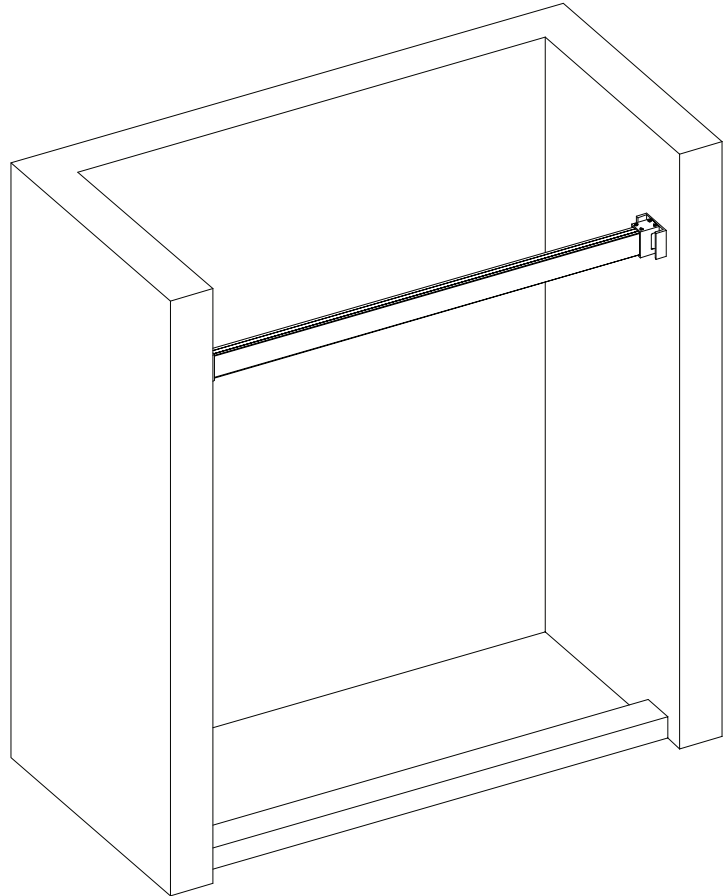
Insert Rail brackets into the Wall bracket.

3.3

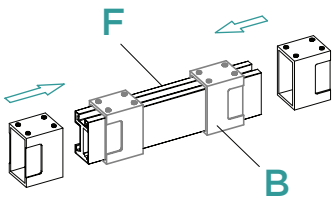
Tighten the 4 screws with the provided allen key.

3.4

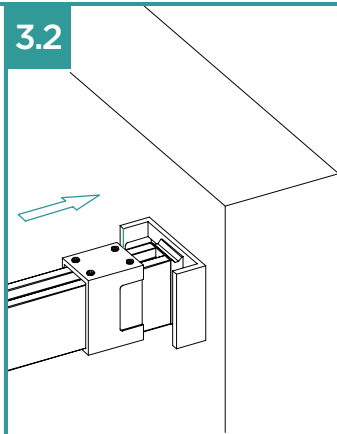
Insert door stopper (C) in to the installed wall bracket (B)



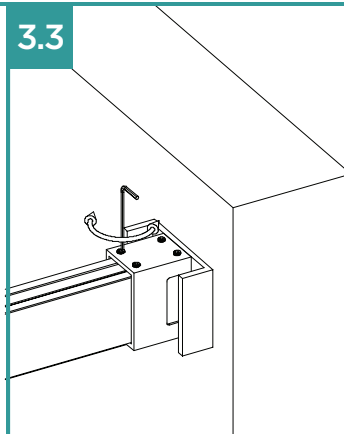
3.1



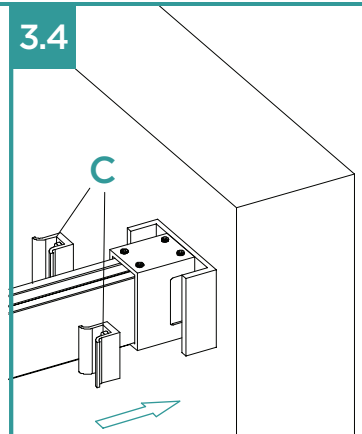
3.2



3.3



3.4





4

4.1

Slide the threshold (O) through the clip of the guide block (P).

4.2

Place the bottom guide block (P) and the threshold clips (N) on the floor and use a pencil to mark the holes accurately.

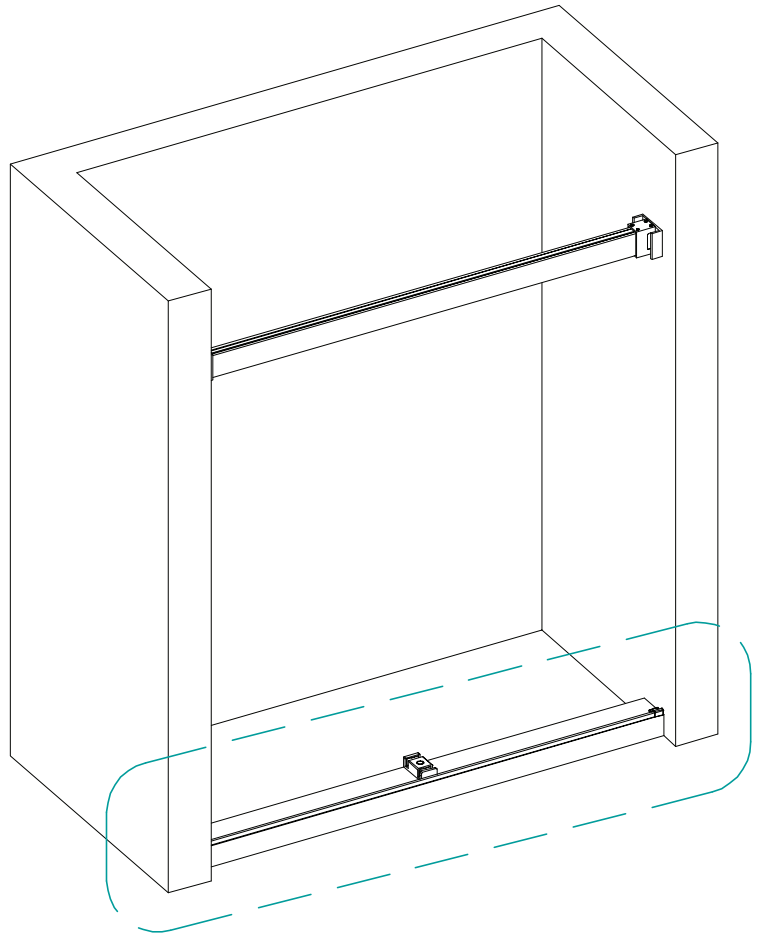
NOTE: Make sure that the guide block is in the center of the space.

4.3

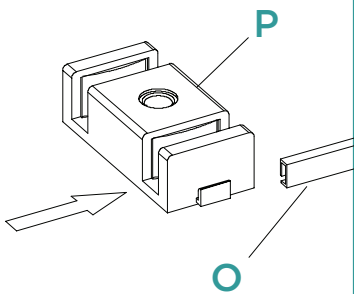
Drill the holes using a $\varnothing 6$ drill bit.

4.4

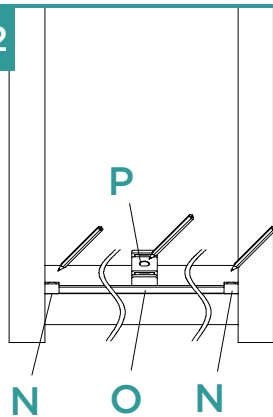
Insert the anchors (Q) into the holes, then tighten the bottom guide block (P) with screws (M).



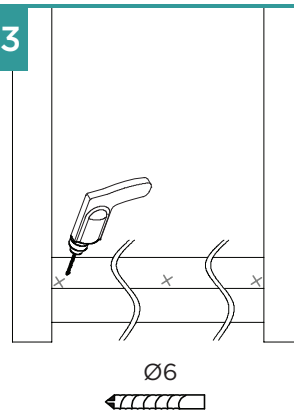
4.1



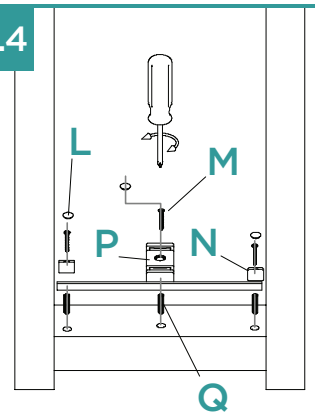
4.2



4.3



4.4

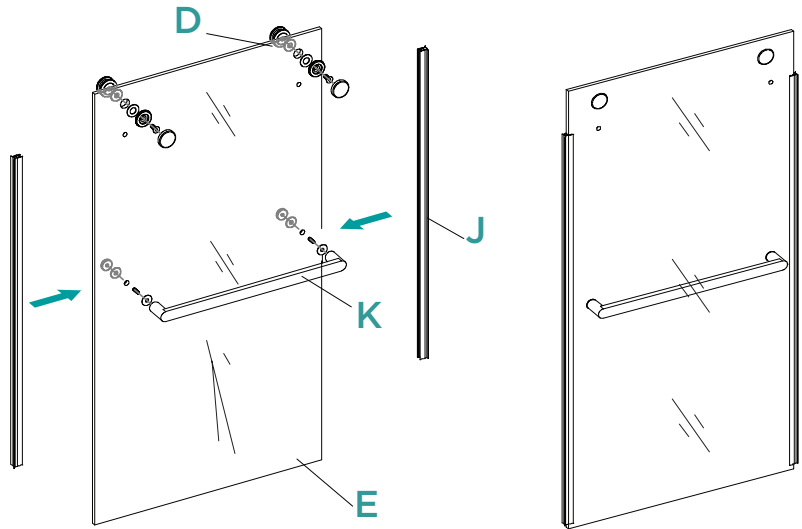




5

LEFT DOOR

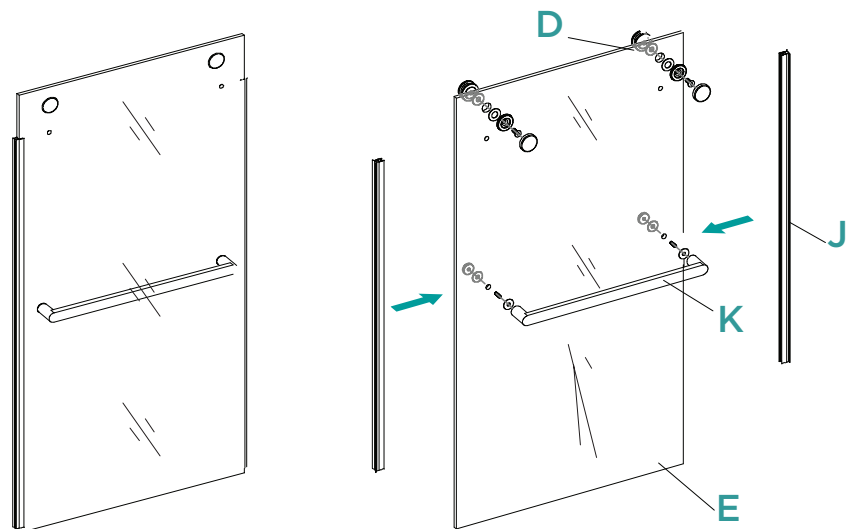
1. Insert both single rollers (D) with the washers on the glass door holes.
2. Insert the door handle (K) in the door holes.
3. Insert the flanged seal strips (J) on both sides of the glass door (E) tightly.



6

RIGHT DOOR

1. Insert both single rollers (D) with the washers on the glass door holes.
2. Insert the door handle (K) in the door holes.
3. Insert the flanged seal strips (J) on both sides of the glass door (E) tightly.





7

7.1

Insert the door (E) in the bottom guide block (P), then place the wheel on the sliding rail (F).

7.2

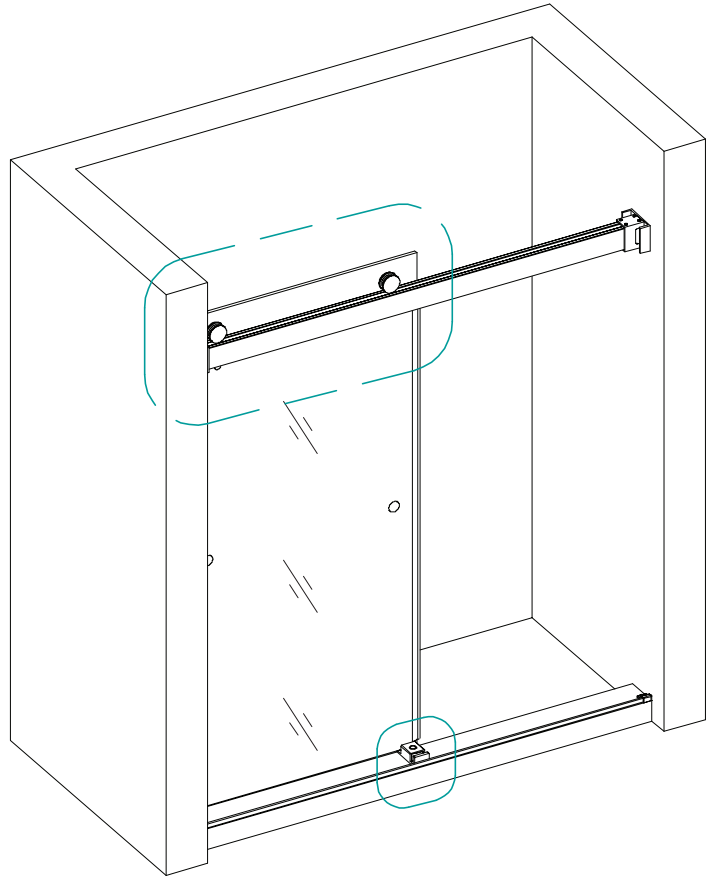
Adjust the door height turning the rollers (D) up or down with the allen key provided to level the doors.

7.3

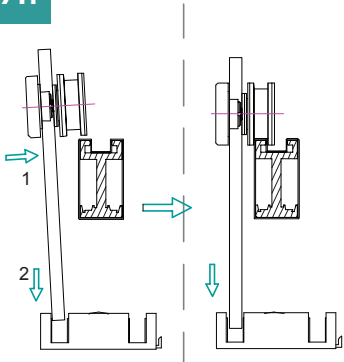
When the final position is set, tighten the rollers (D) and finish the assembly with the roller cap.

7.4

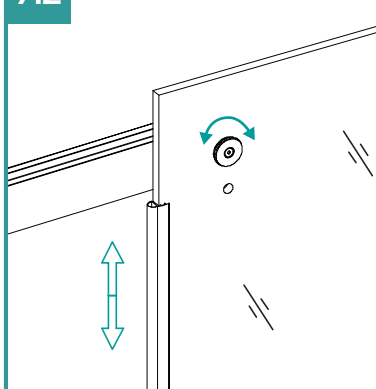
Insert the roller guides (I) with the washers on the glass door holes.



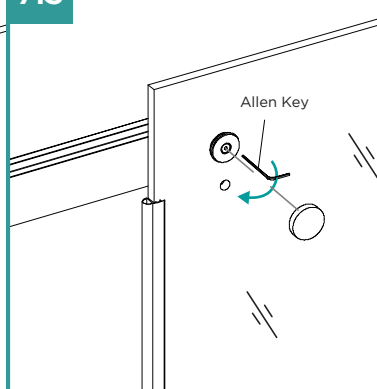
7.1



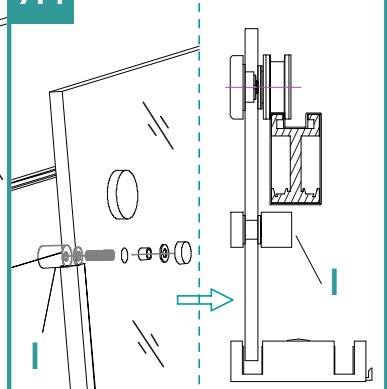
7.2



7.3



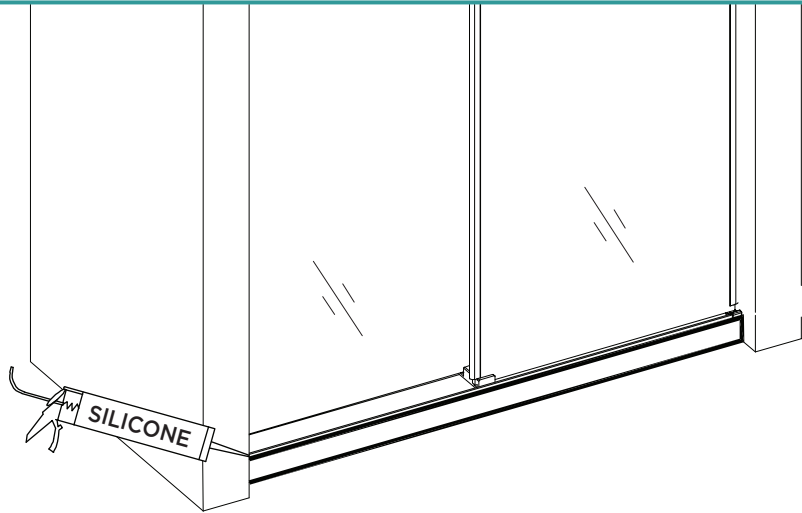
7.4





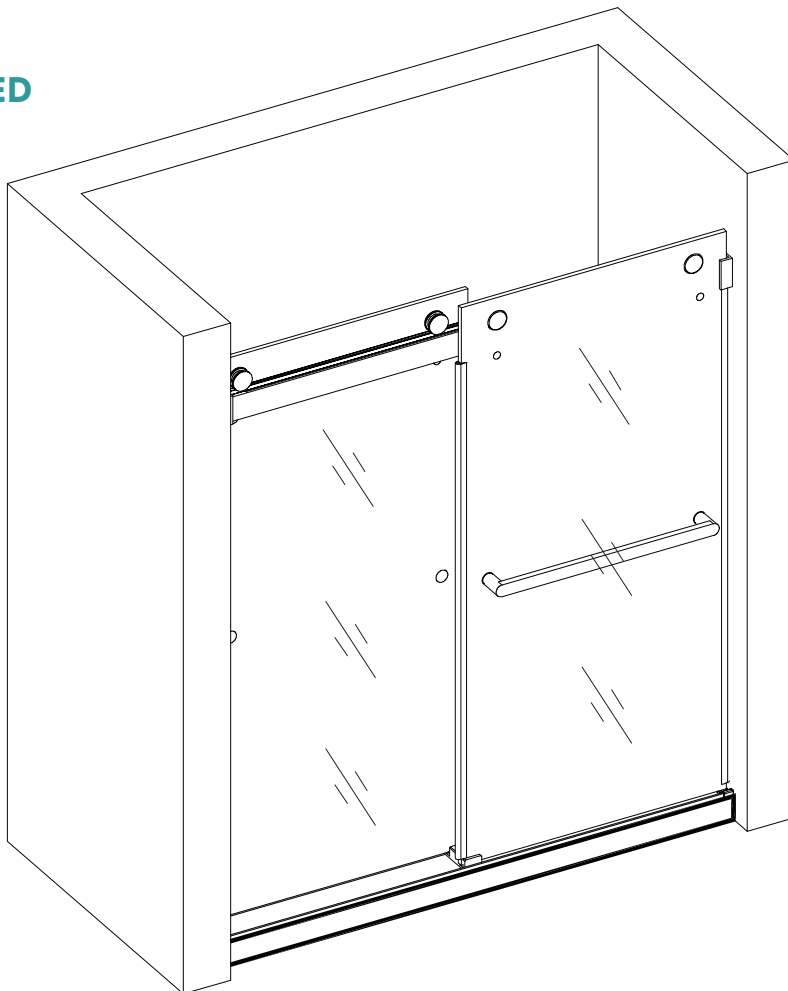
8

Apply clear water proof silicone around the doors.



9

FINISHED



**AFTER
INSTALLATION**



**WAIT 24 HRS
BEFORE USE**



206 WEMBLY ROAD - NEW WINDSOR, NY 12553
P: 718.602.6060 F: 718.963.2082 - E: INFO@FINEFIXTURES.COM
TOLL FREE: 1.877.8FIXTURES

FINEFIXTURES.COM

