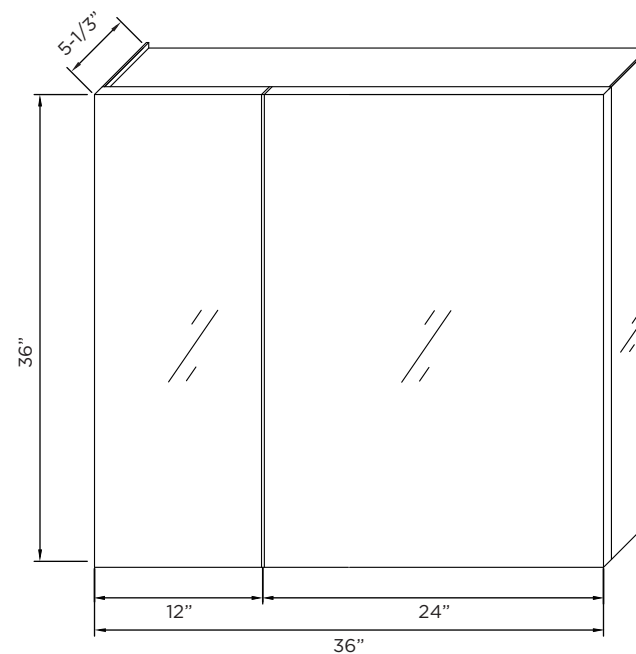
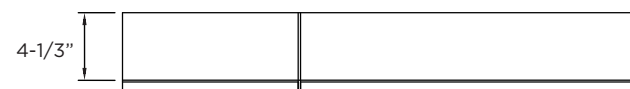
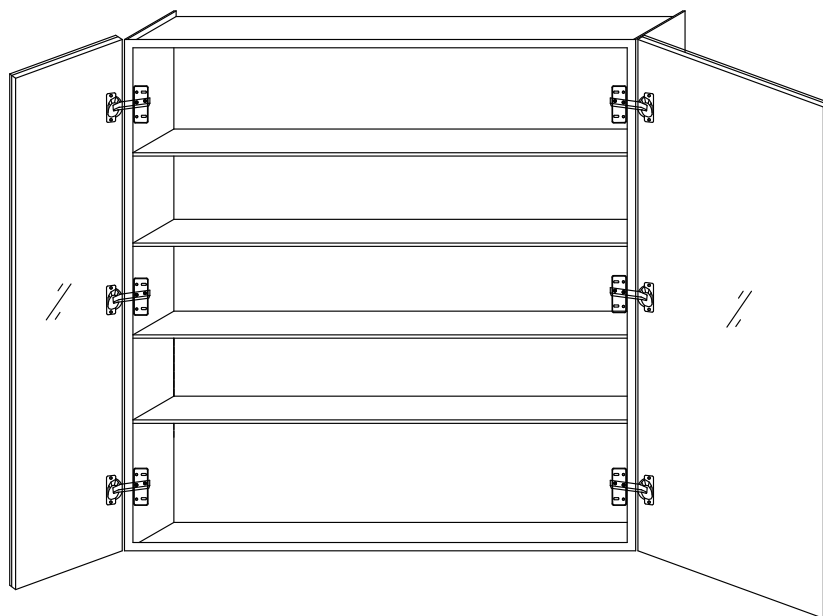


SPECIFICATIONS / TECHNICAL DATA

ALUMINUM MEDICINE CABINET

36" X 36"



ATTENTION! Dimensions may vary by up to 3/8\". It is highly recommended to pull all dimensions of actual model for installation and measuring purposes.

MODEL# AMA3636