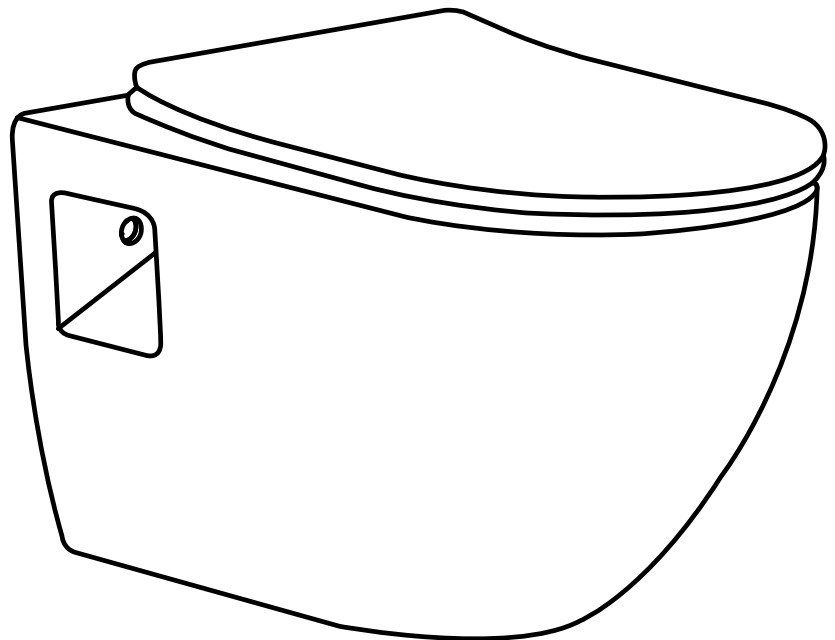


INSTALLATION INSTRUCTIONS

WALL HUNG TOILET



Surge™

MODEL# WT14RM



READ ALL INSTRUCTIONS BEFORE UNPACKING THE PRODUCT



INSTRUCTIONS THAT, IF IGNORED, COULD RESULT IN DEATH OR SERIOUS INJURY CAUSED BY INCORRECT HANDLING OR INSTALLATION OF THE PRODUCT. THESE INSTRUCTIONS MUST BE OBSERVED FOR SAFE INSTALLATION.

ATTENTION!



2 PEOPLE ARE REQUIRED TO LIFT AND DURING ENTIRE INSTALLATION OF THIS PRODUCT



INSTALLATION OF THIS PRODUCT BY AN INEXPERIENCED INSTALLER MAY RESULT IN PERSONAL INJURY OR DEATH!

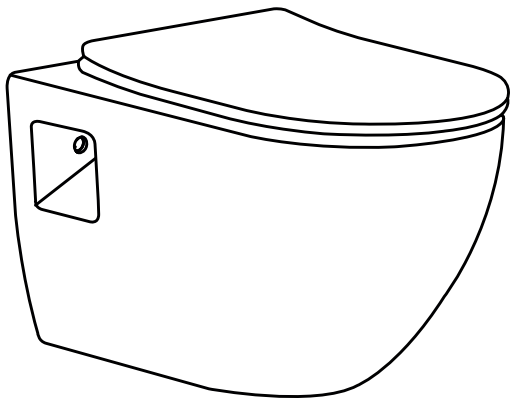


We reserves the right to change, update, modify, alter, redesign this manual/product or its policies without prior notice! It is your responsibility to visit the website to download or contact customer service for the most updated version of the installation instructions.

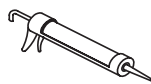
We shall not be liable for any injuries or property damages in connection with this product during installation or use of this product!

- Limited warranty is void on any commercial installation.
- We are not responsible for local code compliance for this product.
- Building and plumbing codes may vary from state-to-state in accordance to your location.
- We are not responsible for providing any compliance certifications.
- We are not responsible to provide any type of certifications for this product.
- Under no circumstances we shall not be liable for any and all incidental damages sustained in connection with this product Neither manufacture, nor distributor, nor retailer is responsible for water damage or flood caused due to use of this product.
- Under no circumstances We shall not be liable for any and all fees, cost of installation/re-installation/removal, subsequent damage or transportation in case of the product defect.

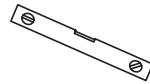
ONE PIECE TOILET



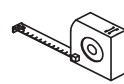
TOOLS REQUIRED FOR INSTALLATION



Silicone



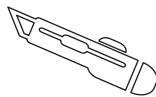
Level



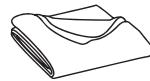
Tape Measure



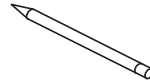
Socket extension



Knife



Soft Cloth



Pencil / Marker



Channel Pliers



Safety Glass



Putty Knife



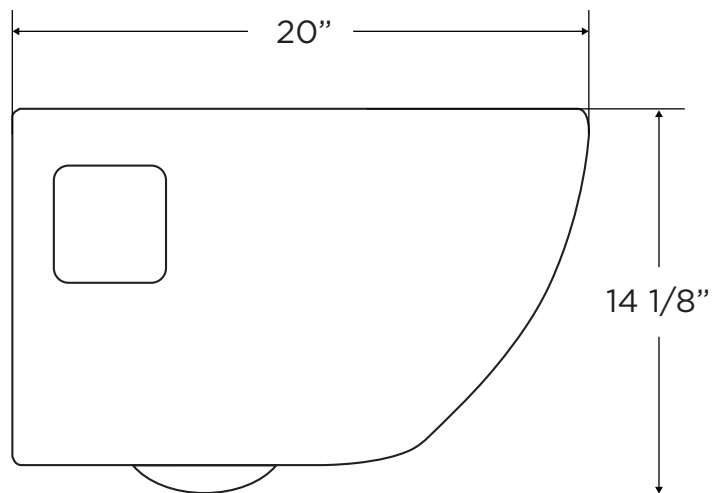
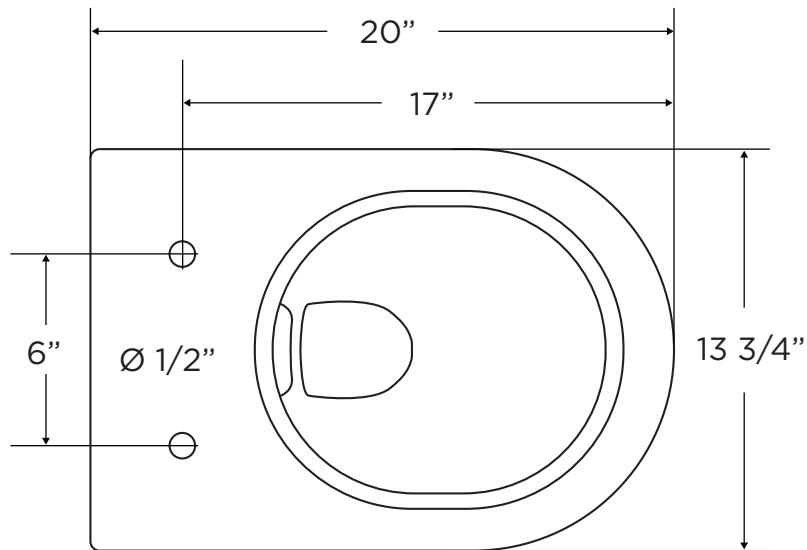
Wrench



Wrench



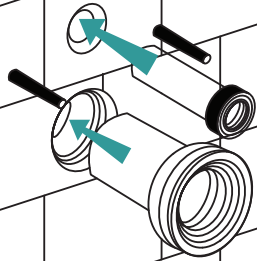
DIMENSIONS/TECHNICAL DATA
MODEL# WT14RM



ATTENTION! Dimensions may vary by up to 3/8". It is highly recommended to pull all dimensions of actual model for installation and measuring purposes.

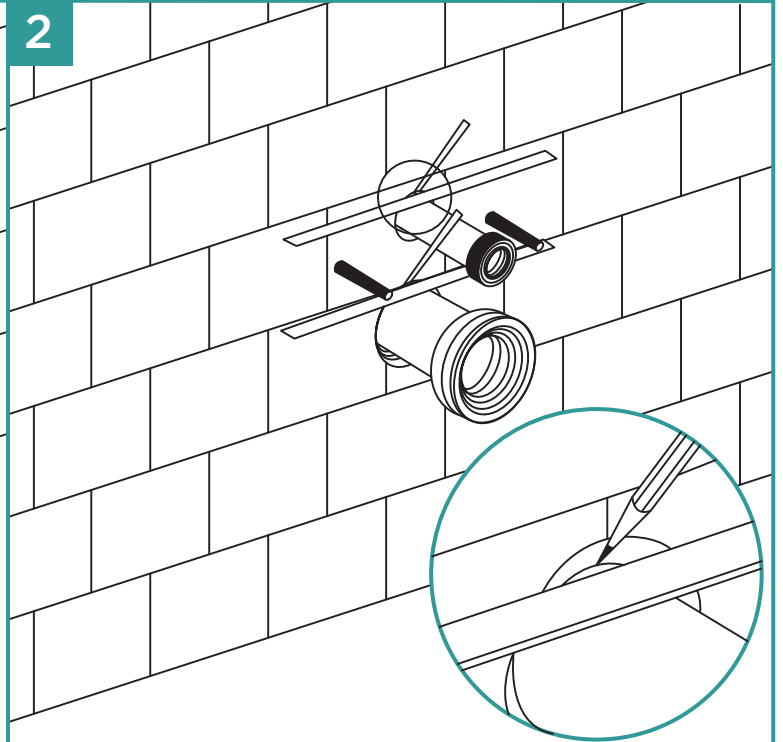


1



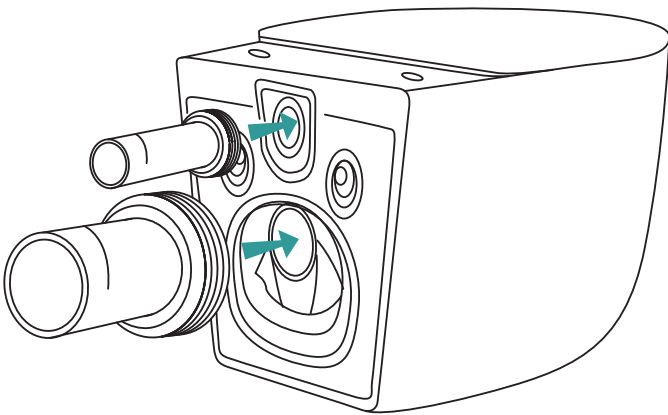
- Fully insert the straight tube into cistern flushing outlet and connecting pipe into discharging outlet.

2



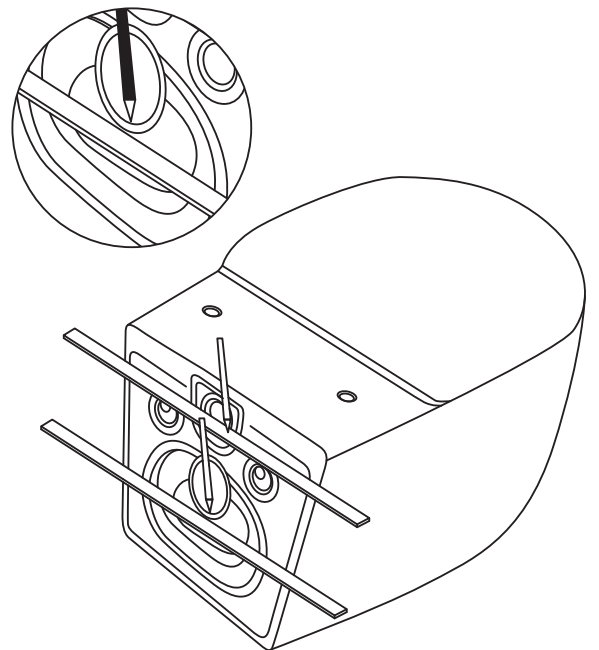
- Draw the lines as the above picture.

3



- Apply lubricant on rubber washers of straight tube and connecting pipe, then insert into ceramic holes.

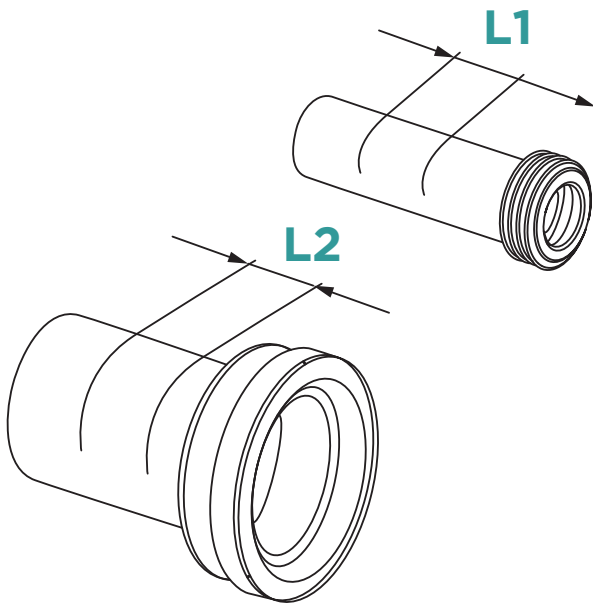
4



- Draw the lines as the above picture.

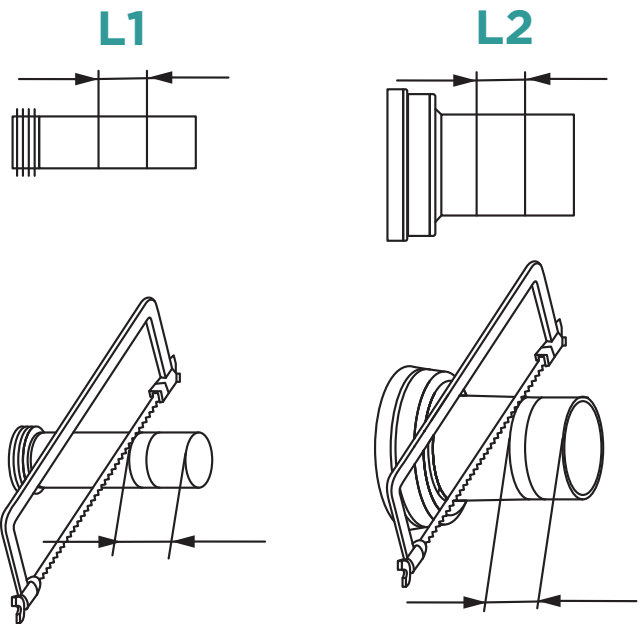


5



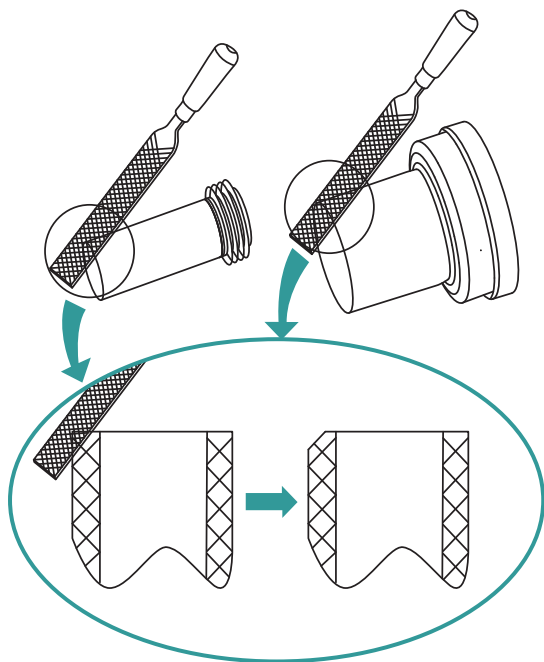
- L1 is distance between the two lines on straight tube.
- L2 is distance between the two lines on connecting pipe.

6



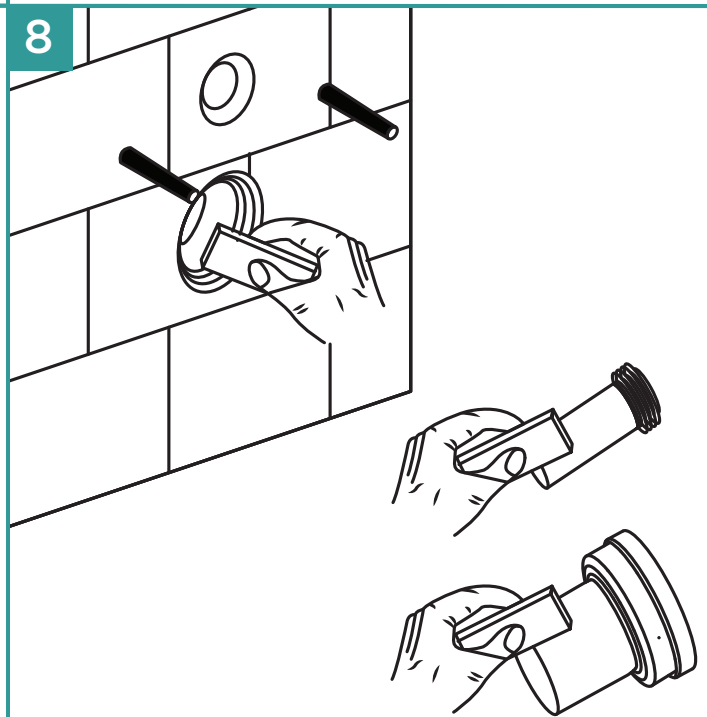
- Cut the straight tube and connect the pipe as per above drawing.

7



- Polish the cutting surface to get chamfer angle as per drawing and deburring.

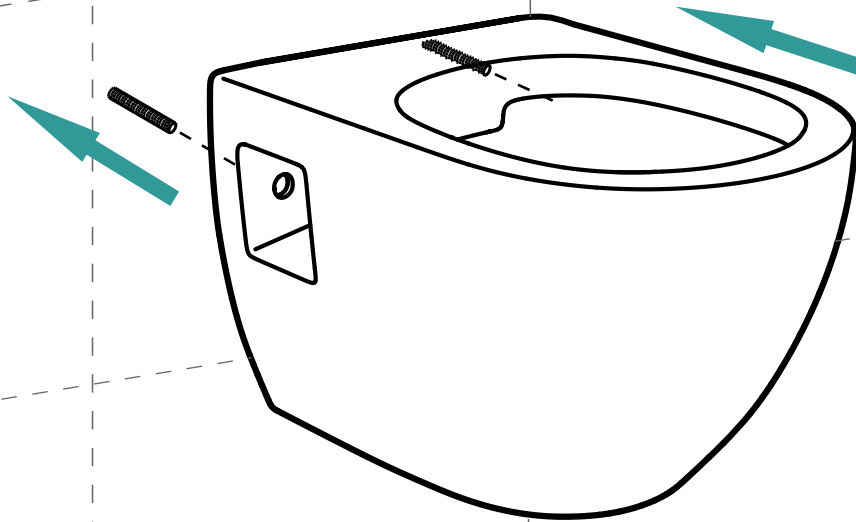
8



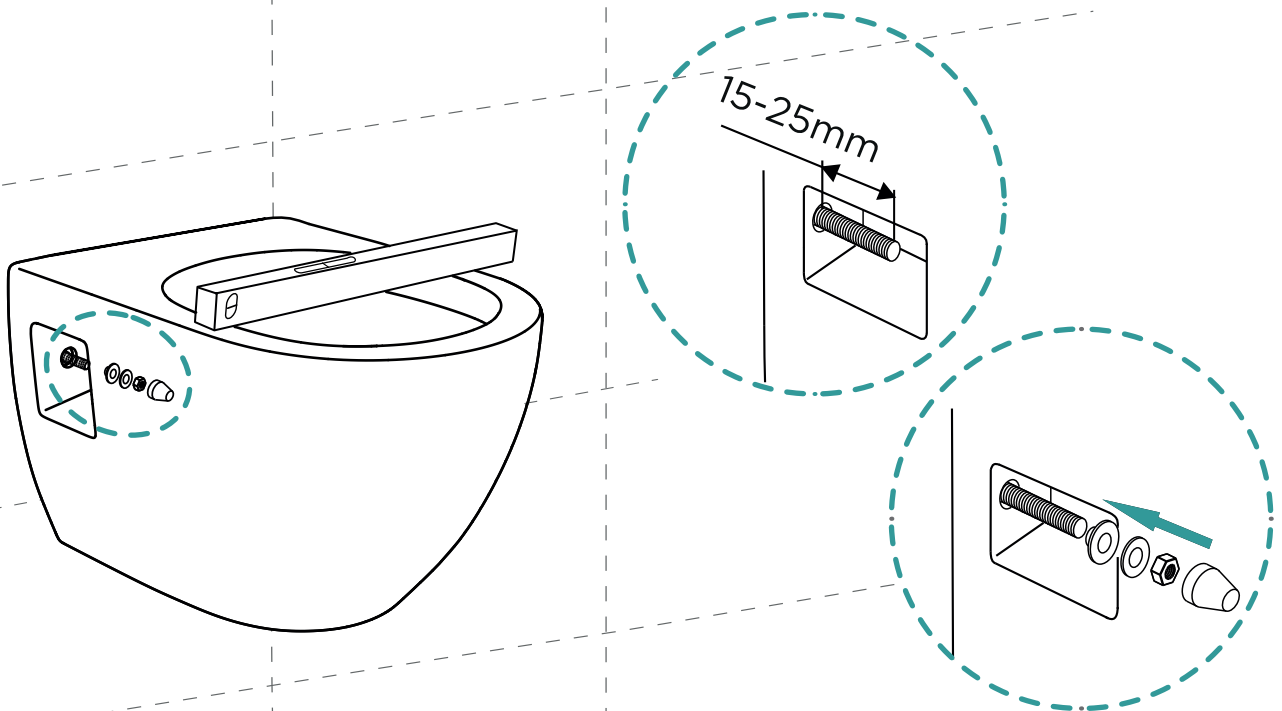
- Apply lubricant on joint surface of straight tube and connect the pipe.



9

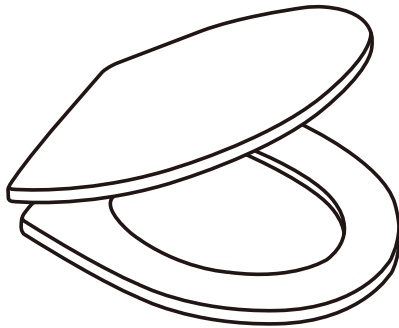


10





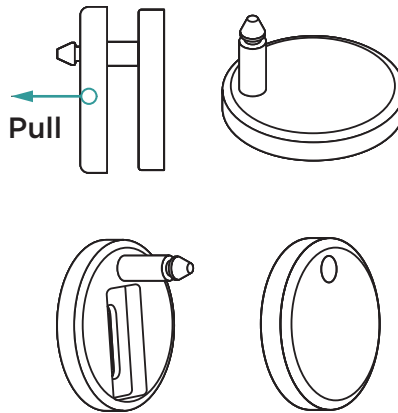
TOILET SEAT INSTALLATION



A

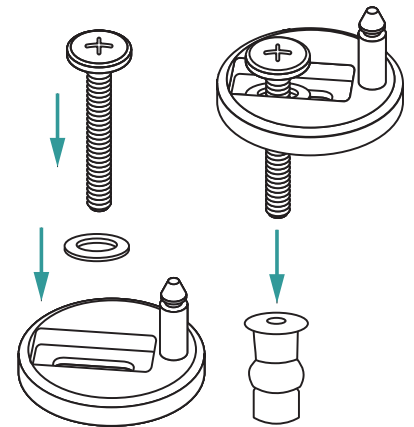
PREPARATION

Separate the cover cap from the hinge.



B

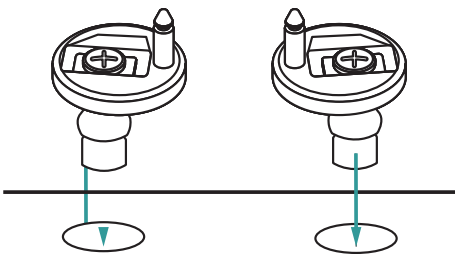
ASSEMBLE HINGES



C

INSTALL HINGES

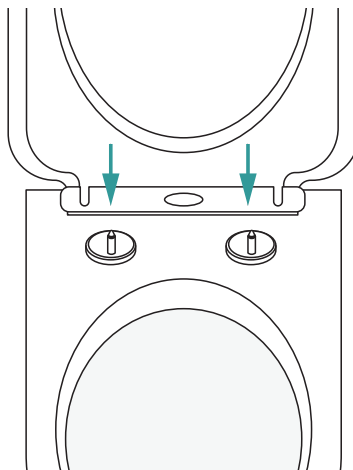
Insert hinges with blind hole screw fixings attached into holes on toilet bowl.



D

ATTACH SEAT

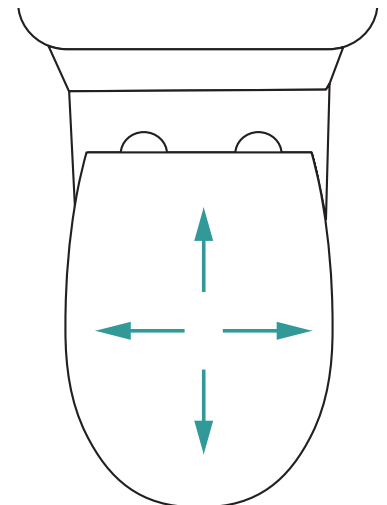
Align seat to the hinges, then light tighten the hinges. Attach seat to the hinges.



E

ADJUST SEAT

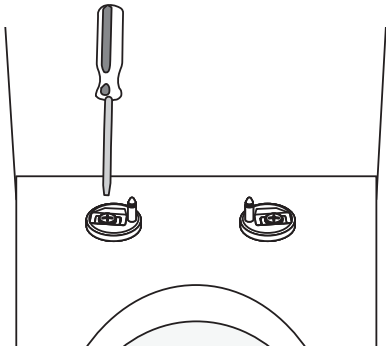
Adjust seat to align to the bowl.



**F**

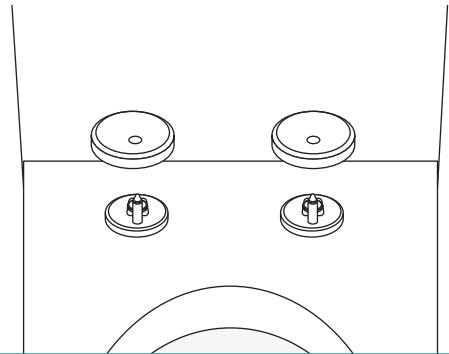
TIGHTEN HINGES

Tighten hinges with a screwdriver after alignment

**G**

COVER HINGES

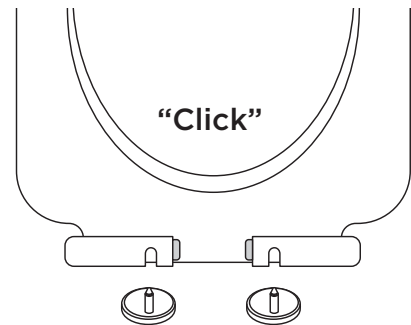
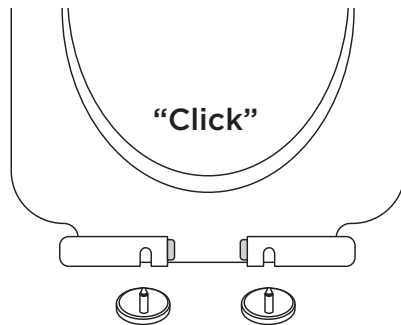
Place the covers onto the hinges.

**H**

TOILET SEAT USAGE

- To remove, push middle button until you hear a “click”, then pull straight up.
- To re-install, align hinge posts with reference marks on seat, then push down until you hear a “click”.

TWO BUTTON SEAT TYPE



ONE BUTTON SEAT TYPE

