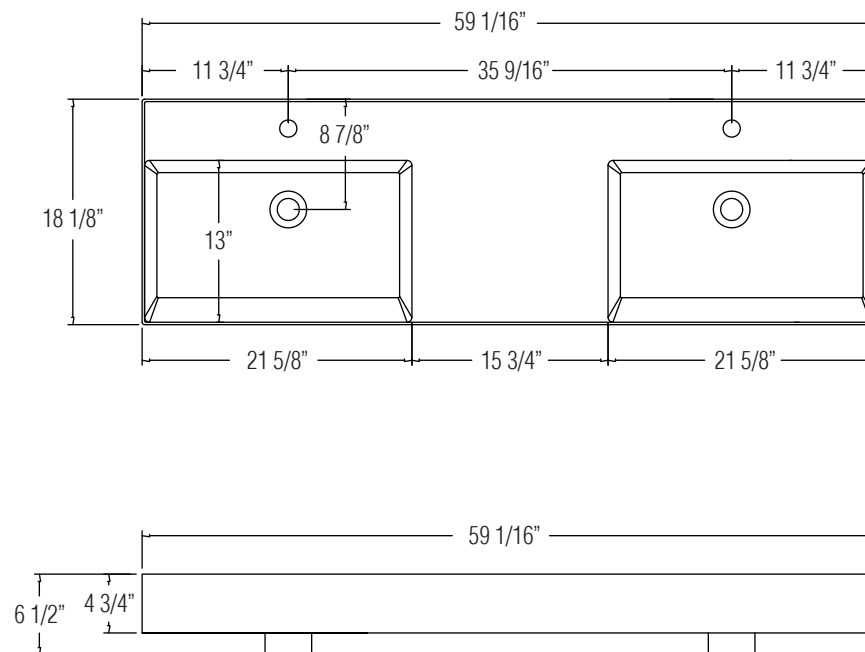
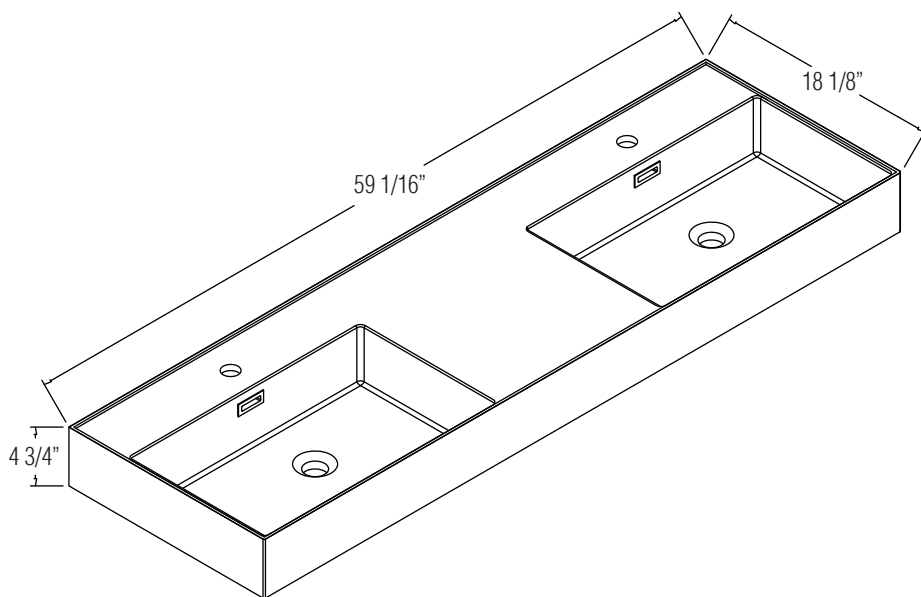


**SPECIFICATIONS / TECHNICAL DATA**

# CROWNPOINT SINK

**60"**



**ATTENTION!** Dimensions may vary by up to 3/8". It is highly recommended to pull all dimensions of actual model for installation and measuring purposes.