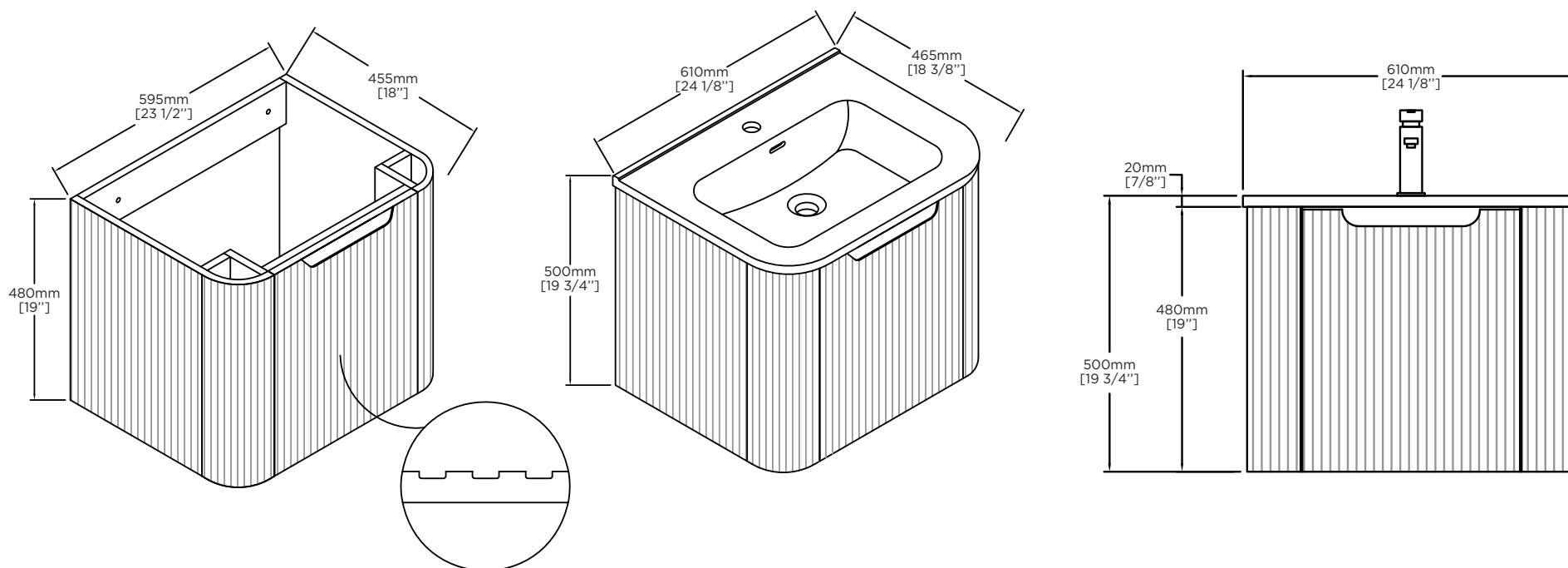


**SPECIFICATIONS / TECHNICAL DATA**

# CASKVALLEY

## VANITY COLLECTION

**24"**



10.07.2024

*ATTENTION! Dimensions may vary by up to 3/8". It is highly recommended to pull all dimensions of actual model for installation and measuring purposes.*

**MODEL# CV24**