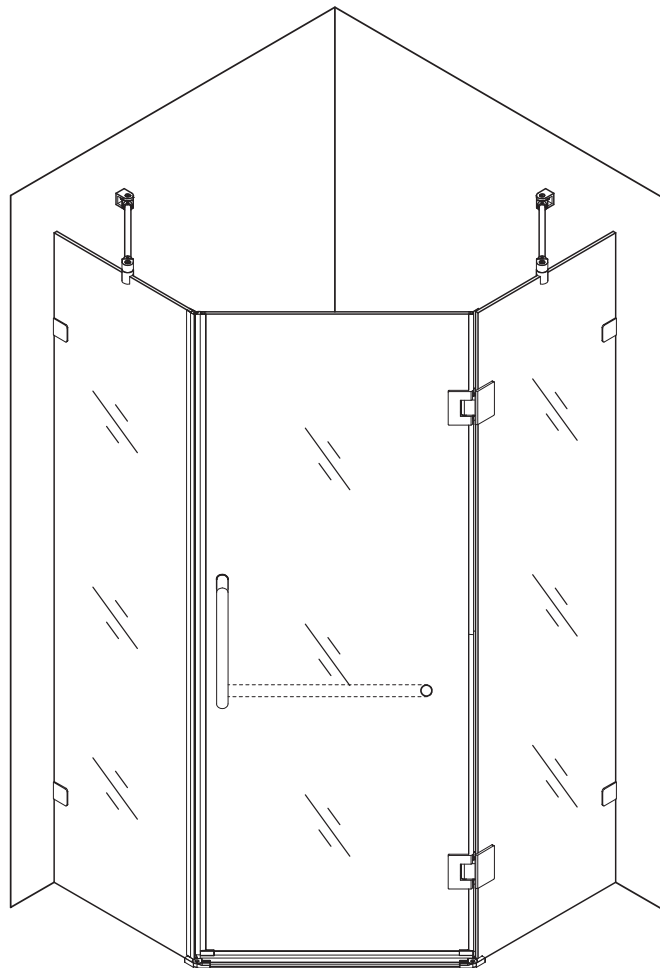


INSTALLATION MANUAL

SHOWER ENCLOSURE

NEO-ANGLE FRAMELESS



MODELS:

SDJ-32
SDJ-36
SDJ-42

MODEL# SDJ



READ ALL INSTRUCTIONS BEFORE UNPACKING THE PRODUCT



INSTRUCTIONS THAT, IF IGNORED, COULD RESULT IN DEATH OR SERIOUS INJURY CAUSED BY INCORRECT HANDLING OR INSTALLATION OF THE PRODUCT. THESE INSTRUCTIONS MUST BE OBSERVED FOR SAFE INSTALLATION.

ATTENTION!



2 PEOPLE ARE REQUIRED TO LIFT AND DURING ENTIRE INSTALLATION OF THIS PRODUCT



INSTALLATION OF THIS PRODUCT BY AN INEXPERIENCED INSTALLER MAY RESULT IN PERSONAL INJURY OR DEATH!



- We reserves the right to change, update, modify, alter, redesign this manual/product or its policies without prior notice!
- It is your responsibility to visit the website to download or contact customer service for the most updated version of the installation instructions.
- We shall not be liable for any injuries or property damages in connection with this product during installation or use of this product!

NOTES:

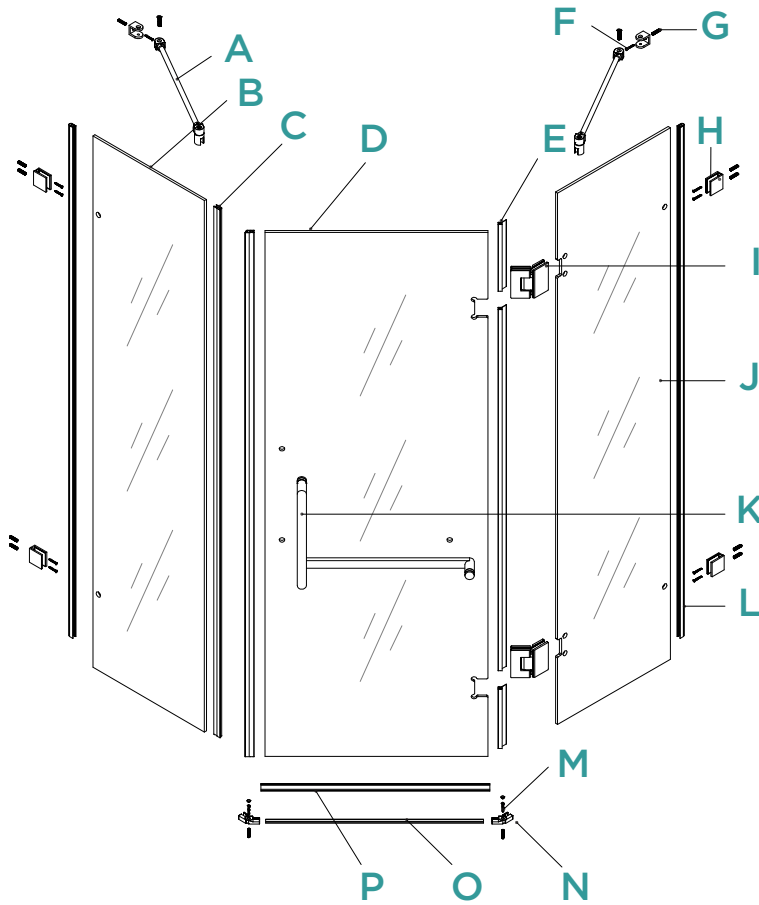
- Limited warranty is void on any commercial installation.
- We are not responsible for local code compliance for this product.
- Building and plumbing codes may vary from state-to-state in accordance to your location.
- We are not responsible for providing any compliance certifications.
- We are not responsible to provide any type of certifications for this product.
- Under no circumstances we shall not be liable for any and all incidental damages sustained in connection with this product Neither manufacture, nor distributor, nor retailer is responsible for water damage or flood caused due to use of this product.
- Under no circumstances We shall not be liable for any and all fees, cost defect. of installation/re-installation/removal, subsequent damage or transportation in case of the product defect.

ATTENTION:

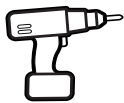
- Always rest glass on a leveled surface.
- The glass panels are tempered and cannot be cut.
- Fiberglass, acrylic or sheetrock construction might not be sufficiently strong enough to support the shower door enclosure. You should use the wood framing from behind the face edge of the stall to provide a secure mounting to the door. Apply a bead of silicone between the walls and base of the stall.
- For optimum performance, you should install the shower door perfectly level on a level surface.
- By not leveling the unit during construction the unit may leak causing possible water damage.



PARTS



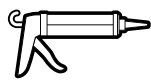
REQUIRED TOOLS



DRILL



LEVEL



SILICON GUN



MEASURE TAPE



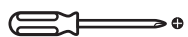
FLAT SCREWDRIVER



Ø6 DRILL BIT



PENCIL



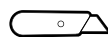
PHILLIPS SCREWDRIVER



Ø8 DRILL BIT



ALLEN KEY



UTILITY KNIFE

COMPONENTS AND HARDWARE

During unpacking the product and prior to installation inspect your new product for any damages or missing parts. Do not attempt to install or operate the product if the product is damaged.

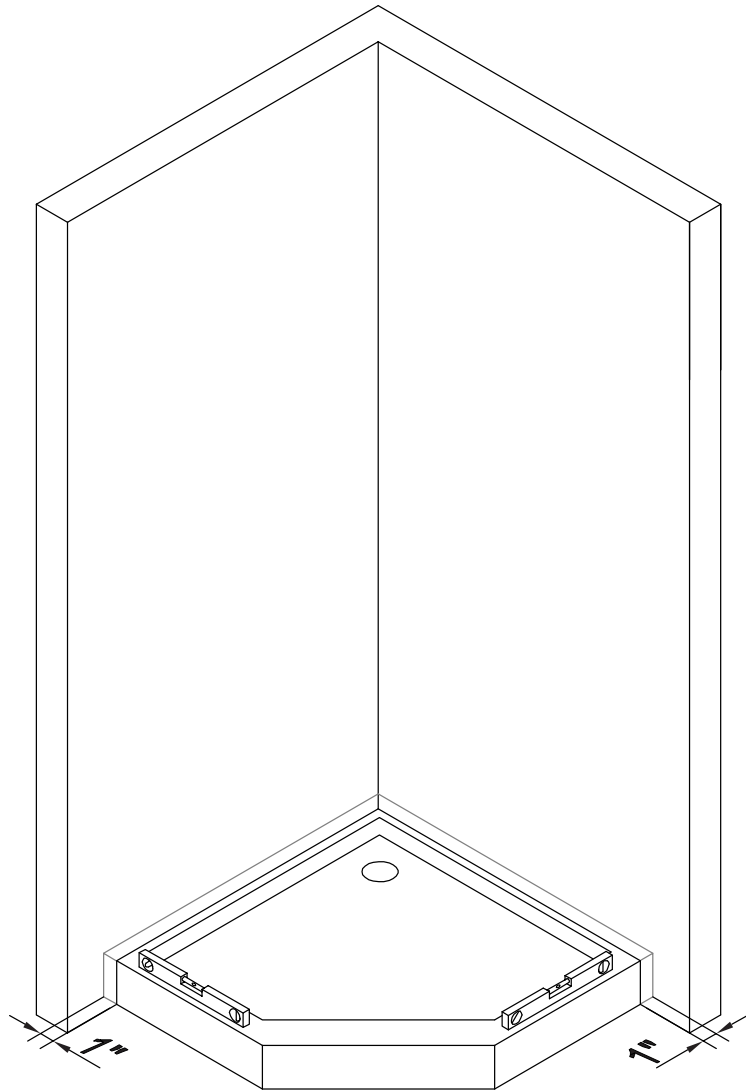
Part A		2 Pieces	Support Arm
Part B		1 Piece	Glass Panel
Part C		2 Pieces	Seal Strip
Part D		1 Piece	Glass Door
Part E		1 Piece	Seal Strip
Part F		10 Pieces	ST4 X 30 Screw
Part G		12 Pieces	Plastic Anchor
Part H		4 Pieces	Wall Bracket
Part I		2 Pieces	Door Hinge
Part J		1 Piece	Glass Panel
Part K		1 Piece	Door Handle
Part L		2 Pieces	Seal Strip
Part M		2 Pieces	ST4 x 20 Screw
Part N		2 Pieces	Bottom Hinges
Part O		1 Piece	Bottom Threshold
Part P		1 Piece	Seal Strip



1

ATTACHING THE BASE

Attach the base to the floor of the shower area.
(Professional installation recommended)





2

PREPARING THE FIRST FIXED GLASS PANEL

2.1

Attach the plastic seal strip (L) to the side of the fixed glass panel (J), as shown.

2.2

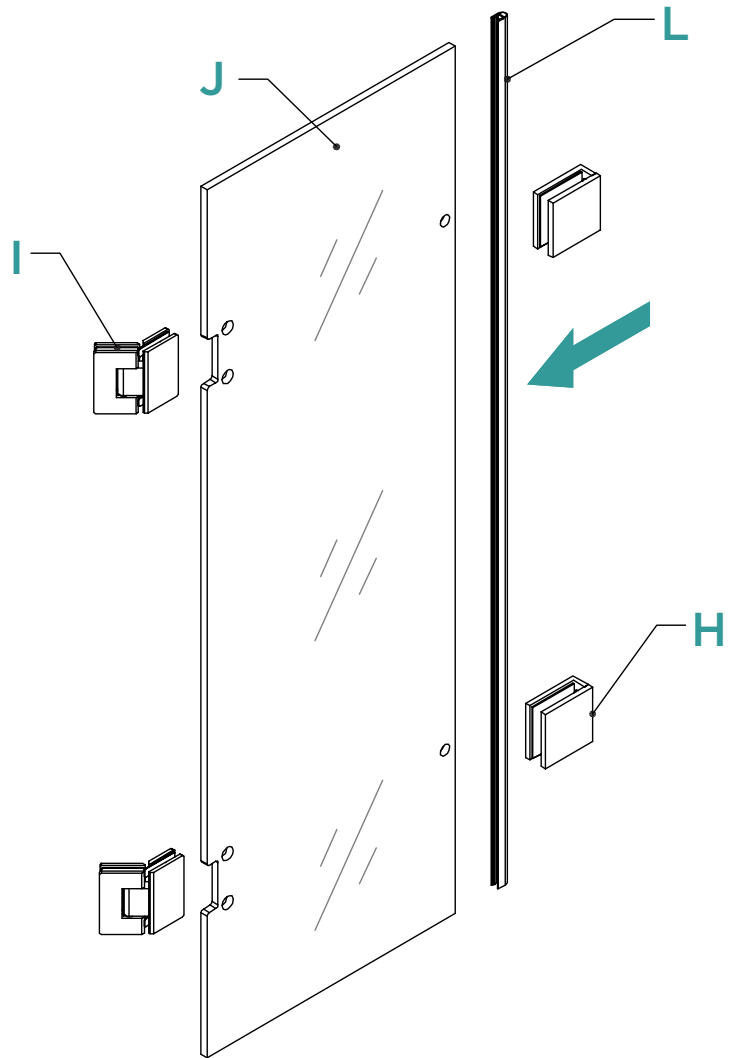
Attach the door joints (H) to one side of the panel (over the seal), using screws included with the door joints.

2.3

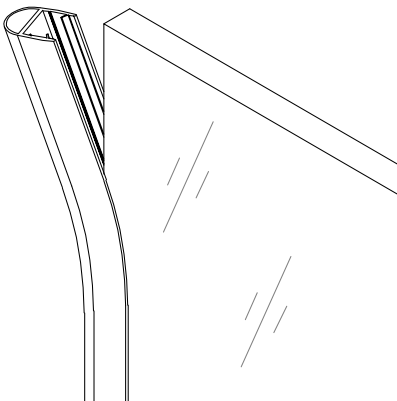
Attach the door joints (I) to the other side of the panel, to which the door will be attached.

NOTICE:

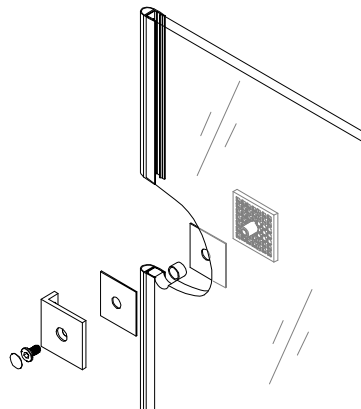
Use 2 pieces of thin rubber for our 10mm glasses on the hinge. If the glass isn't aligned properly, feel free to add additional rubber for better straightening.



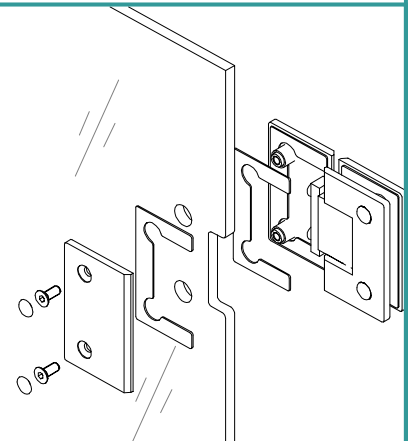
2.1



2.2



2.3





3

ATTACHING THE FIRST FIXED PANEL

3.1

Use a pencil to mark the screw points in the wall, based on the location of the joints (H).

3.2

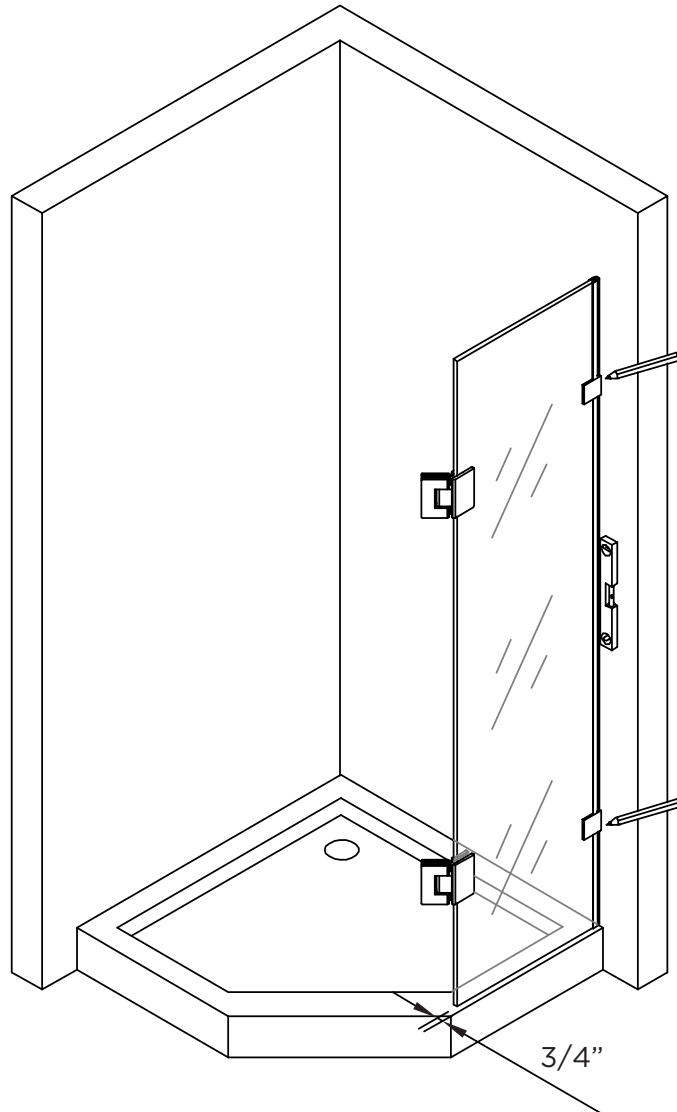
Use a size 6 drill bit to drill holes at the marked points. Insert the wall anchors (G) into the holes.

3.3

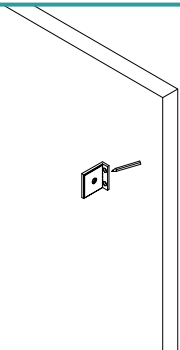
Attach the joints to the wall with screws (F).

3.4

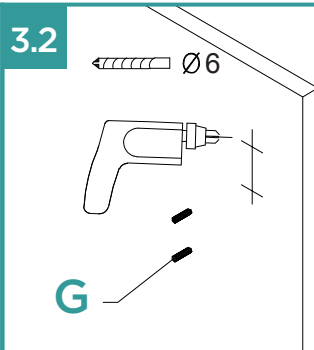
Attach the joints to the door using screws included with the joints.



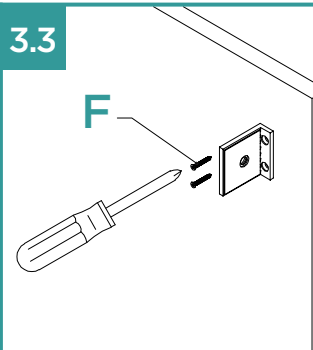
3.1



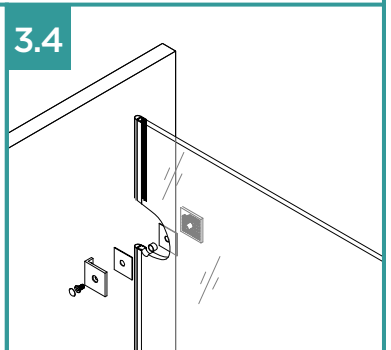
3.2



3.3



3.4





4

PREPARING THE SECOND FIXED GLASS PANEL

4.1

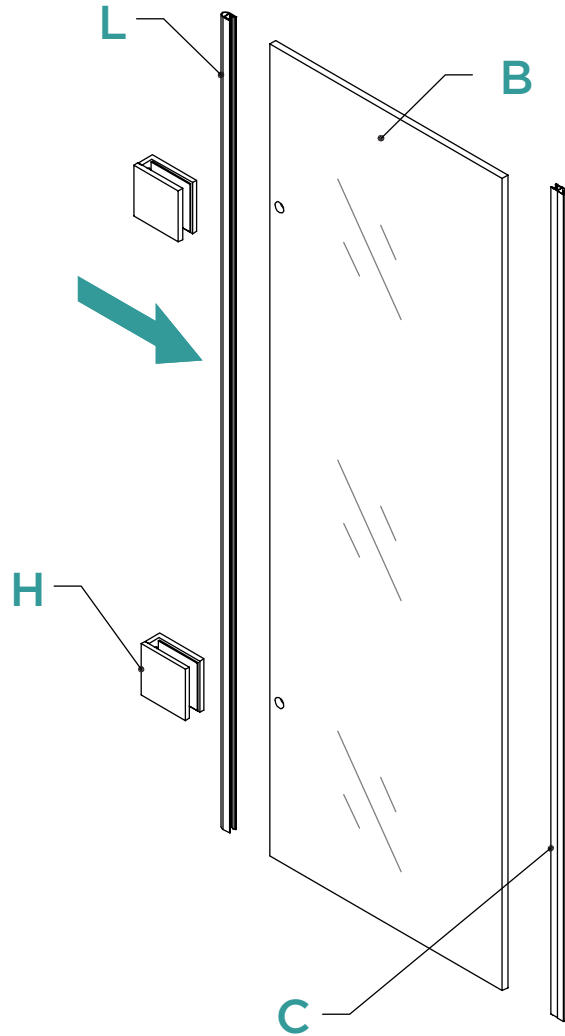
Attach the plastic seal strip (L) to the side of the fixed glass panel (B), as shown.

4.2

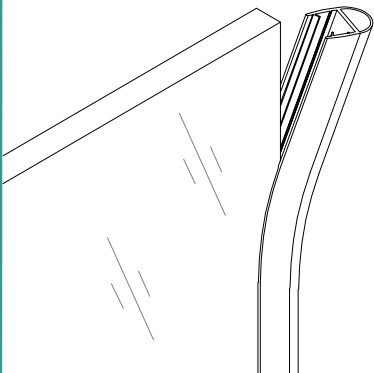
Attach the door joints (H) to one side of the panel (over the seal), using screws included with the door joints.

4.3

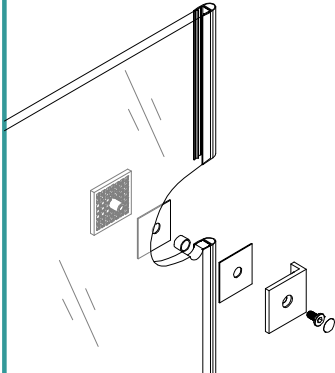
Attach the seal (C) to the other side of the panel.



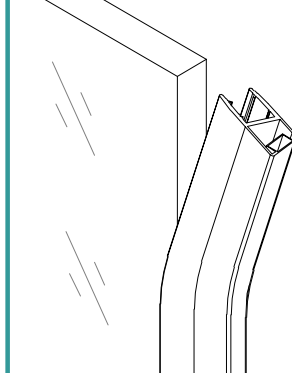
4.1



4.2



4.3





5

ATTACHING THE SECOND FIXED GLASS PANEL

5.1

Use a pencil to mark the screw points in the wall, based on the location of the joints (H).

5.2

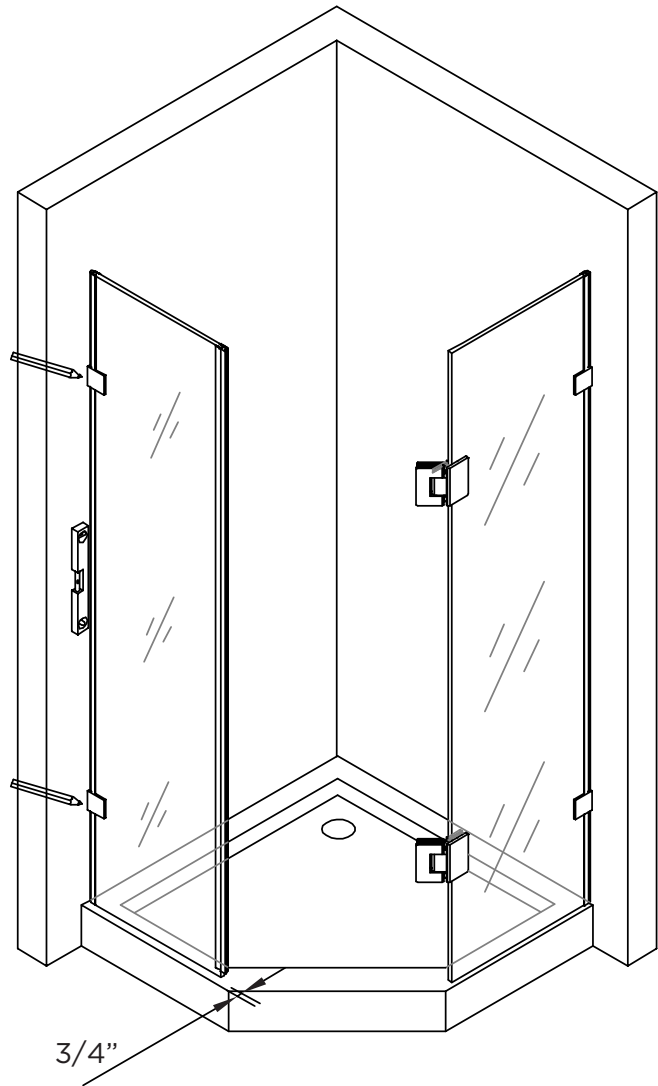
Use a size 6 drill bit to drill holes at the marked points. Insert the wall anchors (G) into the holes.

5.3

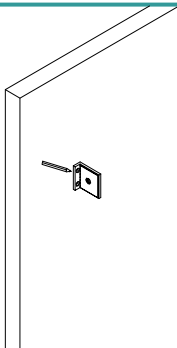
Attach the joints (H) to the wall with screws (F).

5.4

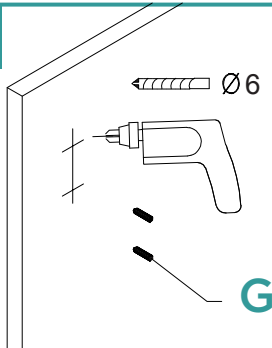
Attach the joints (H) to the door using screws included with the joints.



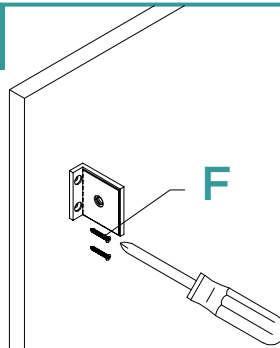
5.1



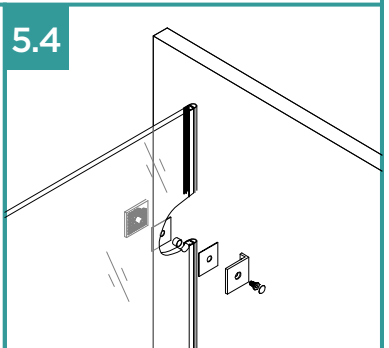
5.2



5.3



5.4





6

ATTACHING THE BOTTOM HINGES

6.1

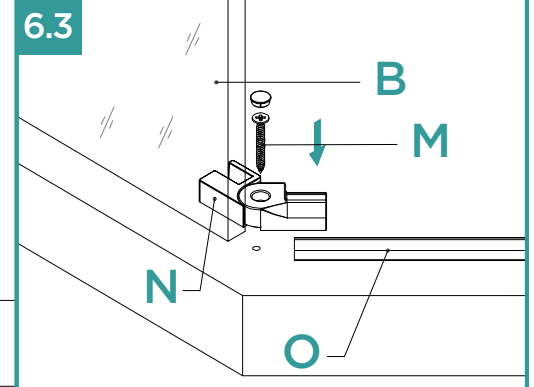
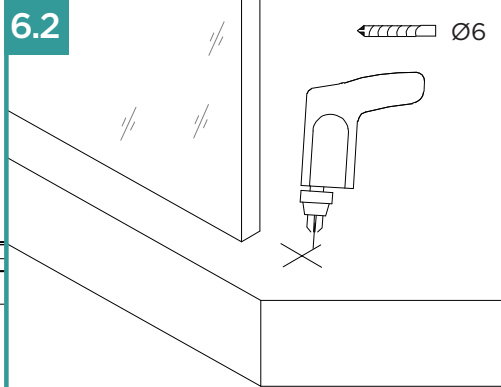
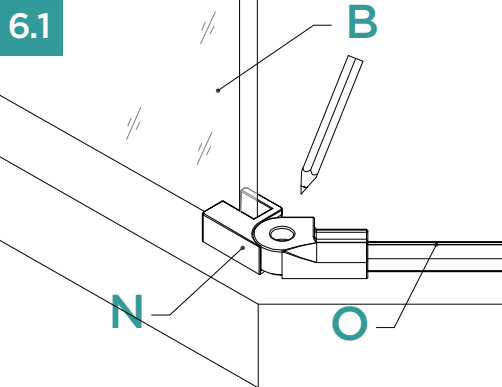
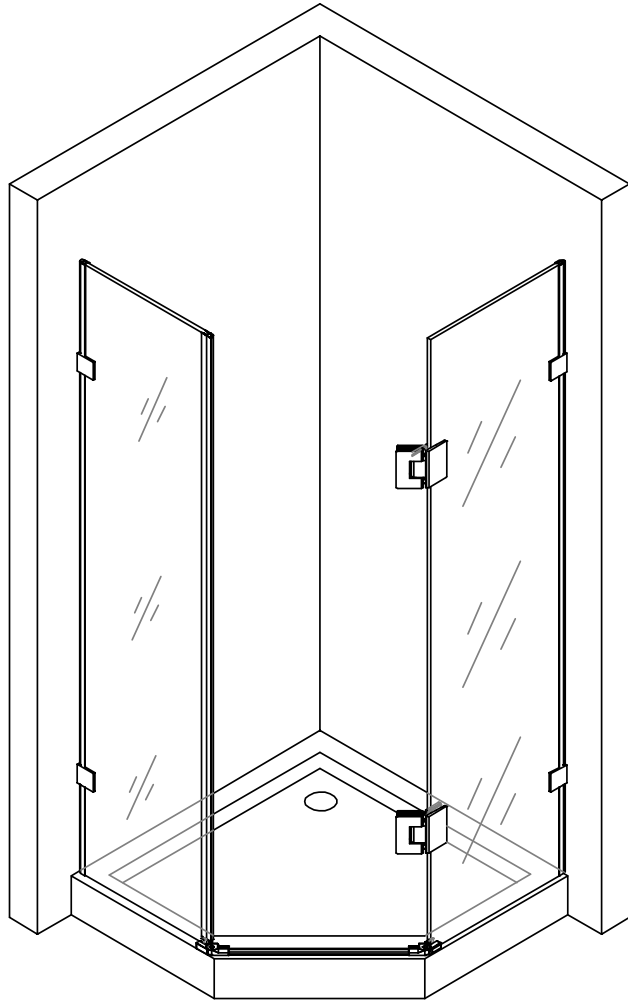
Use a pencil to mark the points in each glass pane where the screws for the bottom hinge (N) will be drilled.

6.2

Use a size Ø6 drill bit to drill holes at the marked points to insert the screws.

6.3

Attach the glass-to-glass bottom hinge (N) to the first fixed panel (B), using screws (M) over threshold (O).





7

ATTACHING THE SUPPORT ARMS

7.1

Use a pencil to mark the screw points for the support arm (A) on the wall. Use a size 6 drill bit to drill holes at the marked points.

7.2

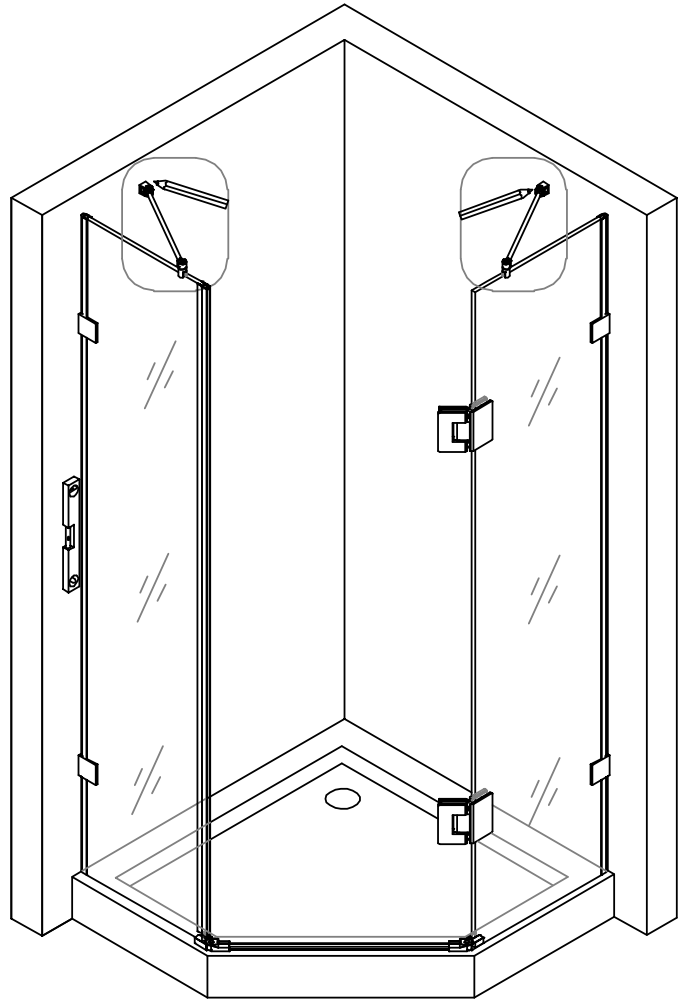
Insert the wall anchors (G) into the holes in the wall.

7.3

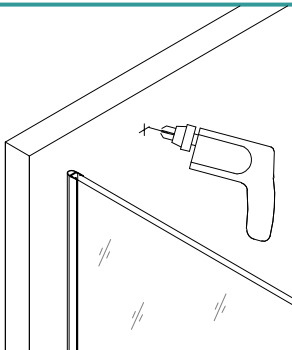
Attach one end of the support arm (A) to the wall, using screws (F).

7.4

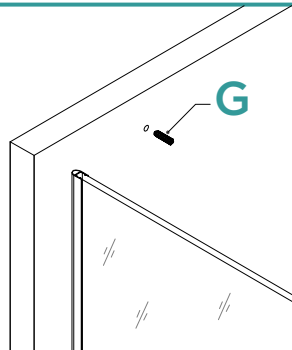
Attach the other end of the support arm (A) to the door, using screws (F). Tighten with the Allen key.



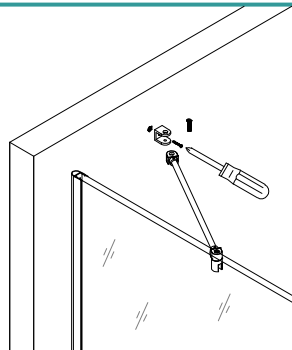
7.1



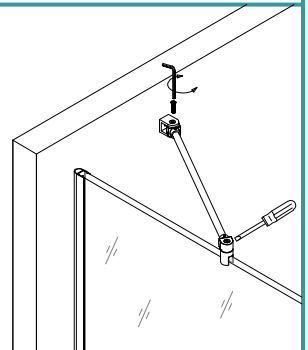
7.2



7.3



7.4





8

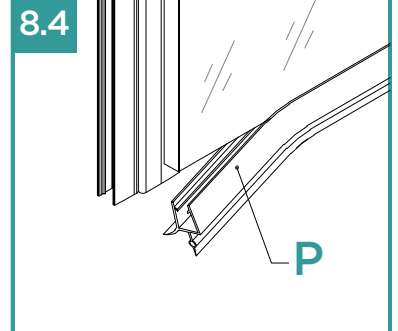
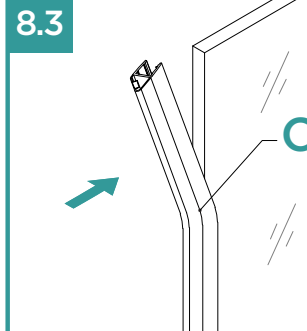
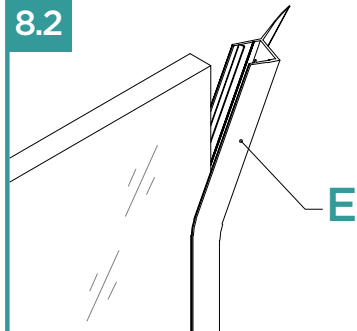
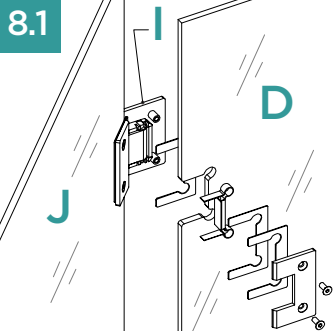
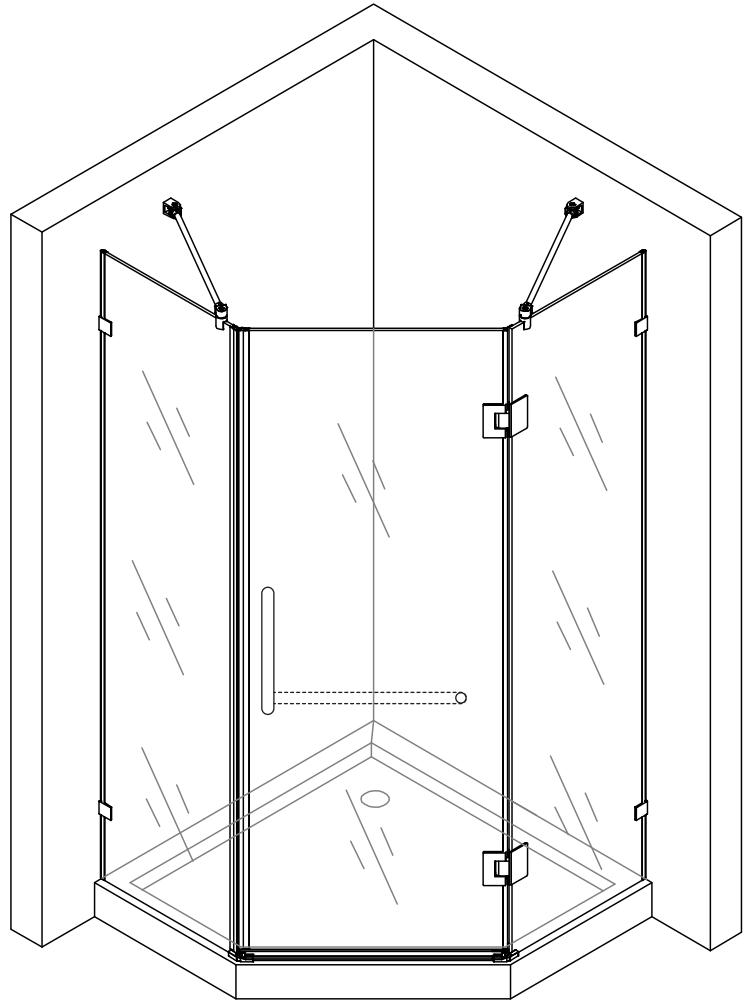
ATTACHING THE DOOR

8.1
Affix plastic seal (E) to the hinge side of glass door (D).

8.2
Attach the door (D) to the joints (I) of the fixed glass panel (J).

8.3
Affix plastic seals (C, P) to the length of the glass door (D).

8.4
Affix plastic seals (C, P) to the bottom of the glass door (D).



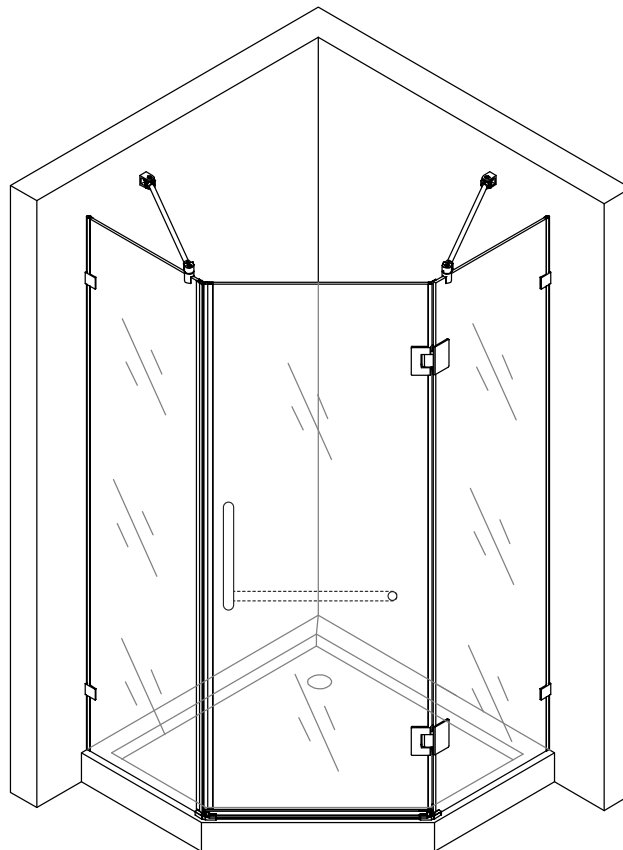
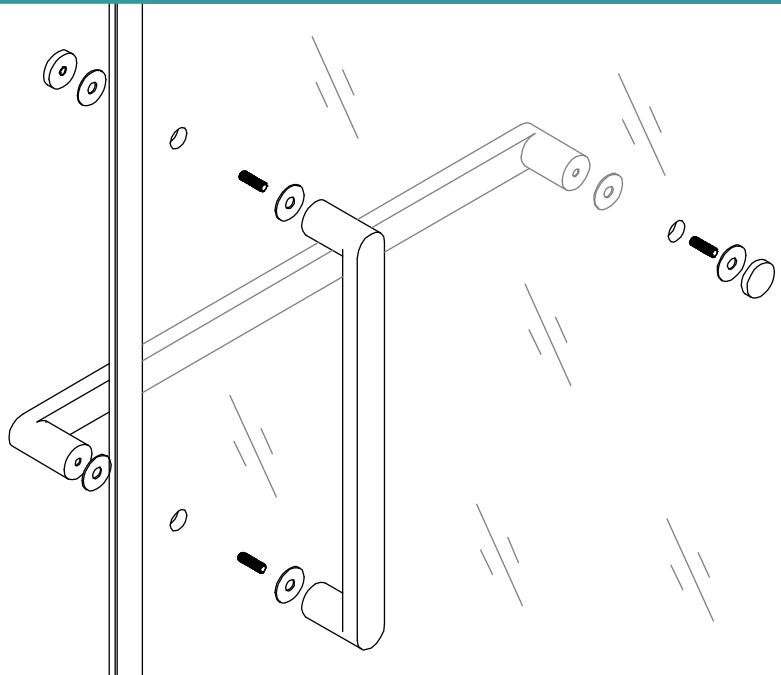


9

ATTACHING THE DOOR HANDLE

Attach the shorter door handle (K) vertically to the outer side of the glass door using screws included with the handle.

Attach the longer door handle (K) horizontally to the inner side of the glass door, using screws included with the handle.

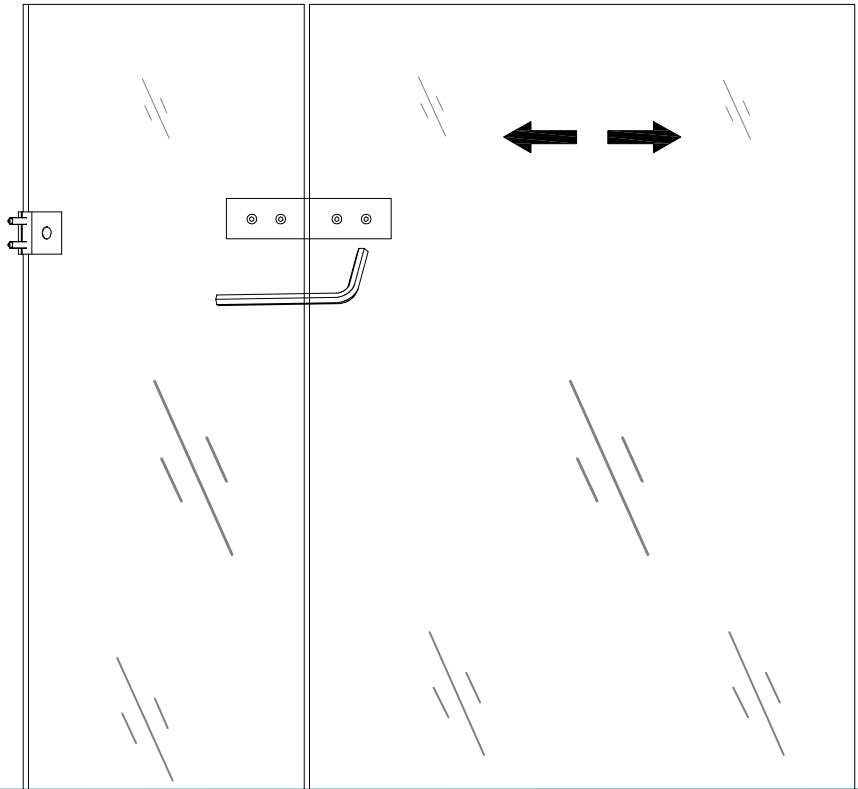




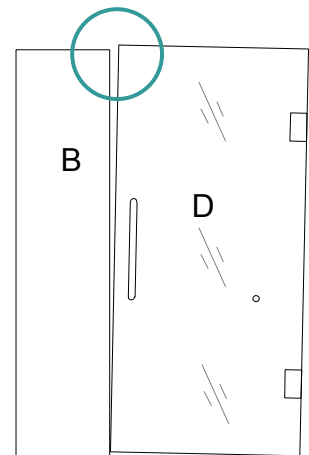
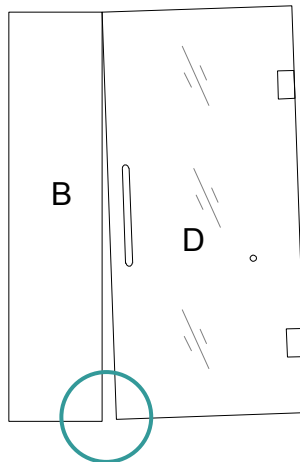
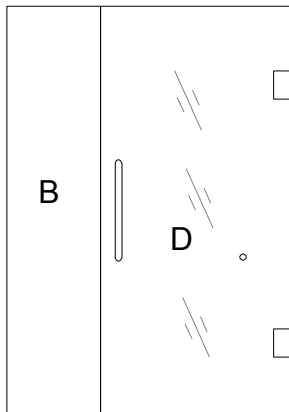
10

SECURING THE GLASS DOOR

Secure the screws on the glass door hinges with the Allen key.



Note: The correct position of the door is shown below:

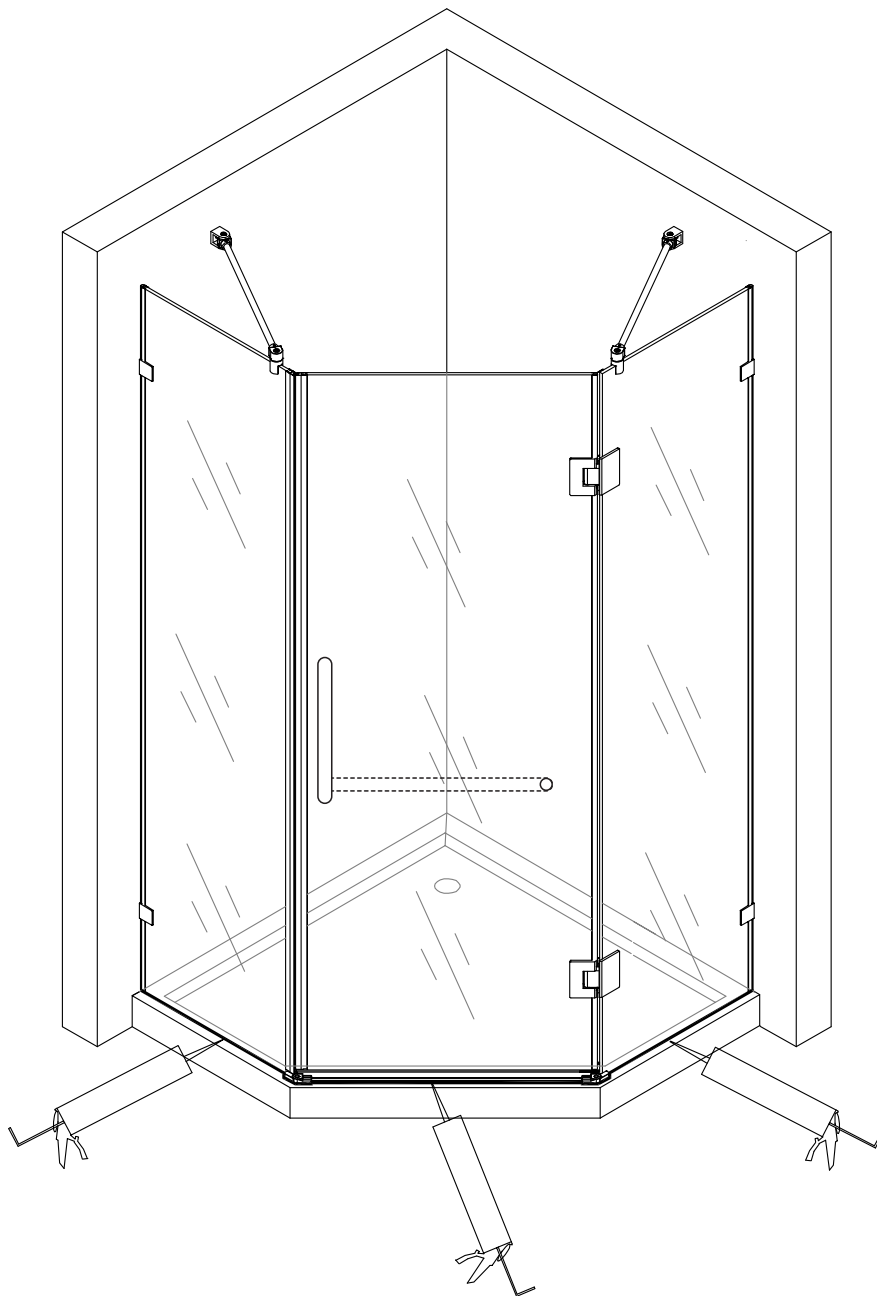




11

COMPLETING THE ASSEMBLY

Secure the seals, panels, and door with a caulking gun and high-quality silicone or bathroom grade caulk.

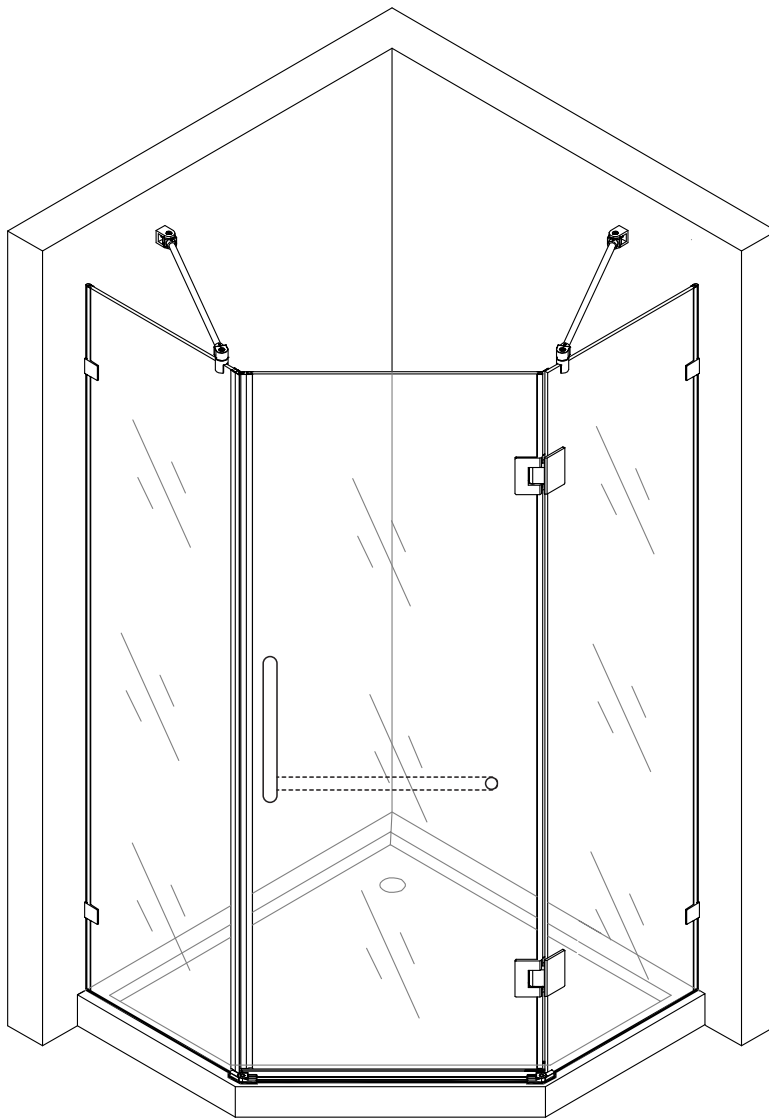




12

DRYING THE DOOR AND PANELS

Leave the shower unused for 24 hours, so that it can dry completely.



**AFTER
INSTALLATION**



**WAIT 24 HRS
BEFORE USE**



206 WEMBLY ROAD - NEW WINDSOR, NY 12553
P: 718.602.6060 F: 718.963.2082 - E: INFO@FINEFIXTURES.COM
TOLL FREE: 1.877.8FIXTURES
FINEFIXTURES.COM

