

# INSTALLATION INSTRUCTIONS

## TWO PIECE TOILET

---

REVERSIBLE TANK



**MODEL# MTTB20W**



**READ ALL INSTRUCTIONS BEFORE UNPACKING THE PRODUCT**



INSTRUCTIONS THAT, IF IGNORED, COULD RESULT IN DEATH OR SERIOUS INJURY CAUSED BY INCORRECT HANDLING OR INSTALLATION OF THE PRODUCT. THESE INSTRUCTIONS MUST BE OBSERVED FOR SAFE INSTALLATION.

**ATTENTION!**



**2 PEOPLE ARE REQUIRED TO LIFT AND DURING ENTIRE INSTALLATION OF THIS PRODUCT**



**INSTALLATION OF THIS PRODUCT BY AN INEXPERIENCED INSTALLER MAY RESULT IN PERSONAL INJURY OR DEATH!**



We reserves the right to change, update, modify, alter, redesign this manual/product or its policies without prior notice! It is your responsibility to visit the website to download or contact customer service for the most updated version of the installation instructions.

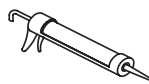
We shall not be liable for any injuries or property damages in connection with this product during installation or use of this product!

- Limited warranty is void on any commercial installation.
- We are not responsible for local code compliance for this product.
- Building and plumbing codes may vary from state-to-state in accordance to your location.
- We are not responsible for providing any compliance certifications.
- We are not responsible to provide any type of certifications for this product.
- Under no circumstances we shall not be liable for any and all incidental damages sustained in connection with this product Neither manufacture, nor distributor, nor retailer is responsible for water damage or flood caused due to use of this product.
- Under no circumstances We shall not be liable for any and all fees, cost of installation/re-installation/removal, subsequent damage or transportation in case of the product defect.

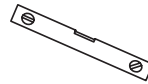
## TWO PIECE TOILET



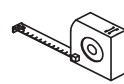
## TOOLS REQUIRED FOR INSTALLATION



Silicone



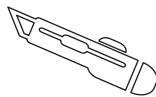
Level



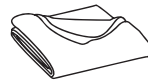
Tape Measure



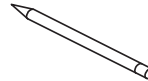
Socket extension



Knife



Soft Cloth



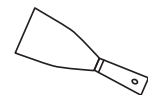
Pencil / Marker



Channel Pliers



Safety Glass



Putty Knife



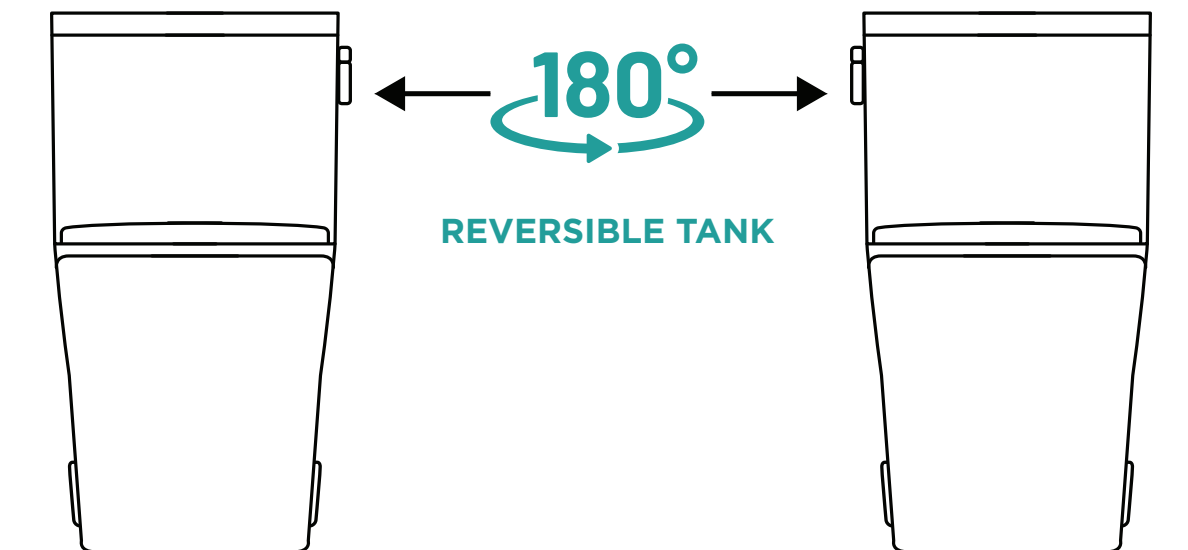
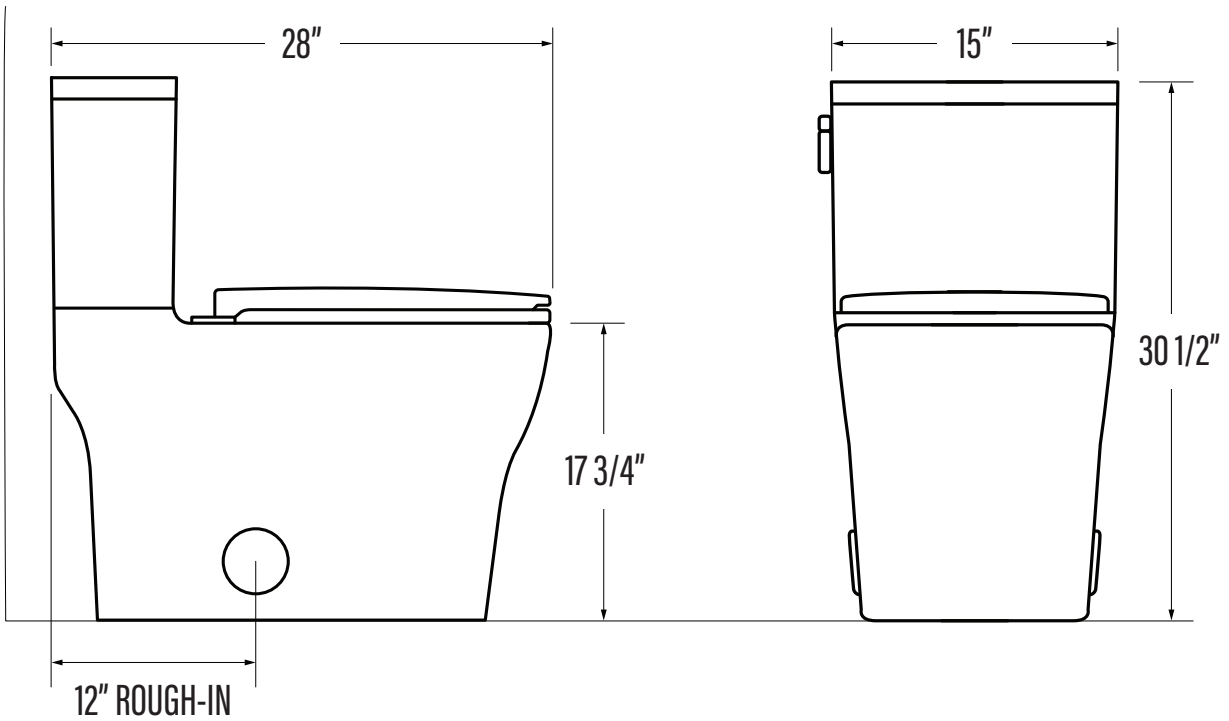
Wrench



Wrench



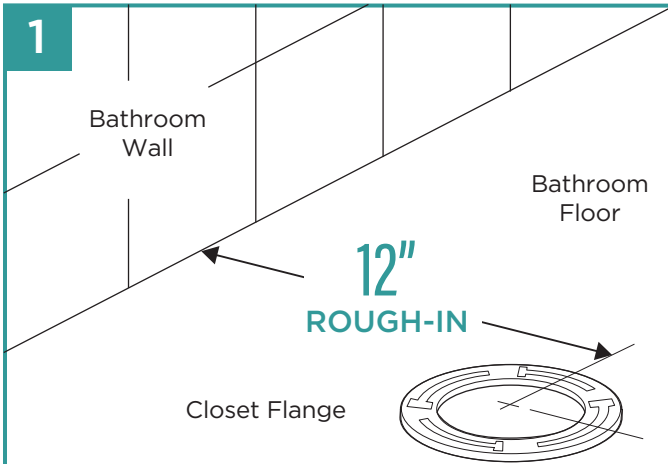
**DIMENSIONS/TECHNICAL DATA**  
**MODEL# MTTB20W**



**ATTENTION!** Dimensions may vary by up to 3/8". It is highly recommended to pull all dimensions of actual model for installation and measuring purposes.



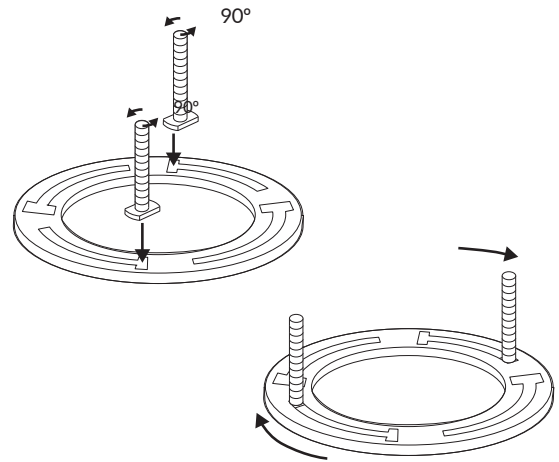
1



### PREPARE CLOSET FLANGE

- Make sure that rough-in is 12" by measuring the distance from the wall to the center of the closet flange.

2



- Insert 2 floor bolts inside of the toilet flange
- Slide the closet bolts through the holes and align bolts horizontally.

3

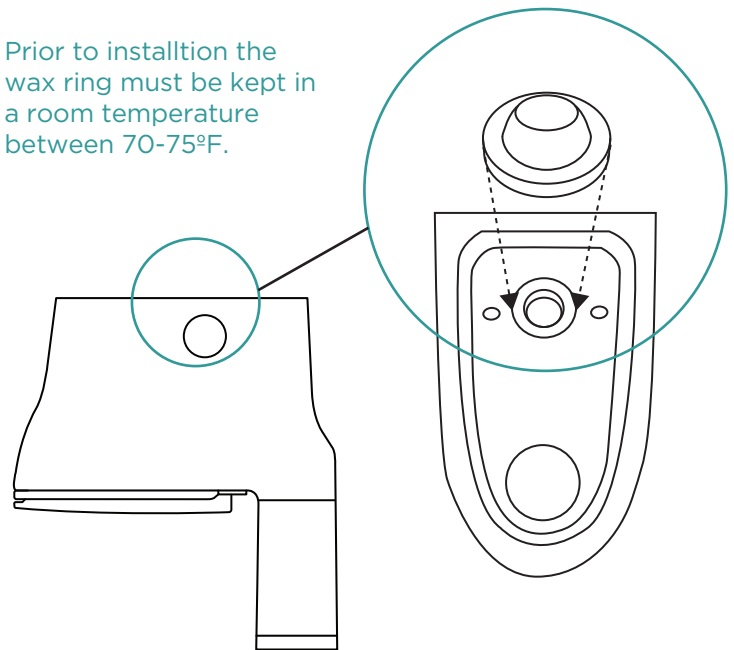
### INSTALL WAX RING

- Cover the floor with a soft-close blanket.
- Carefully turn the toilet on it's side or upside-down on the blanket with assistance of a second person.
- Install wax ring over the horn discharge located on the bottom of the toilet's bowl.

#### Note: Ceramic is a fragile material.

- You must always cover the floor with a soft-cloth blanket if you want to put the toilet on the floor on any side other than the bottom of the toilet.
- If you do not cover the floor with a soft-close blanket contact of the toilet with the floor may and will cause minor or moderate scratches on the toilet's surface.

Prior to installation the wax ring must be kept in a room temperature between 70-75°F.



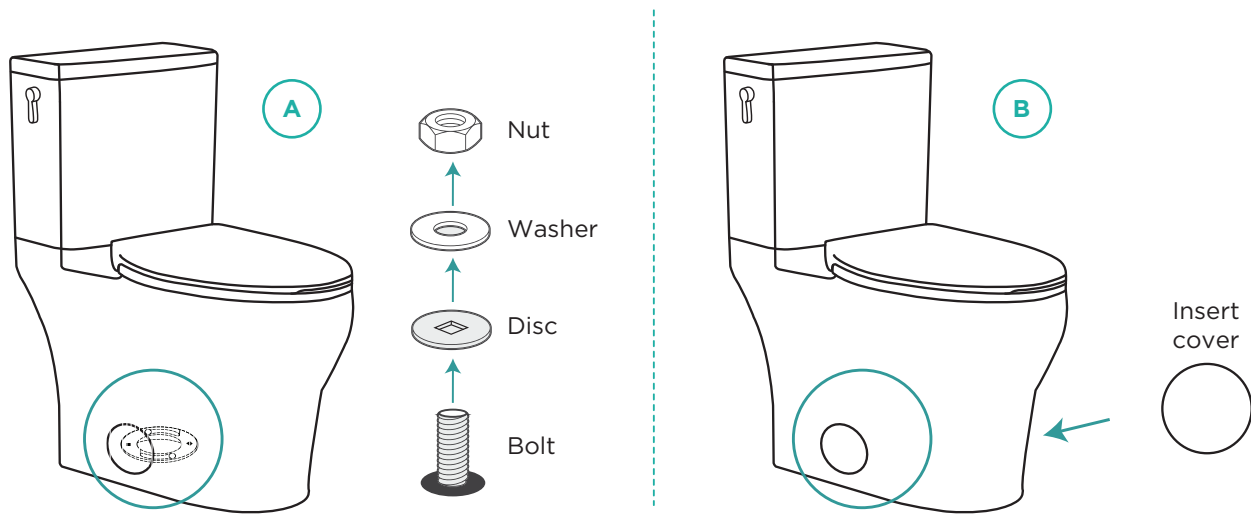
Always Use Soft-Cloth Blanket



4

### INSTALL CLOSET BOLTS

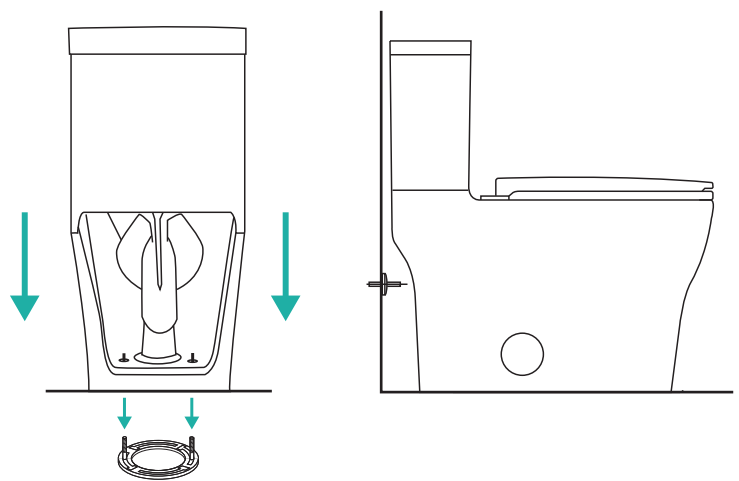
- Once the toilet is leveled install washers and nuts over the closet bolts.
- Tighten nuts.
- Do not overtighten the nuts, It may and will cause damage to the base.



5

### INSTALL NEW TOILET

- Lift and carefully put the toilet over the closet flange so the closet bolts can go through the mounting holes in the toilet's base.
- Once the bowl is in the position press the bowl down with slight twisting motion in level position towards the floor.
- Apply your body weight to evenly compress the wax ring to create watertight seal.
- Make sure that the bowl is as leveled as possible to have a nice seal tight.
- Do not rock the toilet back and forth and side to side as it may and will break a seal and you will need to replace the wax ring again and start the installation process over.

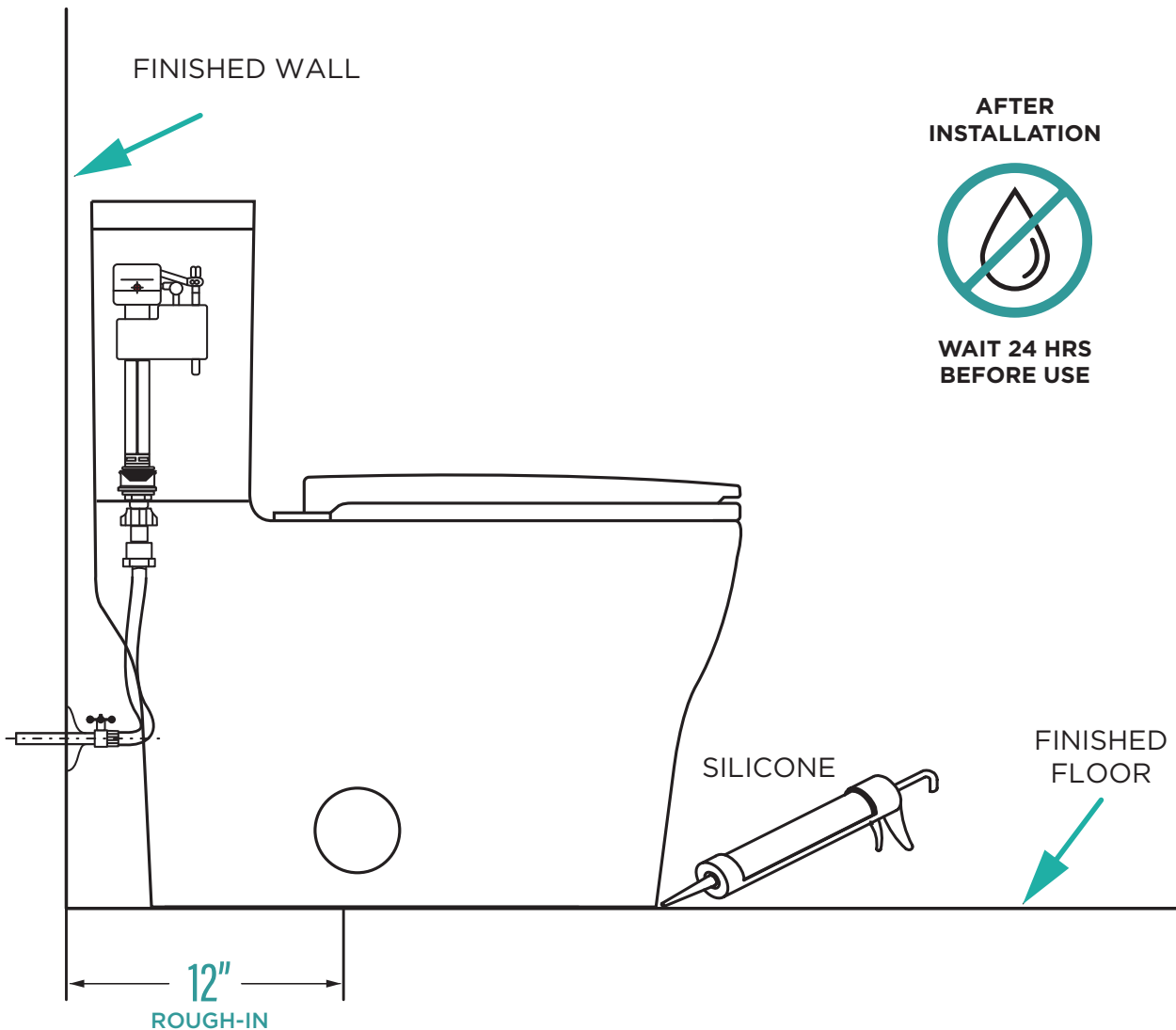




6

## CONNECT TANK TOILET TO WATER SUPPLY LINE

- Connect the water supply line between the tank and water shut-off valve using a toilet hose.
- When connecting toilet hose tighten coupling nut to the tank by 1/4 turn beyond the hand tight.
- Turn on valve on water supply line and allow tank to fill.
- Check all connections for leakages and tighten as needed.
- Once tank is filled with water flush it 4-5 times to perform a test of the flushing system.
- At the same time check the bottom of the toilet for leaks to make sure that the wax ring is properly installed and sealed.





**RETAIN THIS INSTALLATION MANUAL FOR FUTURE REFERENCE.**



206 WEMBLY ROAD - NEW WINDSOR, NY 12553  
P: 718.602.6060 F: 718.963.2082 - E: INFO@FINEFIXTURES.COM  
TOLL FREE: 1.877.8FIXTURES

[FINEFIXTURES.COM](http://FINEFIXTURES.COM)

