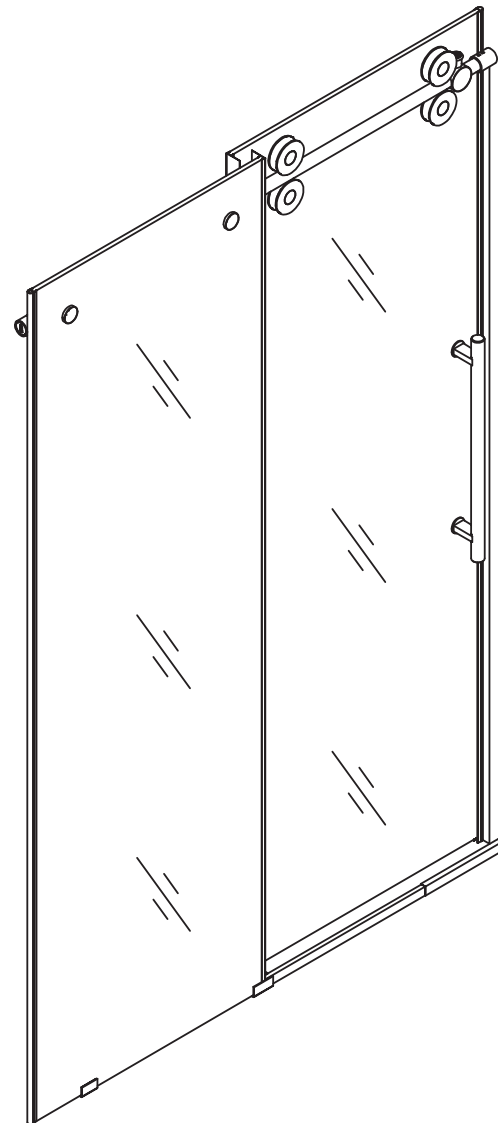


# INSTALLATION MANUAL

## SHOWER DOOR

SLIDING FRAMELESS

---



**MODEL# SDA**



## READ ALL INSTRUCTIONS BEFORE UNPACKING THE PRODUCT



INSTRUCTIONS THAT, IF IGNORED, COULD RESULT IN DEATH OR SERIOUS INJURY CAUSED BY INCORRECT HANDLING OR INSTALLATION OF THE PRODUCT. THESE INSTRUCTIONS MUST BE OBSERVED FOR SAFE INSTALLATION.6

## ATTENTION!



2 PEOPLE ARE REQUIRED TO LIFT AND DURING ENTIRE INSTALLATION OF THIS PRODUCT



INSTALLATION OF THIS PRODUCT BY AN INEXPERIENCED INSTALLER MAY RESULT IN PERSONAL INJURY OR DEATH!



- We reserves the right to change, update, modify, alter, redesign this manual/product or its policies without prior notice!
- It is your responsibility to visit the website to download or contact customer service for the most updated version of the installation instructions.
- We shall not be liable for any injuries or property damages in connection with this product during installation or use of this product!

### NOTES:

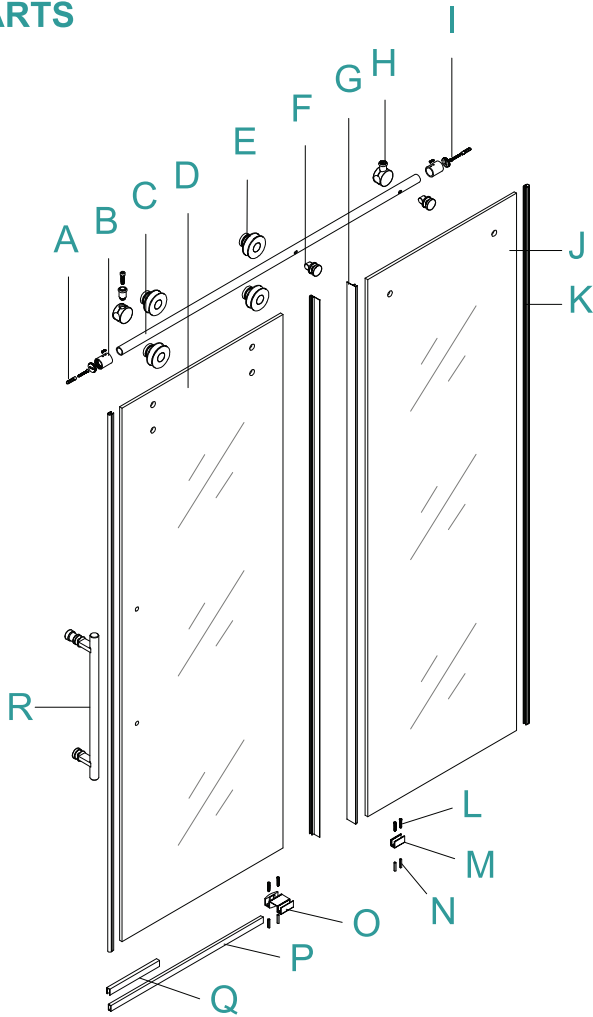
- Limited warranty is void on any commercial installation.
- We are not responsible for local code compliance for this product.
- Building and plumbing codes may vary from state-to-state in accordance to your location.
- We are not responsible for providing any compliance certifications.
- We are not responsible to provide any type of certifications for this product.
- Under no circumstances we shall not be liable for any and all incidental damages sustained in connection with this product Neither manufacture, nor distributor, nor retailer is responsible for water damage or flood caused due to use of this product.
- Under no circumstances We shall not be liable for any and all fees, cost defect of installation/re-installation/removal, subseuent damage or transportation in case of the product defect.

### ATTENTION:

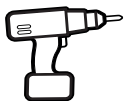
- Always rest glass on a leveled surface.
- The glass panels are tempered and cannot be cut.
- Fiberglass, acrylic or sheetrock construction might not be sufficiently strong enough to support the shower door enclosure. You should use the wood framing from behind the face edge of the stall to provide a secure mounting to the door, Apply a bead of silicone between the walls and base of the stall.
- For optimum performance, you should install the shower door perfectly level on a level surface.
- By not leveling the unit during construction the unit may leak causing possible water damage.



## PARTS



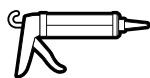
## REQUIRED TOOLS



DRILL



LEVEL



SILICON GUN



MEASURE TAPE



FLAT SCREWDRIVER



Ø6 DRILL BIT



PENCIL



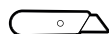
PHILLIPS SCREWDRIVER



Ø8 DRILL BIT



ALLEN KEY



UTILITY KNIFE

## COMPONENTS AND HARDWARE

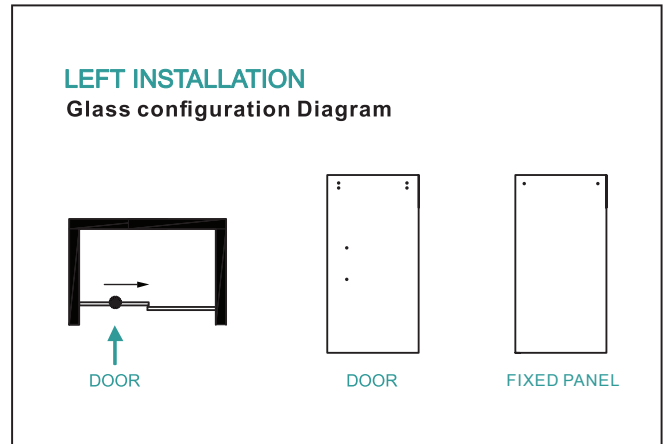
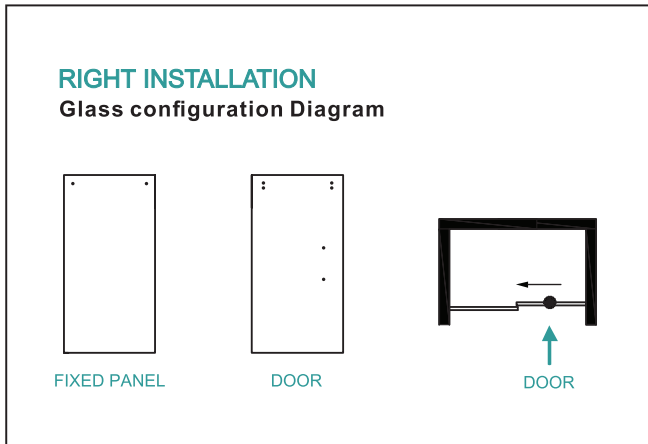
During unpacking the product and prior to installation inspect your new product for any damages or missing parts. Do not attempt to install or operate the product if the product is damaged.

Part <b>A</b>	 Ø8	2 Pieces	Plastic Anchor
Part <b>B</b>		2 Pieces	Wall Bracket
Part <b>C</b>		1 Piece	Door Rail
Part <b>D</b>		1 Piece	Sliding Door
Part <b>E</b>		4 Pieces	Door Roller
Part <b>F</b>		2 Pieces	Panel Holder
Part <b>G</b>		2 Pieces	Seal Strip
Part <b>H</b>		2 Pieces	Door Stopper
Part <b>I</b>	 ST5X40	2 Pieces	St5 Screw 40mm
Part <b>J</b>		1 Piece	Fixed Panel
Part <b>K</b>		2 Pieces	Seal Strip
Part <b>L</b>	 ST4X20	4 Pieces	ST4 Screw 20mm
Part <b>M</b>		1 Piece	Panel Clip
Part <b>N</b>		4 Pieces	Plastic Anchor
Part <b>O</b>		1 Piece	Guide Block
Part <b>P</b>		1 Piece	Door Threshold
Part <b>Q</b>		1 Piece	Threshold Extension
Part <b>R</b>		1 Piece	Door Handle



## IMPORTANT!

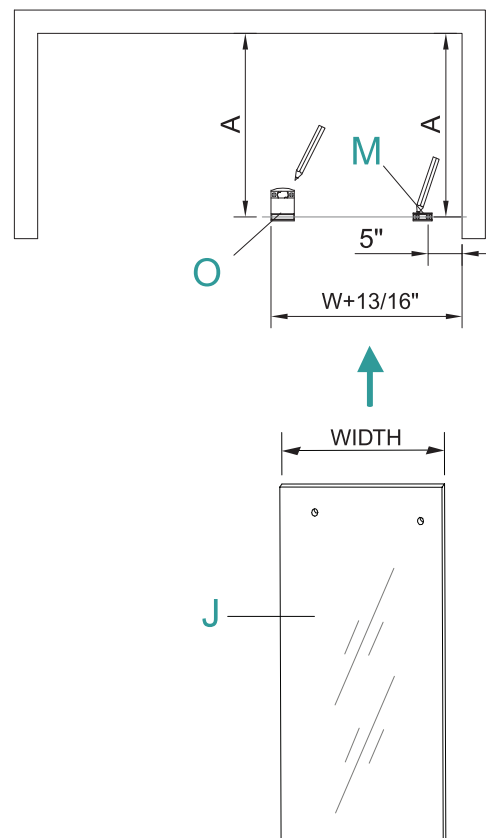
THE CLEAR GLASS MODEL HAS A REVERSIBLE DOOR AND CAN BE INSTALLED TO THE RIGHT OR LEFT SIDE.  
(SEE CONFIGURATION DIAGRAM BELOW)



1

## INSTALLING THE DOOR GUIDE BLOCK (O) AND PANEL CLIP (M).

Measure and mark the floor according to the width of the fixed panel(J).





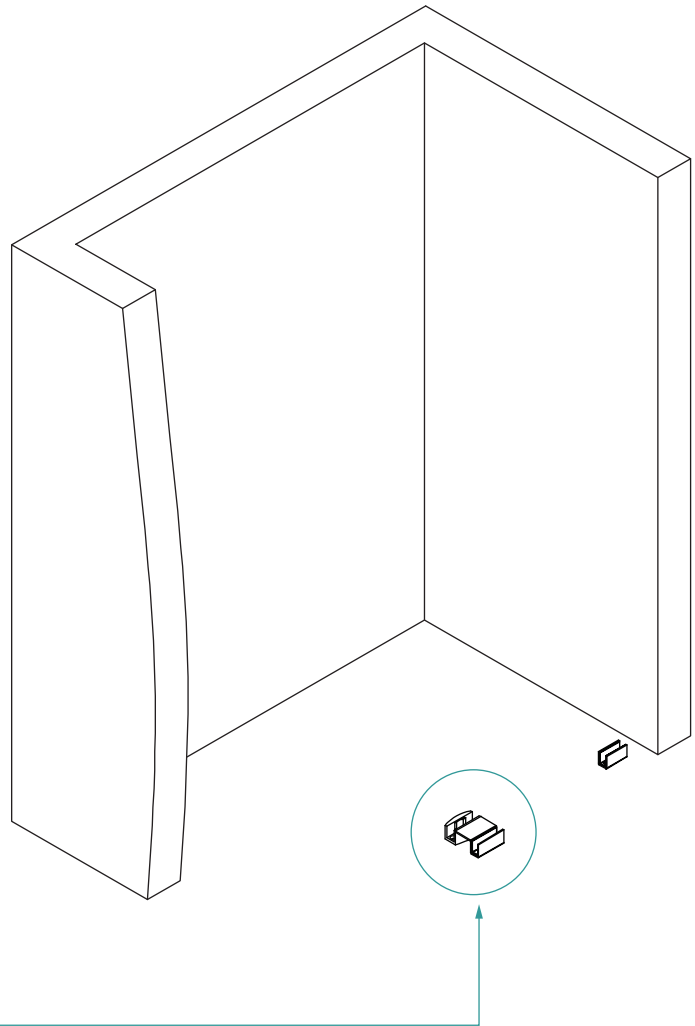
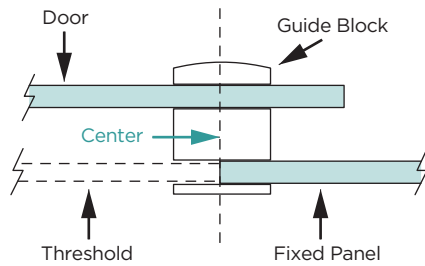
## 2

### INSTALLING THE DOOR GUIDE BLOCK (O) AND PANEL CLIP (M).

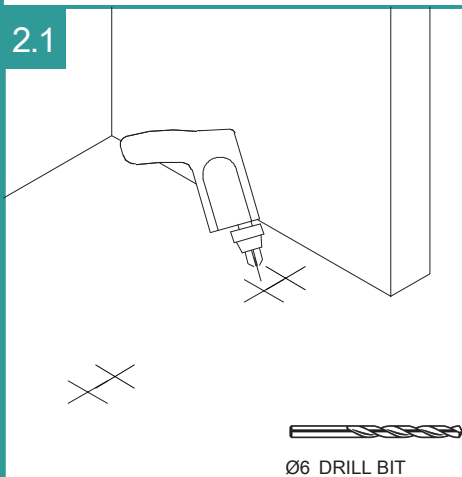
- 2.1 Drill the floor on the marked location with the  $\text{Ø}6$  drill bit.
- 2.2 Insert the plastic anchors (N) into the drilled holes.
- 2.3 Install the guide block (O) and the panel clip (M) on the floor with ST4 (L) screws.

#### NOTE:

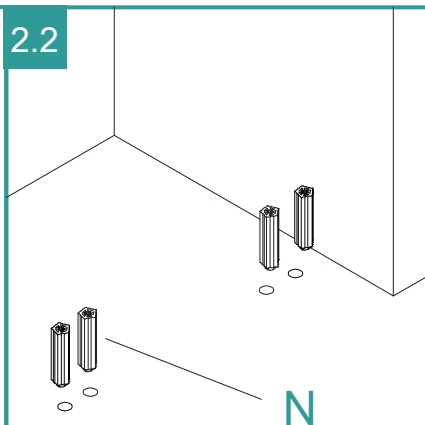
The edge of the fixed panel sets the center point for positioning the guide block during installation.



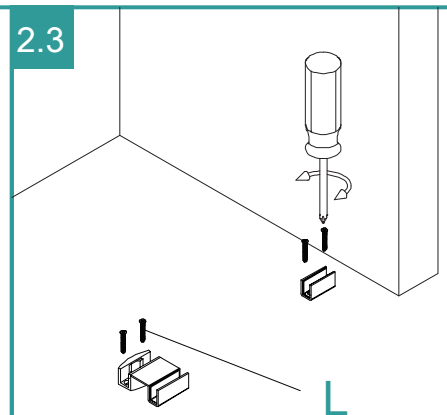
2.1



2.2



2.3



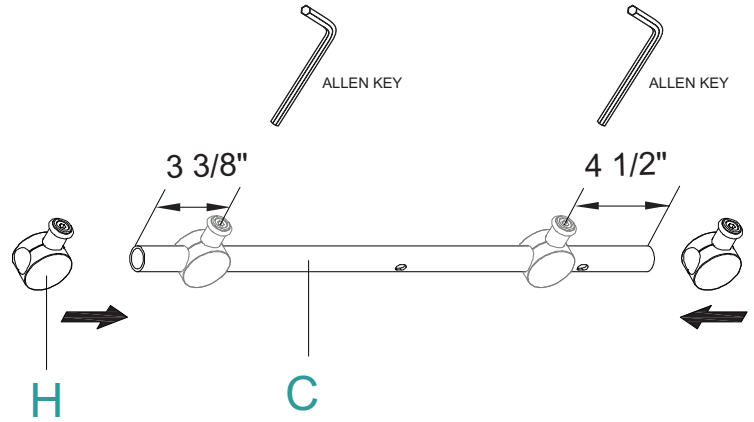


# 3

## INSTALLING THE RAIL (C) AND COMPONENTS.

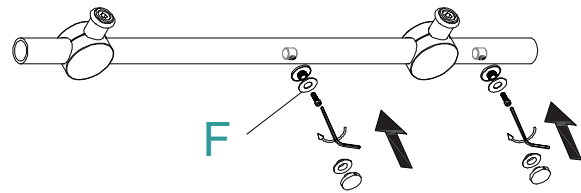
3.1  
Insert the door stoppers (H) into the rail, and tighten them with an Allen Key.

3.1



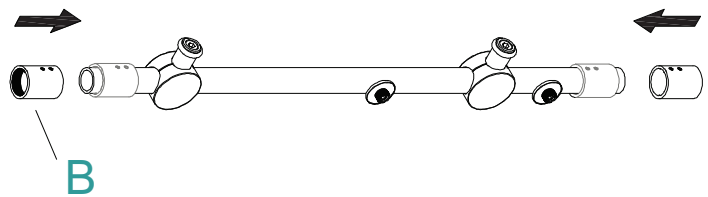
3.2  
Install panel holders (F) onto the rail with an Allen Key.

3.2



3.3  
Insert the wall brackets (B) on the rail.

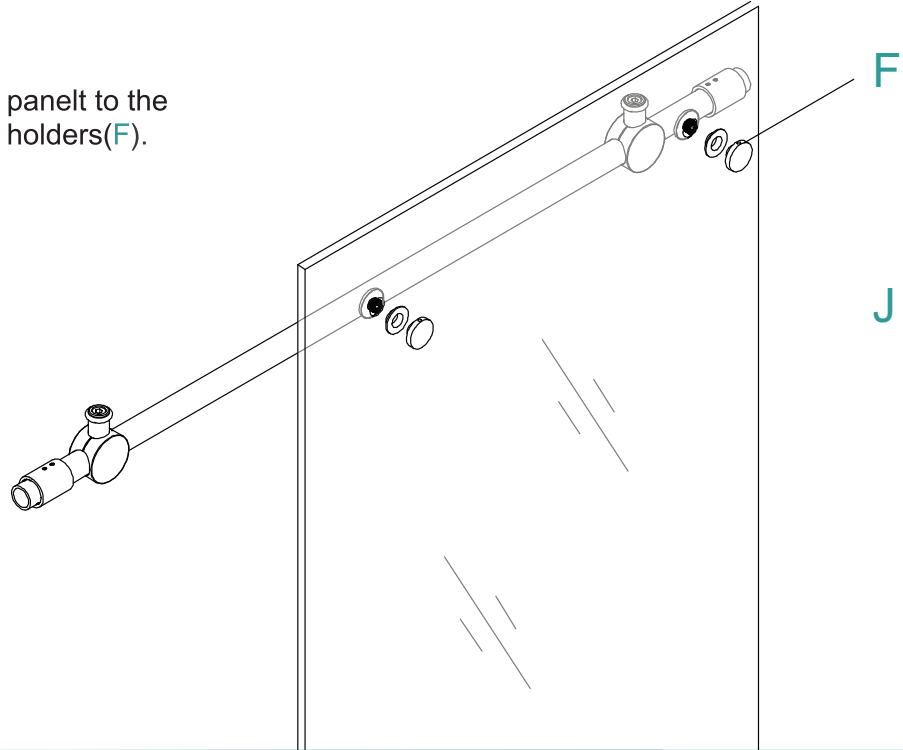
3.3





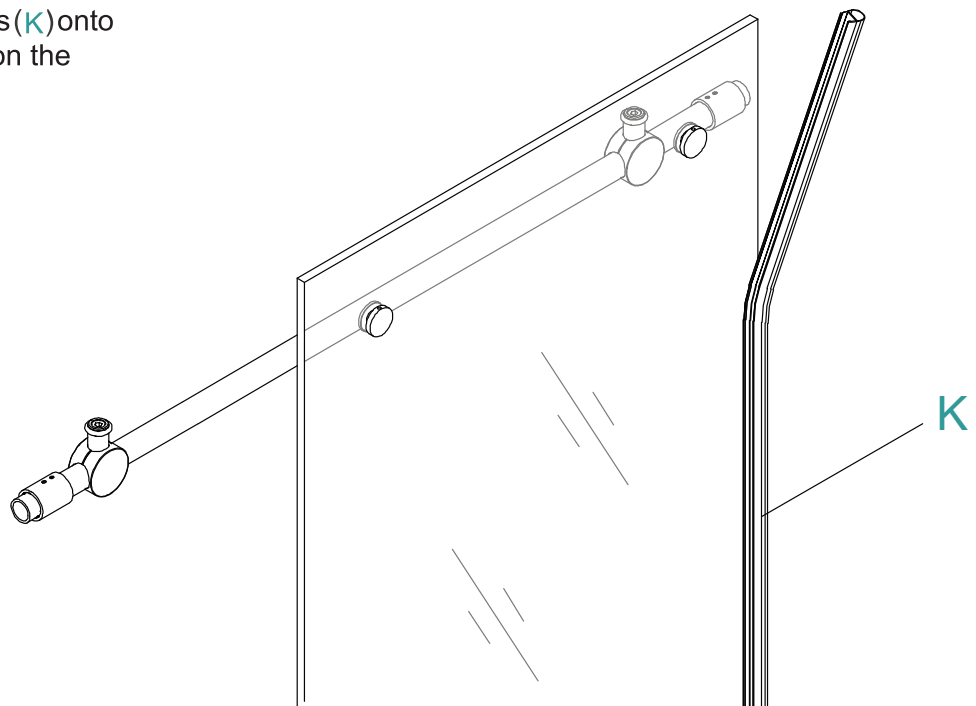
4

Connect the fixed panel to the rail with the panel holders(F).



4.1

4.1  
Slide the seal strips(K) onto of the fixed panel on the interior side.





# 5

## INSTALLING THE RAIL AND FIXED PANEL.

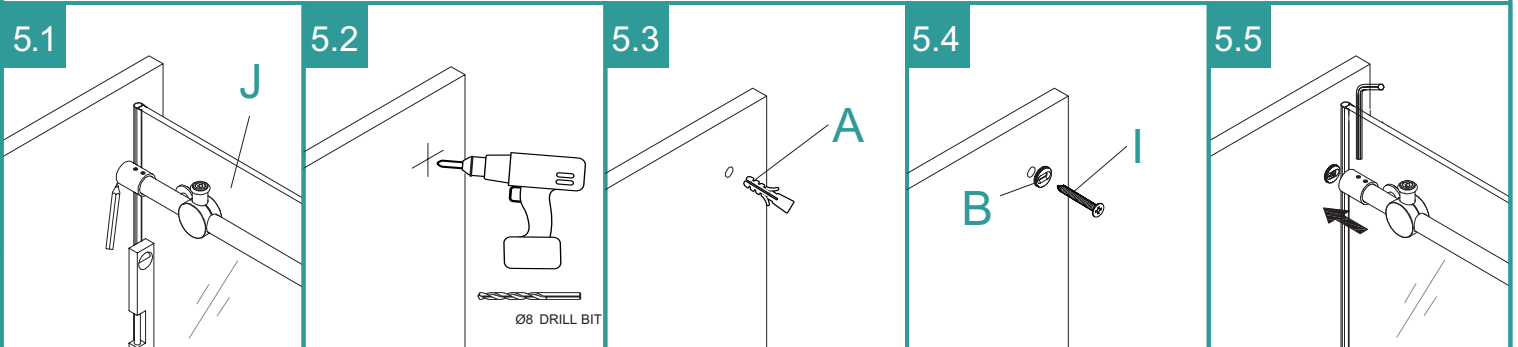
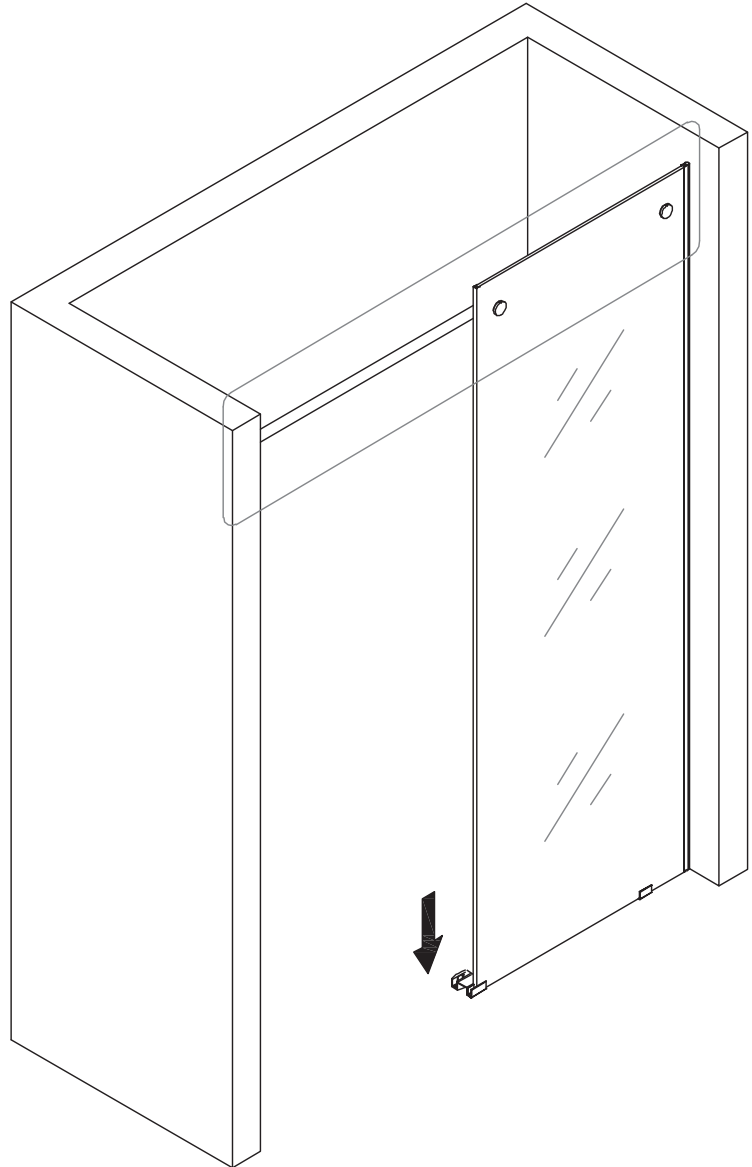
5.1  
insert the panel(J) into the guide block(O) and the panel clip(M) on the floor, level the door, and mark the location of where the rail is supposed to be mounted on the wall.

5.2  
Drill a hole in the wall on the marked location with Ø8 drill bit.

5.3  
Insert the plastic anchor(A) into the hole.

5.4  
Install the exterior part of the wall bracket(B) onto the wall with screw(I).

5.5  
Connect the rail to the wall mounted bracket with an Allen Key.





6

## PREPARE FOR THE SLIDING DOOR (D) INSTALLATION.

Make sure you have all parts and components.





# 7

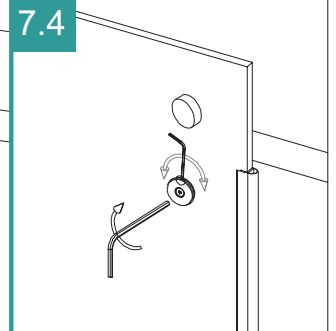
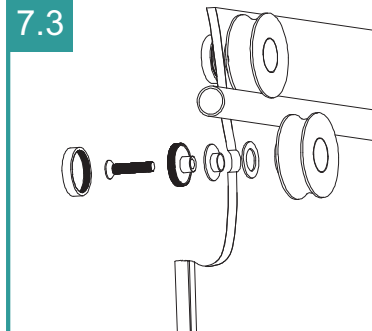
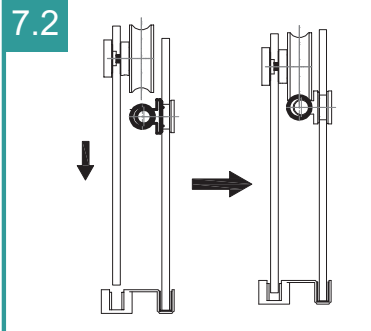
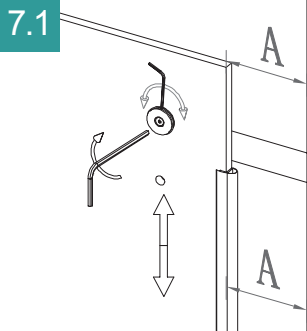
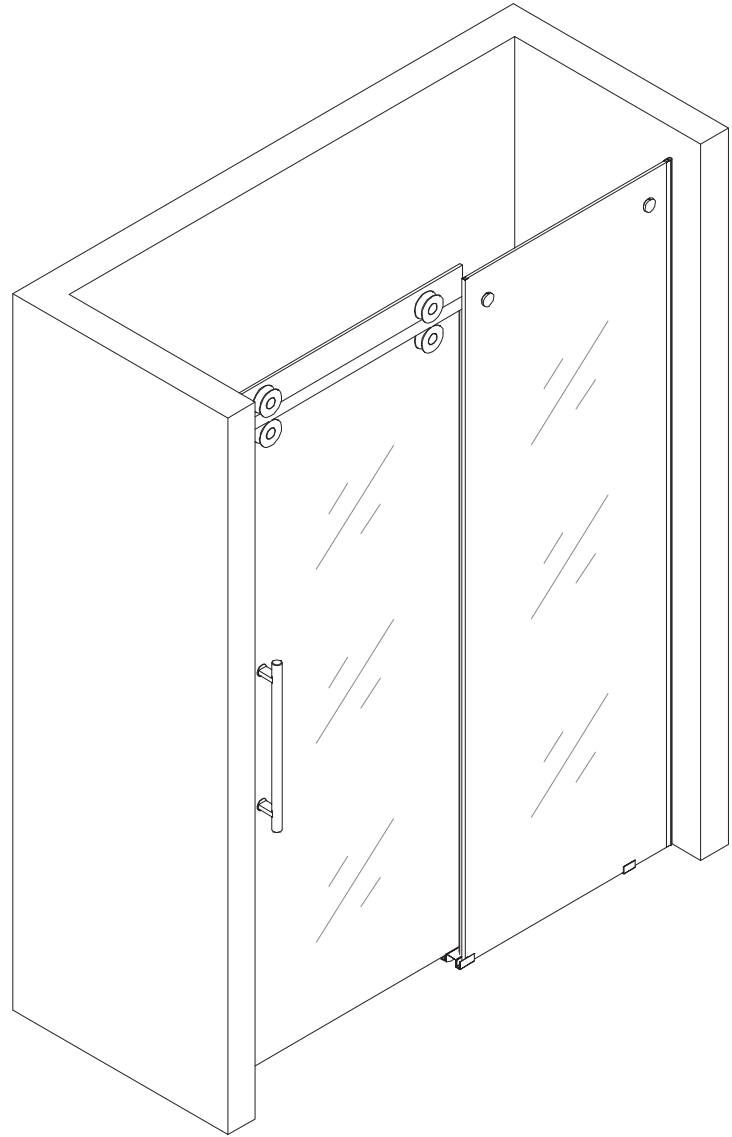
## INSTALLING THE DOOR AND ROLLERS ONTO THE RAIL.

7.1  
Install the top rollers(E)  
onto the door(D).

7.2  
Position firmly the rollers  
onto the rail.

7.3  
Install the bottom rollers(E)  
onto the door(D).

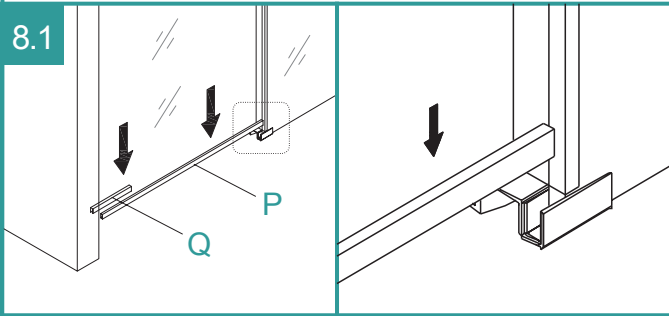
7.4  
Tighten the bottom rollers.





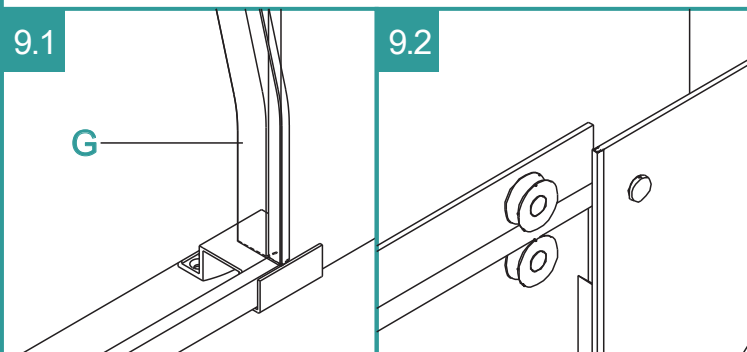
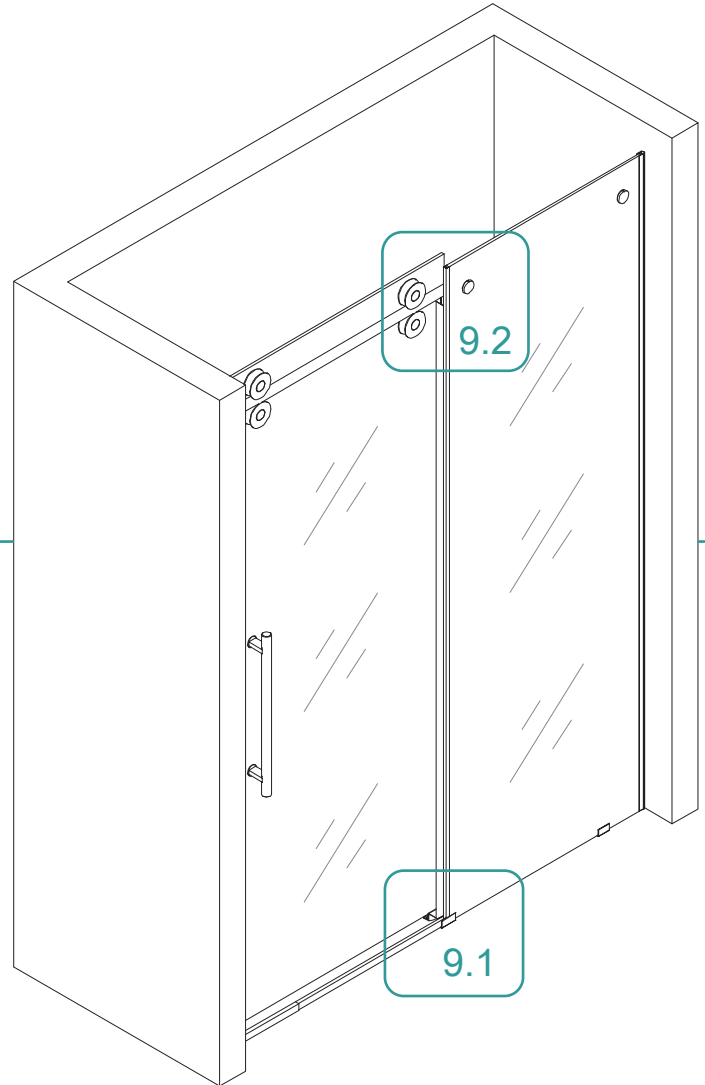
# 8

8.1  
Attach one end of P into the slider slot securely.  
Ensure P is aligned horizontally with the ground.  
Snap Q onto the other end of P.



# 9

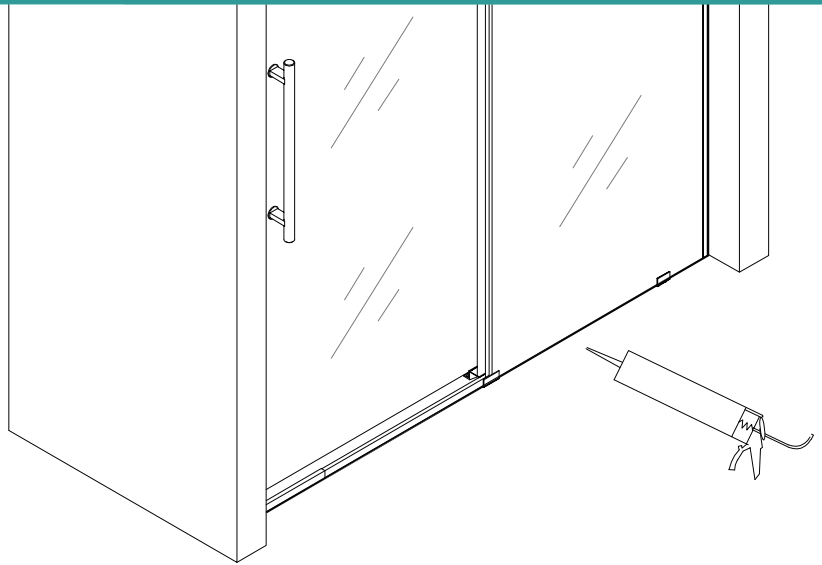
Insert the lower end of G into the slider until it is firmly secured.  
Snap G securely onto the glass.  
Trim any excess material from the upper end of G.



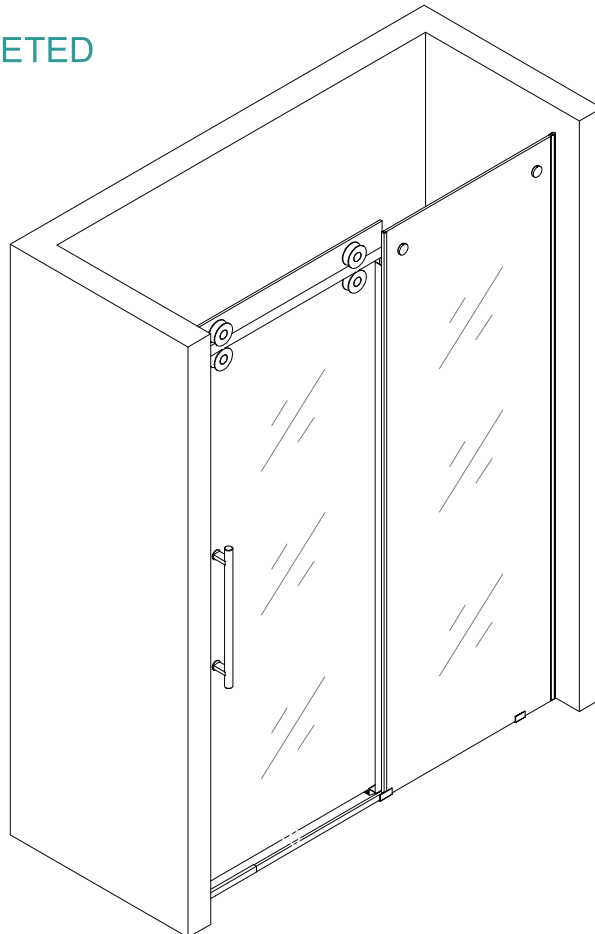


10

Apply clear water proof silicone around the doors.



INSTALLTION COMPLETED



AFTER  
INSTALLATION



WAIT 24 HRS  
BEFORE USE



206 WEMBLY ROAD - NEW WINDSOR, NY 12553  
P: 718.602.6060 F: 718.963.2082 - E: INFO@FINEFIXTURES.COM  
TOLL FREE: 1877.8 FIXTURES  
[FINEFIXTURES.COM](http://FINEFIXTURES.COM)

