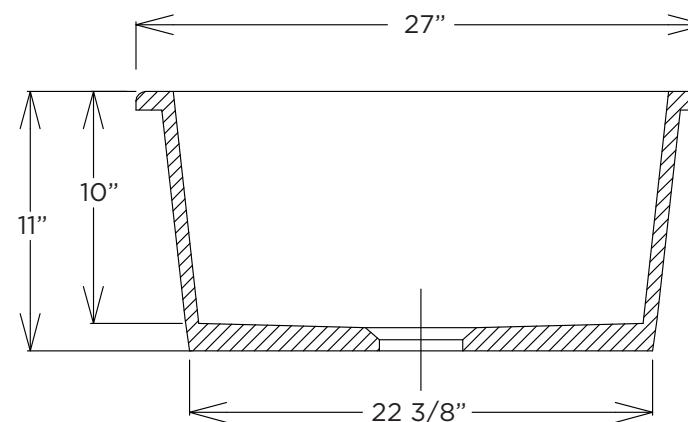
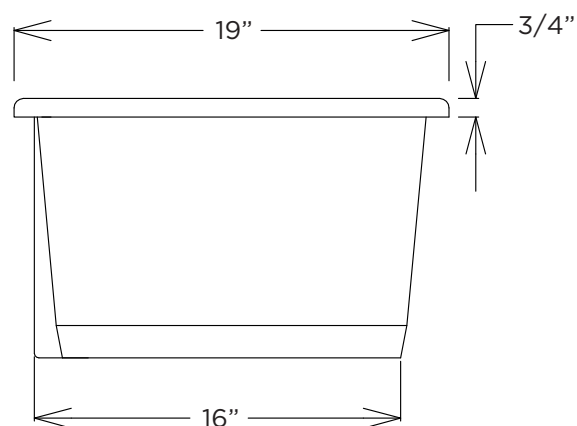
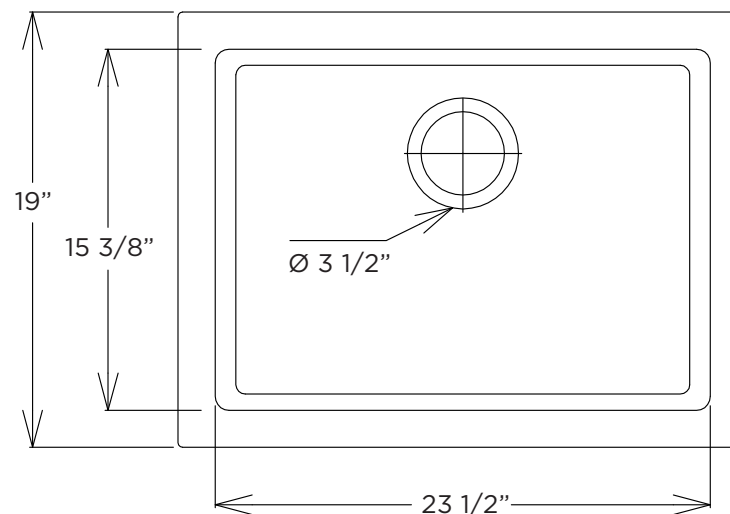


## SPECIFICATIONS / TECHNICAL DATA

# UNDERMOUNT FIRECLAY SINK

**27" X 19"**



*ATTENTION! Dimensions may vary by up to 3/8". It is highly recommended to pull all dimensions of actual model for installation and measuring purposes.*

**MODEL# FC2618UW**