

# KITCHEN SINKS

---





## Style that builds value, wherever it's placed.

Fine Fixtures delivers trend-forward, durable designs that elevate every project. Chosen by developers and investors alike, our fixtures bring lasting value, timeless style, and the kind of build quality that keeps properties competitive. US-based and constantly evolving, we make sourcing effortless so your projects stay on time, on spec, and on point.





### LASTING QUALITY

Our products are manufactured in state-of-the-art facilities, using German machines and elements from Switzerland. Each item is inspected 4 times to guarantee superior quality.

### FAST SHIPPING

With four major warehouses in Brooklyn, NY, Upstate NY, North Carolina, and California, we ensure your order ships quickly and efficiently.

### HIGH-END STYLES

By fostering an artistic and visionary design culture, we encourage our team to stay one step ahead of design trends, bringing you the most elegant and up-to-date fixtures

### SPARES FOR REPAIRS

For repairs and maintenance, we stock plenty of replacement parts, all available on our easy-to-browse parts site:

[parts@finefixtures.com](mailto:parts@finefixtures.com)

# CATEGORIES:

FIRECLAY	05
REFINED FIRECLAY	10
STAINLESS STEEL UNDERMOUNT	11
STAINLESS STEEL TOP MOUNT	23
APRON	27
GRIDS	29
SPECIFICATIONS	32



FINE  
FIXTURES

## FIRECLAY SINKS

---





## FIRECLAY SINKS FEATURES



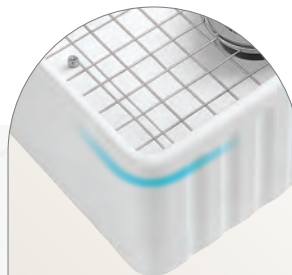
### DEEP BASIN DESIGN:

Our fireclay sinks provides a deeper space for soaking and washing without splashing or creating a mess.



### THERMAL SHOCK SAFE:

Fireclay sinks are built to withstand extreme hot and cold temperatures, ensuring lasting durability and performance.



### ROUND CORNERS:

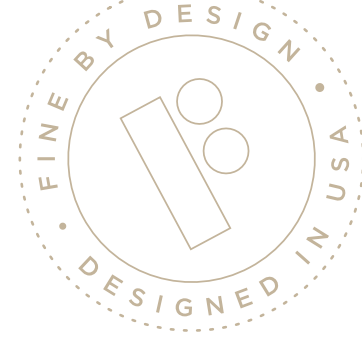
Sleek design, easy cleaning and maintenance.



### EFFICIENT DRAINAGE:

Gently sloped bottom ensures fast water flow and prevents pooling. Smart design keeps dishes stable and items secure.





#### EXCLUSIVE GLAZE:

Significantly smoother than typical sinks. Scratch and Chip Resistant



#### OPTIONAL ACCESSORIES:

Compatible grids, cutting boards, drains, and drying racks are available separately to complete your perfect kitchen setup.



#### GARBAGE DISPOSALS COMPATIBLE:

3.5 CFNGHNFN



### FINE FIXTURES Stainless Steel Kitchen Sinks

Discover Fine Fixtures Fireclay Sinks, where the resilience of fireclay converges with refined design to redefine kitchen elegance. These kitchen sinks embody a harmonious blend of aesthetic appeal and functional durability. Crafted for enduring beauty, each sink in the collection features a resilient, glossy finish that stands up to stains and scratches, ensuring your kitchen space remains a timeless focal point of both style and quality. Additionally, the innovative reversible installation option allows for customization with a choice between a fluted side or a flat side, catering to personal preferences and kitchen designs.



# FARMHOUSE FIRECLAY SINKS

- **High-Quality Fireclay Construction**  
Crafted from vitreous china fireclay for lasting durability and elegance.
- **Stain, Scratch & Fade Resistant**  
Maintains its glossy finish through years of use.
- **Easy-to-Clean Surface**  
Resists stains and makes dirt and bacteria easier to clean.
- **Heat / Cold Resistant**  
Withstands high and low temperatures without damage.



Sutton™



**# FC2418SU**

W: 23 1/2" D: 19" H: 8 1/2"  
Inner Size W: 21 3/4" D: 17"  
Drain Size: 3 1/2" - 26" Minimum Cabinet Size

Sutton™



**# FC3018SU**

W: 29 1/2" D: 18 3/4" H: 10"  
Inner Size W: 27 3/4" D: 17 1/4" H: 8 1/2"  
Drain Size: 3 1/2" - 32" Minimum Cabinet Size

Sutton™



**# FC3318SU**

Double Bowl W: 33" D: 18 3/4" H: 10"  
Inside W: 30 1/2" D: 15 1/4" H: 8 1/2"  
Drain Size: 3 1/2" - 35" Minimum Cabinet Size

FIRECLAY SINKS

Anveres™



# FC3318GI-D

W: 33" D: 18" H: 10"  
Inner Size (ea. Bowl) W: 15 1/2" D: 16 1/2"  
Drain Size: 3 1/2" - 35" Minimum Cabinet Size

Berrington™



# FC3120BE

W: 31 1/4" D: 19 1/4" H: 8 3/4"  
Inner Size (ea. Bowl) W: 14" D: 17 3/4" H: 7"  
Drain Size: 3 1/2" - 34" Minimum Cabinet Size

Snowdon™



# FC3318SN

W: 32 3/4" D: 20" H: 10"  
Inner Size (ea. Bowl) W: 14 3/4" D: 17 1/2"  
Drain Size: 3 1/2" - 35" Minimum Cabinet Size

Pilette™



# FC2418UW

W: 24 3/8" D: 18 1/2" H: 11"  
Inner Size W: 21 1/8" D: 15 1/2" H: 10 1/8"  
Drain Size: 3 1/2" - 26" Minimum Cabinet Size

Pilette™



# FC2618UW

W: 27" D: 19" H: 11"  
Inner Size W: 23 1/4" D: 15 3/8" H: 10"  
Drain Size: 3 1/2" - 29" Minimum Cabinet Size

Pilette™



# FC2818UW

Single Bowl W: 32" D: 20" H: 11"  
Inner Size W: 28 3/4" D: 17 3/8" H: 10"  
Drain Size: 3 1/2" - 34" Minimum Cabinet Size

REFINED FIRECLAY SINKS

Orvieto™



# FCB3018

Apron Fluted - W: 30" D: 18" H: 10"  
Inner Size W: 28 1/2" D: 16 3/5" H: 9"



Orvieto™



# FCB3318

Apron Fluted - W: 33" D: 18" H: 10"  
Inner Size W: 31 1/2" D: 16 3/5" H: 9"

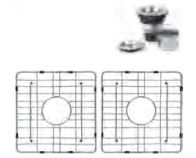


Orvieto™



# FCB3318-D

Apron Fluted - W: 33" D: 18" H: 10"  
Inner Size W: 31 1/2" D: 16 3/5" H: 9"



Matera™



# FCA3020

Curved Apron - W: 30" D: 20" H: 10"  
Inner Size W: 28 1/2" D: 18" H: 9"



Matera™



# FCA3320

Curved Apron - W: 33" D: 20" H: 10"  
Inner Size W: 31 1/2" D: 18" H: 9"

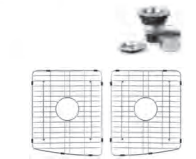


Matera™



# FCA3320-D

Curved Apron - W: 33" D: 20" H: 10"  
Inner Size W: 31 1/2" D: 18" H: 9"





FINE  
FIXTURES

Undermount  
**STAINLESS  
STEEL SINKS**

---





## STAINLESS STEEL SINKS FEATURES



### TOP MOUNT:

Easy drop-in installation with a visible rim that adds durability and classic appeal while ensuring quick, secure setup.



### UNDERMOUNT:

Sleek and seamless installation beneath the countertop for a modern, clean look that maximizes workspace and simplifies cleaning.



### ANTI-CONDENSATION:


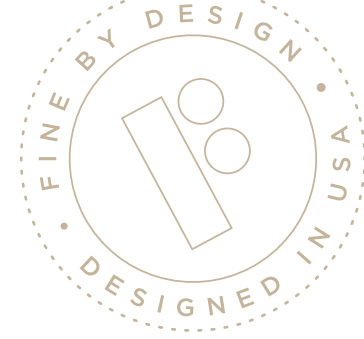
Protective layer that prevents moisture buildup, keeping the sink's exterior dry and protecting cabinetry from damage.



### EFFICIENT DRAINAGE:

Gently sloped base with grooves ensures fast water flow and prevents pooling. Smart design keeps dishes stable and items secure.







**STEEL THICKNESS:**


Four gauges, from standard to heavy-duty needs.

16 Gauge	.051"	1.29 mm
18 Gauge	.040"	1.02 mm
20 Gauge	.032"	.812 mm
22 Gauge	.025"	.644 mm




**OPTIONAL ACCESSORIES:**


Compatible grids, cutting boards, drains, and drying racks are available separately to complete your perfect kitchen setup.




**CORNER TYPES OPTIONS:**



Zero Radius



Finger Radius

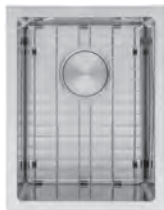


Round Corner

## FINE FIXTURES Stainless Steel Kitchen Sinks

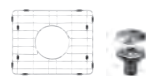
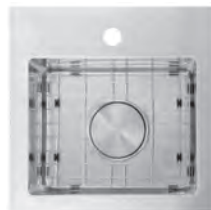
A masterful blend of functionality and elegance that elevates your kitchen experience. Crafted from robust stainless steel, this sinks ensures remarkable durability and resilience. This sinks showcases superior craftsmanship and a flawless finish that enhances any decor. Enhanced with exceptional rust and corrosion resistance, the brushed satin finish conceals scratches and fingerprints, while elegant curves and lines contribute to its modern appeal. With noise-reducing features and fully insulated design, this sinks not only performs beautifully but also creates a tranquil cooking environment, making it the perfect addition to contemporary or transitional kitchens.

STAINLESS STEEL SINKS • UNDERMOUNT



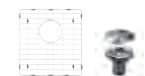
**# S905-O** 14" x 18"

Undermount - Single Bowl - 16 Gauge - Finger Radius  
 W: 14" X D: 18" X H: 9" - Inner Size: W: 12" D: 16"  
 Minimum Cabinet Size: 16"



**# S712-O** 15" x 15"

Undermount - Single Bowl - XX Gauge - Finger Radius  
 T - Inner Size: W: 12 1/4" D: 9 7/8"  
 Minimum Cabinet Size: 17"



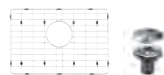
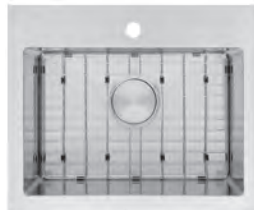
**# S711-O** 17" x 20"

Undermount - Single Bowl - 16 Gauge - Finger Radius  
 W: 17" D: 20" H: 9" - Inner Size: W: 14 1/4" D: 15"  
 Minimum Cabinet Size: 19"



**# S906-O** 22" x 18"

Undermount - Single Bowl - 16 Gauge - Finger Radius  
 W: 22" D: 18" H: 10" - Inner Size: W: 20" D: 16"  
 Minimum Cabinet Size: 24"



**# S710-O** 22" x 18"

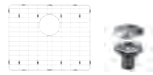
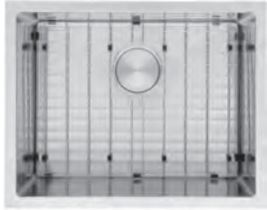
Undermount - Single Bowl - 16 Gauge - Finger Radius  
 W: 22" D: 18" H: 10" - Inner Size: W: 19 1/4" D: 13"  
 Minimum Cabinet Size: 24"



**# S901-O** 23" x 18"

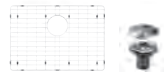
Undermount - Single Bowl - 16 Gauge - Finger Radius  
 W: 23" D: 18" H: 10 1/8" - Inner Size: W: 21" D: 16"  
 Minimum Cabinet Size: 25"

STAINLESS STEEL SINKS • UNDERMOUNT



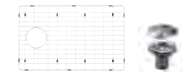
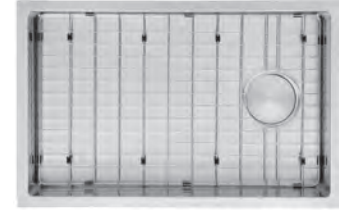
**# S603-5-O** 23" x 18"

Undermount - Single Bowl - 16 Gauge - Finger Radius  
W: 23" D: 17 3/4" H: 5" - Inner Size: W: 21" D: 15 3/4"  
Minimum Cabinet Size: 25"



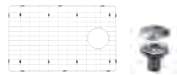
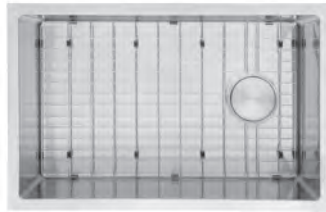
**# S903-O** 25" x 18"

Undermount - Single Bowl - 16 Gauge - Finger Radius  
W: 25" D: 18" H: 10" - Inner Size: W: 23" D: 16"  
Minimum Cabinet Size: 27"



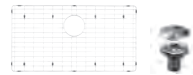
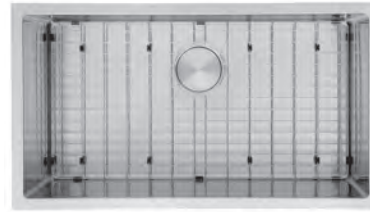
**# S904-5-O** 28" x 18"

Undermount - Single Bowl - 16 Gauge - Finger Radius  
W: 28" D: 18" H: 5" - Inner Size: W: 26" D: 16"  
Minimum Cabinet Size: 30"



**# S904-O** 28" x 18"

Undermount - Single Bowl - 16 Gauge - Finger Radius  
W: 28" D: 18" H: 10" - Inner Size: W: 26" D: 16"  
Minimum Cabinet Size: 30"



**# S902-O** 32" x 18"

Undermount - Single Bowl - 16 Gauge - Finger Radius  
W: 32" D: 18" H: 10" - Inner Size: W: 30" D: 16"  
Minimum Cabinet Size: 34"



**# S905** 14"x 18"

Undermount - Single Bowl - 18 Gauge - Finger Radius  
 W: 14" D: 18" H: 9" - Inner Size: W: 12" D: 16"  
 Minimum Cabinet Size: 16"



**# S603-5** 23"x 18"

Undermount - Single Bowl - 18 Gauge - Finger Radius  
 W: 23" D: 17 3/4" H: 5" - Inner Size: W: 21" D: 15 3/4"  
 Minimum Cabinet Size: 25"



**# S901** 23"x 18"

Undermount - Single Bowl - 16 Gauge - Finger Radius  
 W: 23" D: 18" H: 10 1/8" - Inner Size: W: 21" D: 16"  
 Minimum Cabinet Size: 25"



**# S702** 23"x 18"

Undermount - Single Bowl - 16 Gauge - Zero Radius  
 W: 23" D: 18" H: 10" - Inner Size: W: 21" D: 16"  
 Minimum Cabinet Size: 25"



**# S901-5** 23"x 18"

Undermount - Single Bowl - 18 Gauge - Finger Radius  
 W: 23" D: 18" H: 5" - Inner Size: W: 21" D: 16"  
 Minimum Cabinet Size: 25"



**# S702-5** 23"x 18"

Undermount - Single Bowl - 18 Gauge - Finger Radius  
 W: 23" D: 18" H: 5" - Inner Size: W: 21" D: 16"  
 Minimum Cabinet Size: 25"

STAINLESS STEEL SINKS • UNDERMOUNT



**# S903** 25"x 18"

Undermount - Single Bowl - 18 Gauge - Finger Radius  
W: 25" D: 18" H: 10" - Inner Size: W: 23" D: 16"  
Minimum Cabinet Size: 27"



**# S904** 28"x 18"

Undermount - Single Bowl - 18 Gauge - Finger Radius  
W: 28" D: 18" H: 10" - Inner Size: W: 26" D: 16"  
Minimum Cabinet Size: 30"



**# S904-5** 28"x 18"

Undermount - Single Bowl - 18 Gauge - Finger Radius  
W: 28" D: 18" H: 5" - Inner Size: W: 26" D: 16"  
Minimum Cabinet Size: 30"



**# S902** 32"x 18"

Undermount - Single Bowl - 16 Gauge - Finger Radius  
W: 32" D: 18" H: 9 3/4" - Inner Size: W: 30" D: 16"  
Minimum Cabinet Size: 34"



**# S701** 32"x 19"

Undermount - Single Bowl - XX Gauge - Zero Radius  
W: 32" D: 19" H: 9" - Inner Size: W: 30" D: 17"  
Minimum Cabinet Size: 35"



**# S751** 32"x 18"

Undermount - Double Bowl - 16 Gauge - Zero Radius  
W: 32" D: 18" H: 9 1/2" - Bowls: W: 13 1/4" D: 15"  
Minimum Cabinet Size: 35"



**# S712** 15"x 15"

Top mount - Single Bowl - XX Gauge - Finger Radius  
W: 15" D: 15" H: 9" - Inner Size: W: 12 1/4" D: 9 7/8"  
Minimum Cabinet Size: 17"



**# S711** 17"x 20"

Top Mount - Single Bowl - 18 Gauge - Finger Radius  
W: 17" D: 20" H: 9" - Inner Size: W: 14 1/4" D: 15"  
Minimum Cabinet Size: 19"



**# S710** 22"x 18"

Top mount - Single Bowl - 18 Gauge - Finger Radius  
W: 22" D: 18" H: 10" - Inner Size: W: 19 1/4" D: 13"  
Minimum Cabinet Size: 24"



**# S706S2** 25"x 22"

Top mount - Single Bowl - 16 Gauge - Zero Radius  
W: 25" D: 22" H: 10" - Inner Size: W: 22" D: 16"  
Minimum Cabinet Size: 28"



**# S753S2** 33"x 22"

Top mount - Single Bowl - 18 Gauge - Finger Radius  
W: 33" D: 22" H: 10" - Inner Size: W: 30 1/4" D: 17"  
Minimum Cabinet Size: 35"



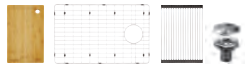
**# S754S2** 36"x 22"

Top mount - Single Bowl - 18 Gauge - Finger Radius  
W: 36" D: 22" H: 10" - Inner Size: W: 33 1/4" D: 17"  
Minimum Cabinet Size: 38"



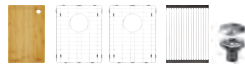
## WORKSTATION SINK SETS

- **High-Quality Steel Construction**  
Premium 16-gauge 304 stainless steel, ensuring outstanding strength and durability.
- **Complete workstation setup**  
Matching strainer, stainless steel grid, bamboo cutting board, and roll-up drying rack.
- **Expertly handcrafted in Thailand**  
Reflecting meticulous attention to detail and superior craftsmanship.
- **Sound-dampening pads and full insulation**  
Reduce noise and maintain optimal temperature balance without condensation.



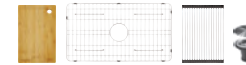
# **SW101** 23" x 18"

Undermount - Workstation - 16 Gauge - Finger Radius  
W: 23" D: 18" H: 10" - Inner Size: W: 21" D: 16"  
Minimum Cabinet Size: 28"



# **SW102** 28" x 19"

Undermount - Workstation - 16 Gauge - Finger Radius  
W: 28" D: 19" H: 10" - Inner Size: W: 26" D: 17"  
Minimum Cabinet Size: 31"



# **SW103** 30" x 19"

Undermount - Workstation - 16 Gauge - Finger Radius  
W: 30" D: 19" H: 10" - Inner Size: W: 28" D: 17"  
Minimum Cabinet Size: 33"



**# S601** 16" x 16"

Undermount - Single Bowl - 18 Gauge - Round Corner  
W: 16" D: 16" H: 8" - Inner Size: W: 14" D: 14"  
Minimum Cabinet Size: 18"



**# S703** 18" x 18"

Undermount - Single Bowl - 18 Gauge - Round  
W: 17 3/4" D: 17 3/4" H: 7" - Inner Size: W: 15 3/4" D: 15 3/4"  
Minimum Cabinet Size: 20"



**# S602** 19" x 17"

Undermount - Single Bowl - 16 Gauge - Round Corner  
W: 18" D: 15 1/2" H: 8" - Inner Size: W: 16" D: 13 1/2"  
Minimum Cabinet Size: 21"



**# S607** 21" x 20"

Undermount - Single Bowl - XX Gauge - Round Corner  
W: 20" D: 20 3/4" H: 8 3/4" - Inner Size: W: 17 1/2" D: 18 3/4"  
Minimum Cabinet Size: 25"



**# S603** 23" x 18"

Undermount - Single Bowl - 18 Gauge - Round Corner  
W: 23" D: 17 7/8" H: 9" - Inner Size: W: 21" D: 15 7/8"  
Minimum Cabinet Size: 25"



**# S604** 23" x 19"

Undermount - Single Bowl - 18 Gauge - Round Corner  
W: 23 5/8" D: 19" H: 9" - Inner Size: W: 21 5/8" D: 19"  
Minimum Cabinet Size: 26"



**# S606** 32" x 19"

Undermount - Single Bowl - 16 Gauge - Round Corner  
 W: 31 1/2" D: 18 1/2" H: 9" - Inner Size: W: 29 1/4" D: 16 1/4"  
 Minimum Cabinet Size: 35"



**# S654-L** 32" x 21"

Undermount - Double Bowl - 20 Gauge - Round Corner  
 W: 31 3/4" D: 20 1/2" H: 8 3/4" - Minimum Cabinet Size: 35"  
 Large Bowl: W: 17 3/4" D: 18 1/2" - Small Bowl: 10 1/2" D: 16"



**# S654-R** 32" x 21"

Undermount - Double Bowl - 20 Gauge - Round Corner  
 W: 31 3/4" D: 20 1/2" H: 8 3/4" - Minimum Cabinet Size: 35"  
 Large Bowl: W: 17 3/4" D: 18 1/2" - Small Bowl: 10 1/2" D: 16"



**# S653-L** 32" x 21"

Undermount - Double Bowl - 20 Gauge - Round Corner  
 W: 32" D: 21" H: 9" - Minimum Cabinet Size: 35"  
 Large Bowl: W: 21" D: 19" - Small Bowl: 7 1/2" D: 16"



**# S653-R** 32" x 21"

Undermount - Double Bowl - 20 Gauge - Round Corner  
 W: 32" D: 21" H: 9" - Minimum Cabinet Size: 35"  
 Large Bowl: W: 21" D: 19" - Small Bowl: 7 1/2" D: 16"



**# S655** 32" x 21"

Undermount - Double Bowl - 18 Gauge - Round Corner  
 W: 32" D: 20 1/2" H: 8 3/4" - Minimum Cabinet Size: 35"  
 Large Bowl: W: 15 3/4" D: 18 1/2" - Small Bowl: 13" D: 16 1/2"

## STAINLESS STEEL SINKS - UNDERMOUNT



### # S651 33" x 19"

Undermount - Double Bowl - 20 Gauge - Round Corner  
W: 32 1/2" D: 18 1/4" H: 8 3/4" - Bowls: W: 14 1/2" D: 16 1/4"  
Minimum Cabinet Size: 35"





FINE  
FIXTURES

Top Mount  
**STAINLESS  
STEEL SINKS**

---





**# S712** 15"x 15"

Top mount - Single Bowl - XX Gauge - Finger Radius  
 W: 15" D: 15" H: 9" - Inner Size: W: 12 1/4" D: 9 7/8"  
 Minimum Cabinet Size: 17"



**# S711** 17"x 20"

Top Mount - Single Bowl - 18 Gauge - Finger Radius  
 W: 17" D: 20" H: 9" - Inner Size: W: 14 1/4" D: 15"  
 Minimum Cabinet Size: 19"



**# S710** 22"x 18"

Top mount - Single Bowl - 18 Gauge - Finger Radius  
 W: 22" D: 18" H: 10" - Inner Size: W: 19 1/4" D: 13"  
 Minimum Cabinet Size: 24"



**# S706S2** 25"x 22"

Top mount - Single Bowl - 16 Gauge - Zero Radius  
 W: 25" D: 22" H: 10" - Inner Size: W: 22" D: 16"  
 Minimum Cabinet Size: 28"



**# S753S2** 33"x 22"

Top mount - Single Bowl - 18 Gauge - Round Radius  
 W: 33" D: 22" H: 10" - Inner Size: W: 30 1/4" D: 17"  
 Minimum Cabinet Size: 35"



**# S754S2** 36"x 22"

Top mount - Single Bowl - 18 Gauge - Finger Radius  
 W: 36" D: 22" H: 10" - Inner Size: W: 33 1/4" D: 17"  
 Minimum Cabinet Size: 38"



**# S202** 15" x 15"

Top Mount - Single Bowl - 22 Gauge - Round Corner  
W: 15" D: 15" H: 5" - Inner Size: W: 12" D: 9 1/4"  
Minimum Cabinet Size: 17"



**# S201** 15" x 15"

Top Mount - Single Bowl - 22 Gauge - Round Corner  
W: 15" D: 15" H: 5 1/2" - Inner Size: W: 12" D: 9 1/4"  
Minimum Cabinet Size: 17"



**# S102** 17" x 22"

Top Mount - Single Bowl - 18 Gauge - Round Corner  
W: 17" D: 22" H: 8" - Inner Size: W: 14" D: 16"  
Minimum Cabinet Size: 19"



**# S401** 25" x 22"

Top Mount - Single Bowl - 20 Gauge - Round Corner  
W: 25" D: 22" H: 8" - Inner Size: W: 21" D: 15 1/2"  
Minimum Cabinet Size: 27"



**# S204** 25" x 22"

Top Mount - Single Bowl - 20 Gauge - Round Corner  
W: 25" D: 22" H: 6" - Inner Size: W: 21" D: 16 3/8"  
Minimum Cabinet Size: 27"



**# S203** 25" x 22"

Top Mount - Single Bowl - 20 Gauge - Round Corner  
W: 25" D: 22" H: 6" - Inner Size: W: 21" D: 15 1/2"  
Minimum Cabinet Size: 27"



**# S402** 25" x 22"

Top mount - Single Bowl - 20 Gauge - Round Corner  
W: 25" D: 22" H: 8" - Inner Size: W: 21" D: 15 1/2"  
Minimum Cabinet Size: 27"



**# S452** 33" x 22"

Top mount - Double Bowl - 20 Gauge - Round Corner  
W: 33" D: 22" H: 8" - Bowls Size: W: 14" D: 16"  
Minimum Cabinet Size: 35"



**# S451** 33" x 22"

Top mount - Double Bowl - 20 Gauge - Round Corner  
W: 33" D: 22" H: 6" - Bowls Size: W: 14" D: 16"  
Minimum Cabinet Size: 35"



**# S454** 33" x 22"

Top mount - Double Bowl - 20 Gauge - Round Corner  
W: 33" D: 22" H: 6" - Inner Size: W: 14" D: 16"  
Minimum Cabinet Size: 35"





FINE  
FIXTURES

Apron

# STAINLESS STEEL SINKS

---





**# S801** 30"x 21"

Single Bowl - 16 Gauge  
 W: 30" D: 21" H: 10"  
 Inner Size: W: 27 1/8" D: 16" H: 10"



**# S802** 36"x 21"

Single Bowl - 16 Gauge  
 W: 36" D: 21" H: 10"  
 Inner Size: W: 33" D: 16" H: 10"



**# S804** 24"x 21"

Single Bowl - 16 Gauge  
 W: 24" D: 21" H: 10"  
 Inner Size: W: 21" D: 16" H: 10"



**# S851** 33"x 22"

Offset Double Bowl - 16 Gauge  
 W: 33" D: 22" H: 10"  
 Inner Size: W: 30" D: 17" H: 10"



**# S852** 36"x 22"

Offset Double Bowl - 16 Gauge  
 W: 36" D: 22" H: 10"  
 Inner Size: W: 33" D: 17" H: 10"

**ENGINEERED FOR SILENCE,  
 BUILT FOR LIFE.**

Our stainless steel sink features a heavy-duty textured coating that reduces noise, dampens vibrations, and prevents condensation.

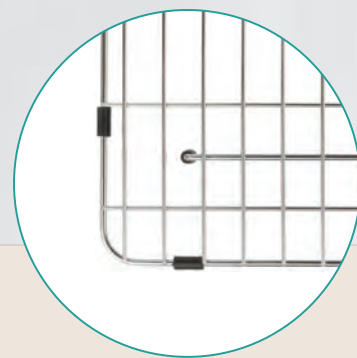
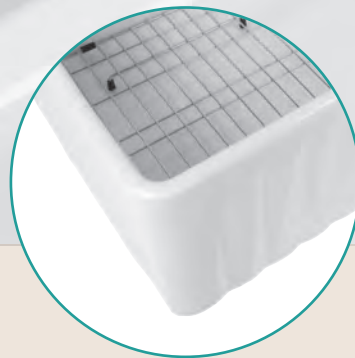
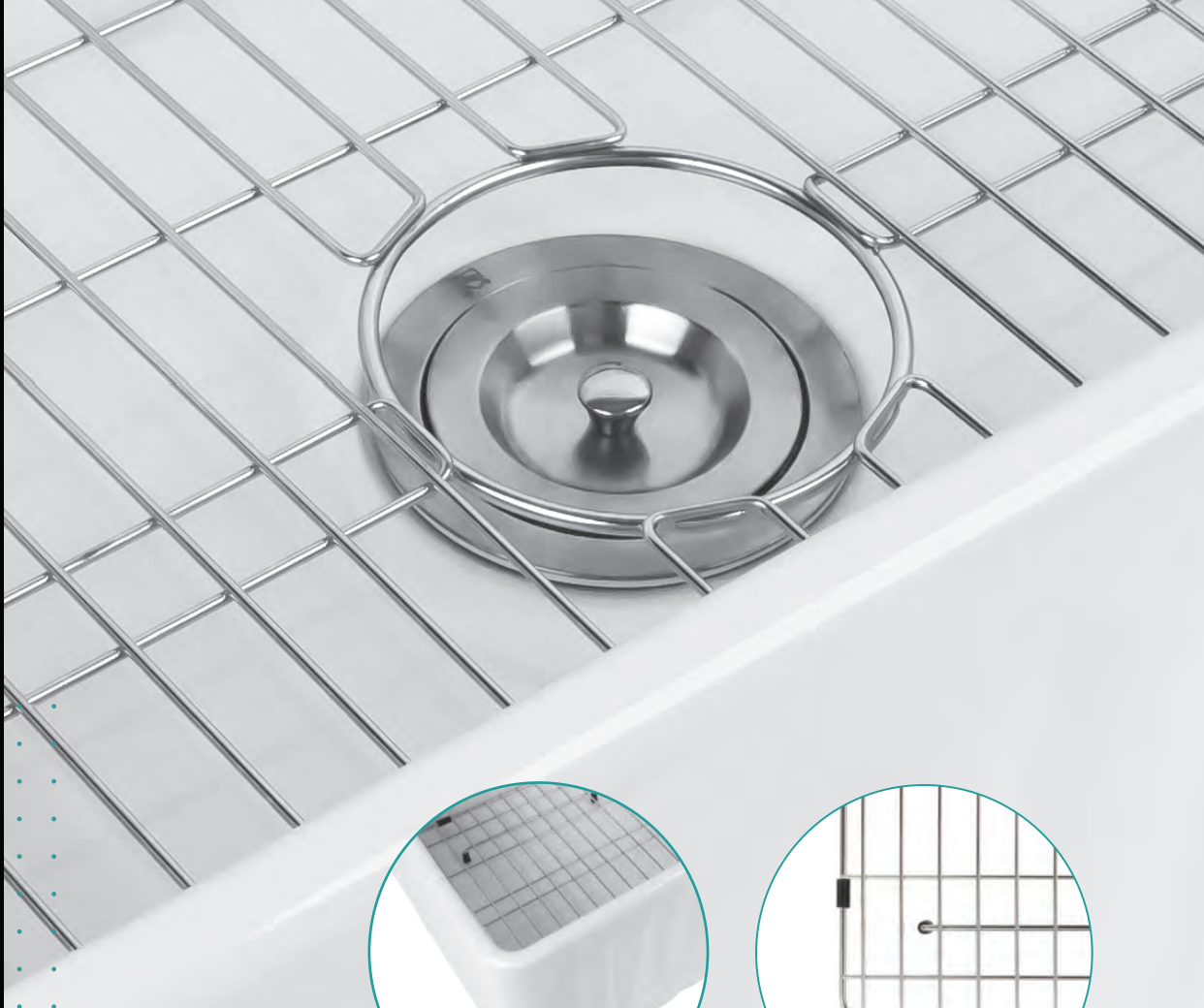


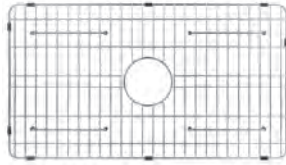


FINE  
FIXTURES

## STAINLESS STEEL GRIDS

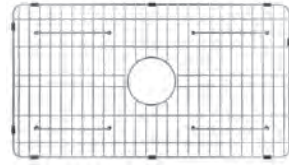
---





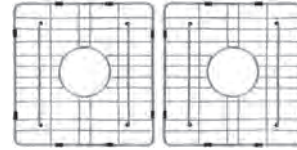
**# GFCB3018**

Grid for FCB3018 fireclay sink



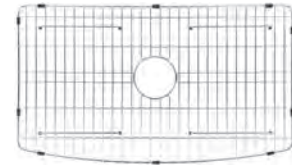
**# GFCB3318**

Grid for FCB3318 fireclay sink



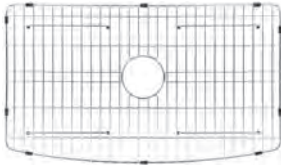
**# GFCB3318-D**

Grid for FCB3318-D fireclay sink  
(Right & left)



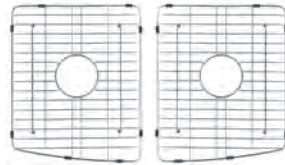
**# GFCB3020**

Grid for FCA3020 fireclay sink



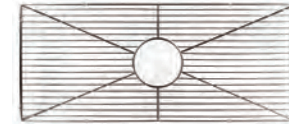
**# GFCB3320**

Grid for FCA3320 fireclay sink



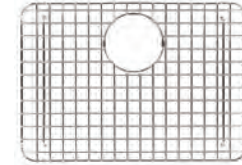
**# GFCB3320-D**

Grid for FCA3320-D fireclay sink  
(Right & left)



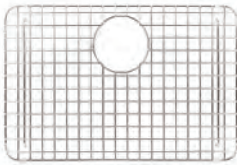
**# GFC3618GI**

Grid for FC3318SN fireclay sink  
(Reversible)



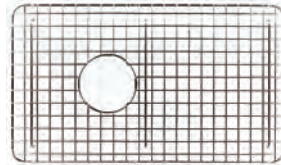
**# GFC2418UW**

Grid for FC2418UW fireclay sink



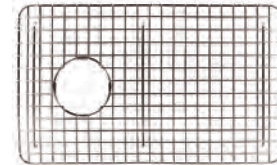
**# GFC2618W**

Grid for FC2618UW fireclay sink



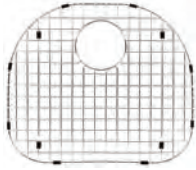
**# GFC2818UW**

Grid for FC2818UW fireclay sink



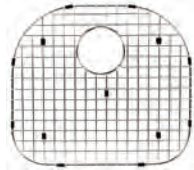
**# GFC3018SU**

Grid for FC3018SU fireclay sink



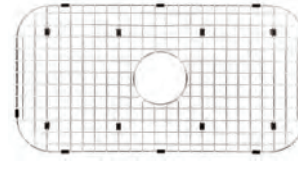
**# G604**

Grid for S604 Stainless Steel Sink



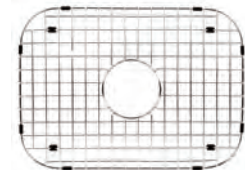
**# G6045**

Grid for S604 or S605 Stainless Steel Sink



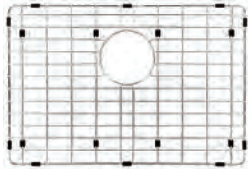
**# G606**

Grid for S606 Stainless Steel Sink



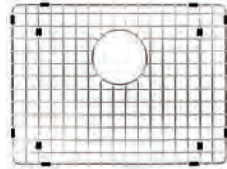
**# G603**

Grid for S603 or S603-5  
Stainless Steel Sink



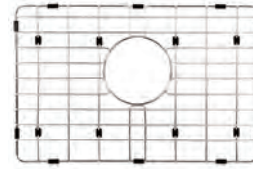
**# G903**

Grid for S903 Stainless Steel Sink



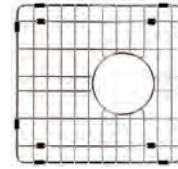
**# G702-901**

Grid for S702 or S901 Stainless Steel Sink



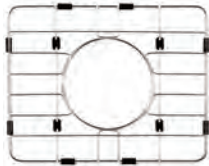
**# G710**

Grid for S710 Stainless Steel Sink



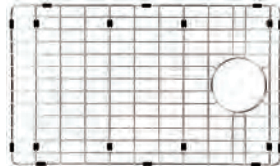
**# G711**

Grid for S711 Stainless Steel Sink



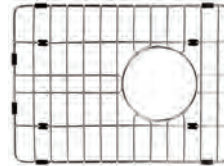
**# G712**

Grid for S712 Stainless Steel Sink



**# G904**

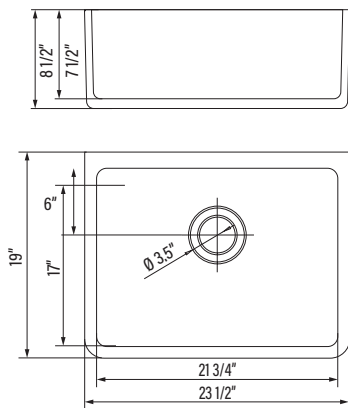
Grid for S904 or S904-5 Stainless Steel Sink



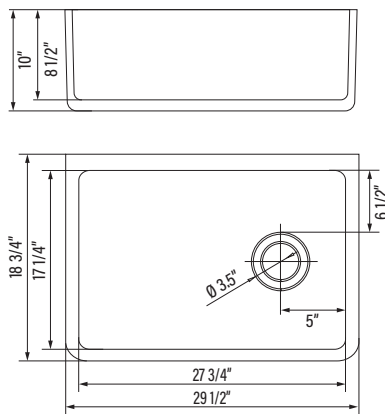
**# G905**

Grid for S905 Stainless Steel Sink

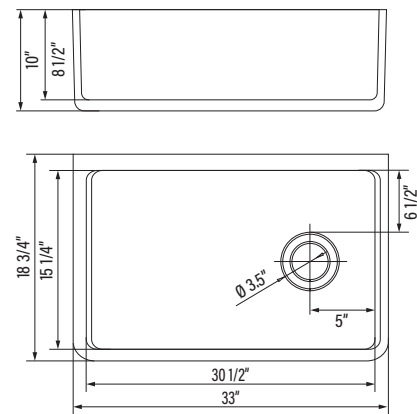
FIRECLAY SINKS - SPECIFICATIONS



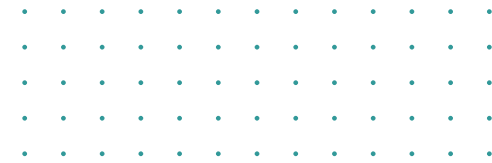
# FC2418SU - W: 23 1/2" D: 19" H: 8 1/2"

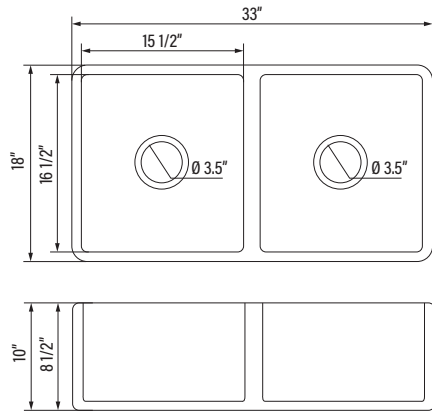


# FC3018SU - W: 29 1/2" D: 18 3/4" H: 10"

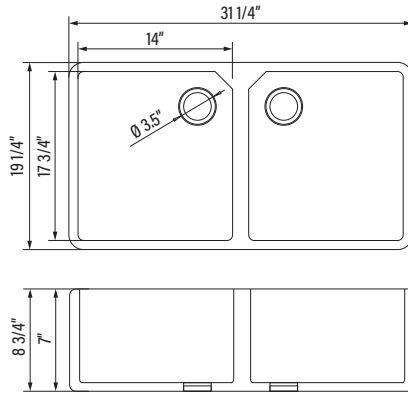


# FC3318SU - W: 30 1/2" D: 15 1/4" H: 8 1/2"

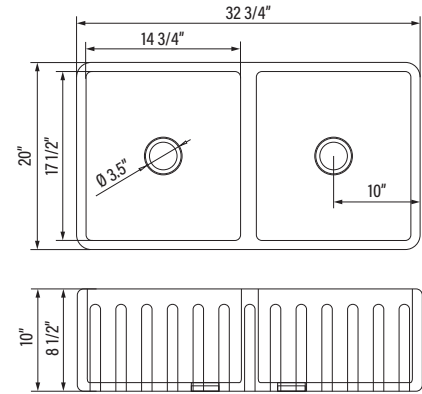




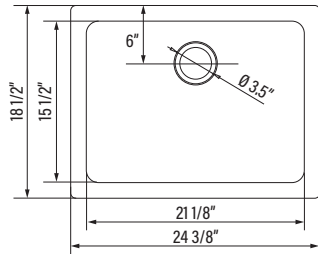
# FC3318GI-D - W: 33" D: 18" H: 10"



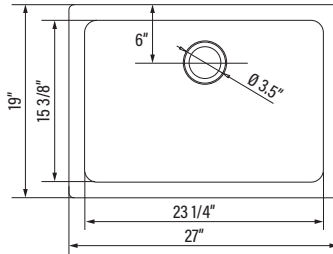
# FC3120BE - W: 31 1/4" D: 19 1/4" H: 8 3/4"



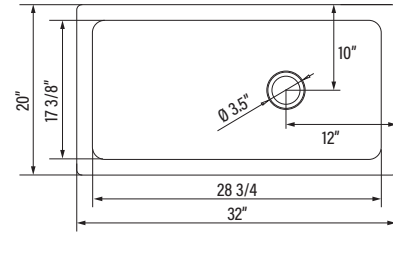
# FC3318SN - W: 32 3/4" D: 20" H: 10"



# FC2418UW - W: 24 3/8" D: 18 1/2" H: 11"

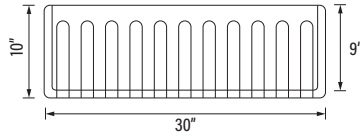
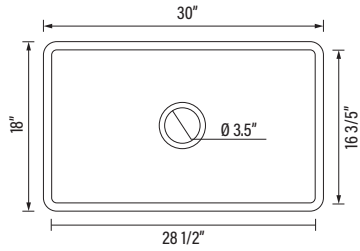


# FC2618UW - W: 27" D: 19" H: 11"

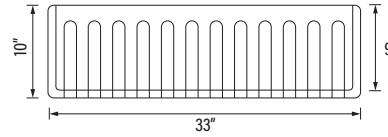
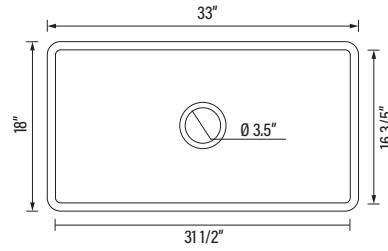


# FC2818UW - W: 32" D: 20" H: 11"

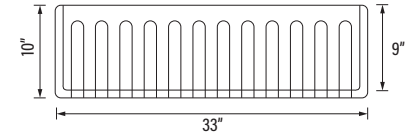
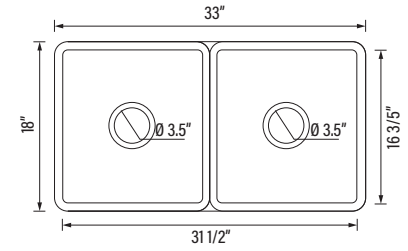
REFINED FIRECLAY SINKS - SPECIFICATIONS



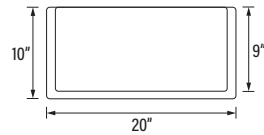
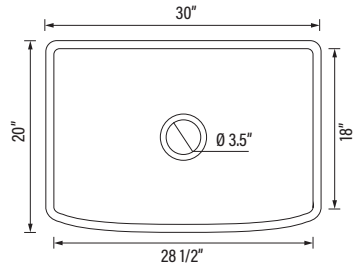
# FCB3018 - W: 30" D: 18" H: 10"



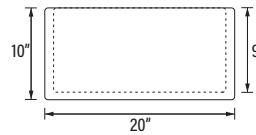
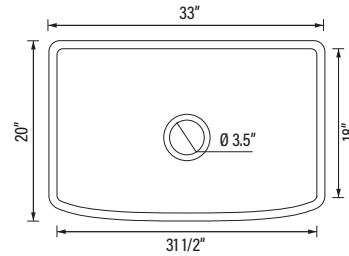
# FCB3318 - W: 33" D: 18" H: 10"



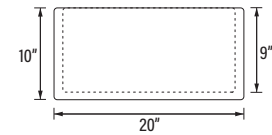
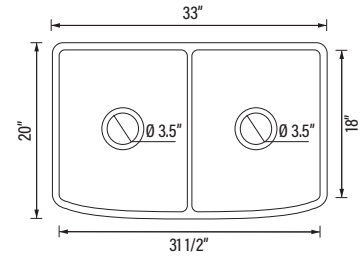
# FCB3318-D - W: 33" D: 18" H: 10"



# FCA3020 - W: 30" D: 20" H: 10"

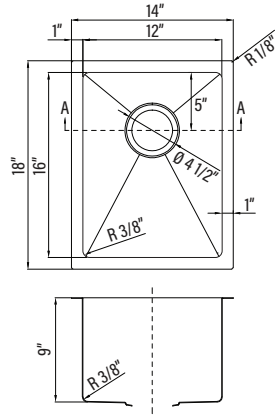


# FCA3320 - W: 33" D: 20" H: 10"

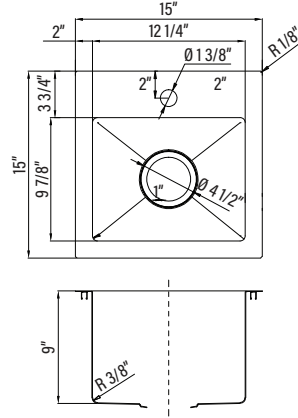


# FCA3320-D - W: 33" D: 20" H: 10"

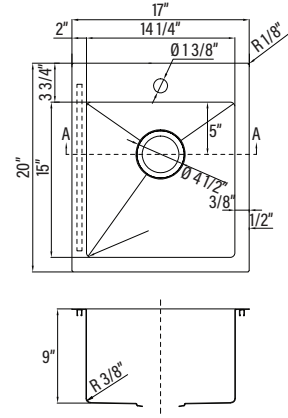
UNDERMOUNT SINKS - SPECIFICATIONS



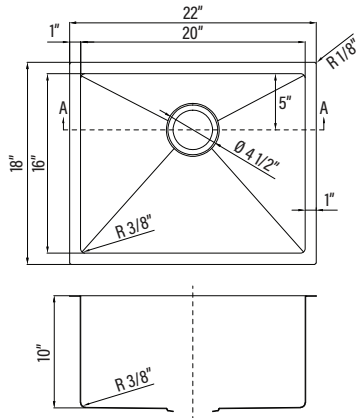
# S905-O W: 14" X D: 18" X H: 9"



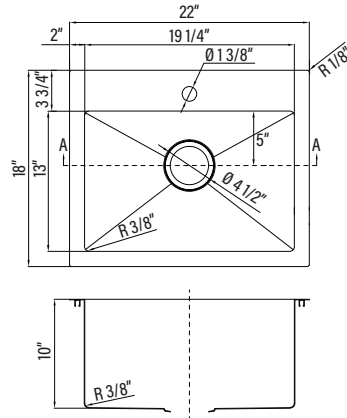
# S712-O W: 15" X D: 15" X H: 9"



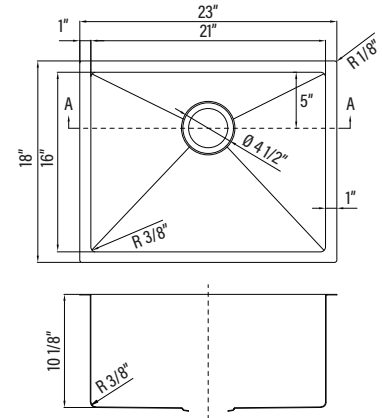
# S711-O W: 17" D: 20" H: 9"



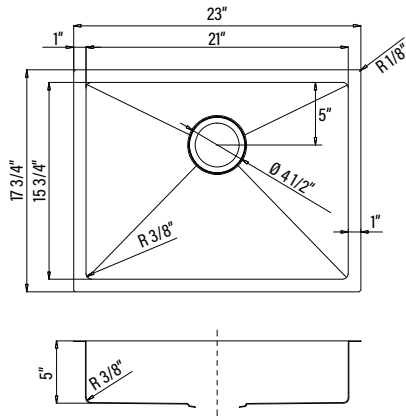
# S906-O W: 22" D: 18" H: 10"



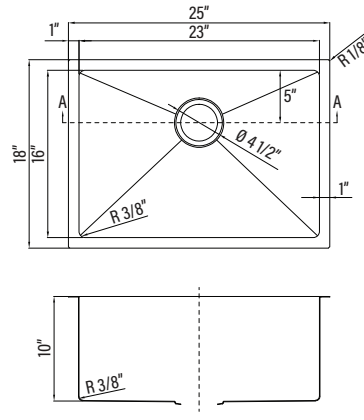
# S710-O W: 22" D: 18" H: 10"



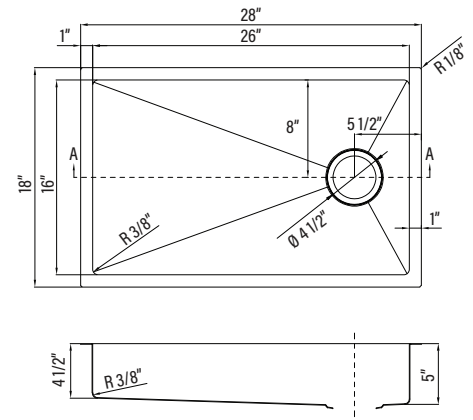
# S901-O W: 23" D: 18" H: 10 1/8"



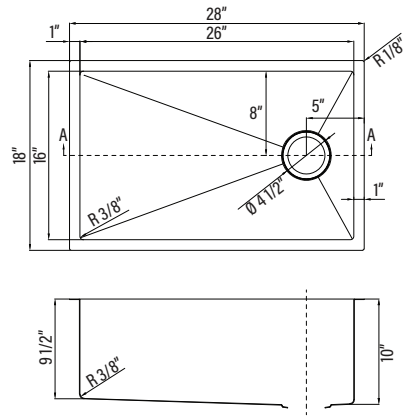
# S603-5-O W: 23" D: 17 3/4" H: 5"



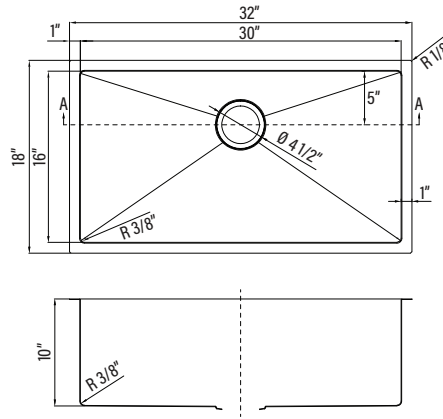
# S903-O W: 25" D: 18" H: 10"



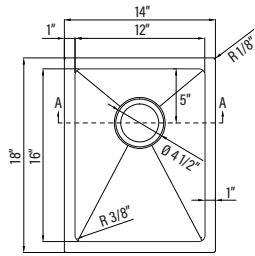
# S904-5-O W: 28" D: 18" H: 5"



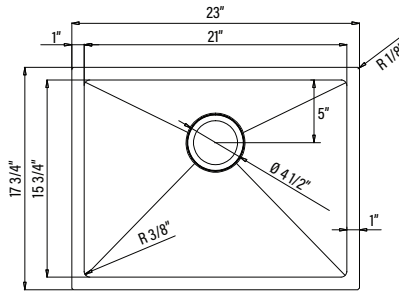
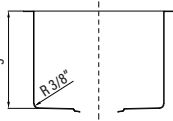
# S904-O W: 28" D: 18" H: 10"



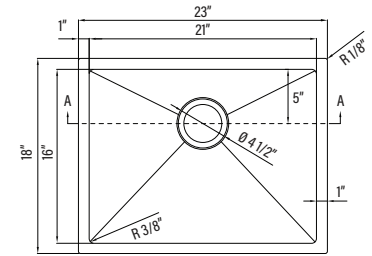
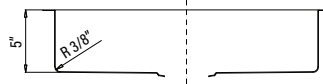
# S902-O W: 32" D: 18" H: 10"



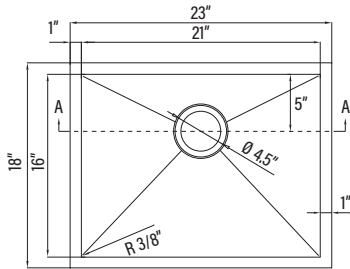
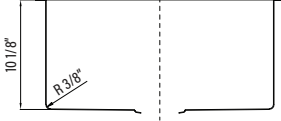
# S905 W: 14" D: 18" H: 9"



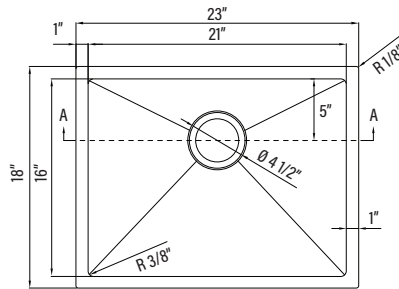
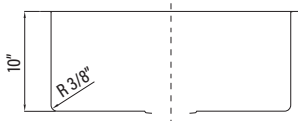
# S603-5 W: 23" D: 17 3/4" H: 5"



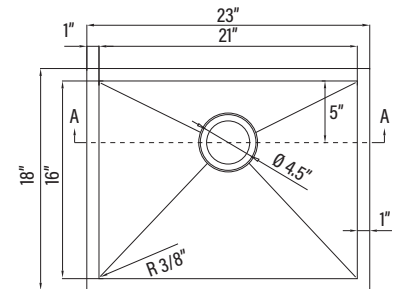
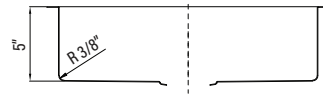
# S901 W: 23" D: 18" H: 10 1/8"



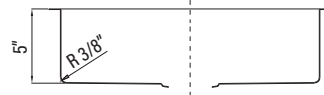
# S702 W: 23" D: 18" H: 10"

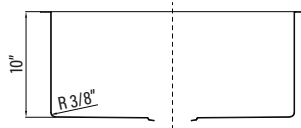
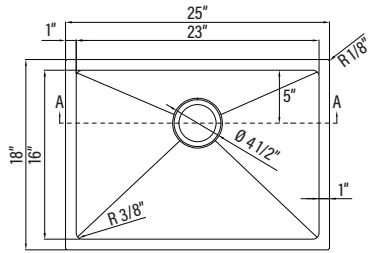


# S901-5 W: 23" D: 18" H: 5"

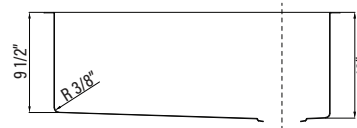
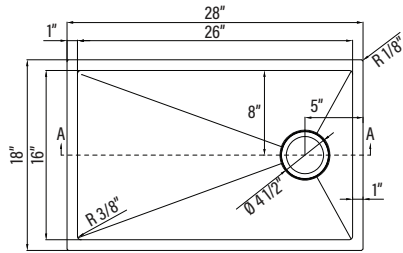


# S702-5 W: 23" D: 18" H: 5"

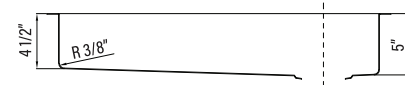
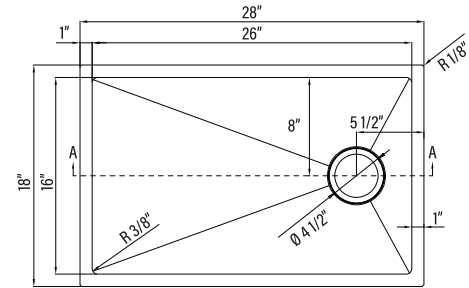




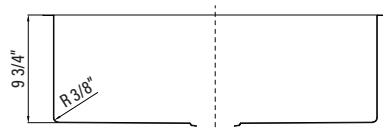
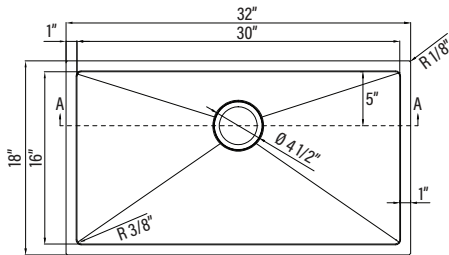
# S903 W: 25" D: 18" H: 10"



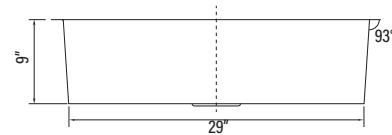
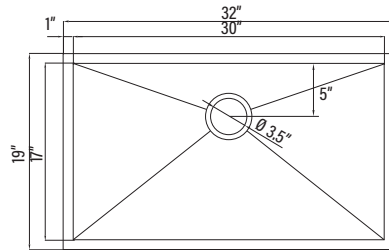
# S904 W: 28" D: 18" H: 10"



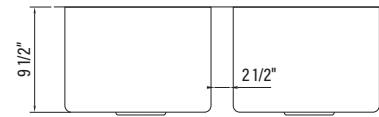
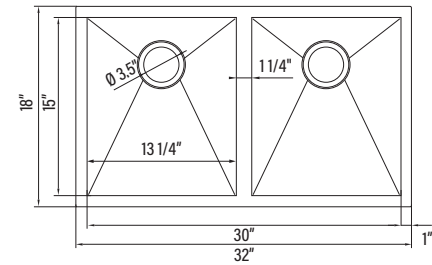
# S904-5 W: 28" D: 18" H: 5"



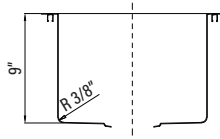
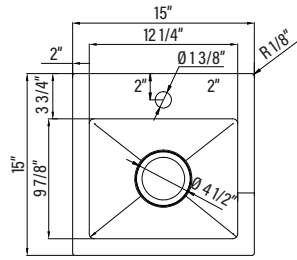
# S902 W: 32" D: 18" H: 9 3/4"



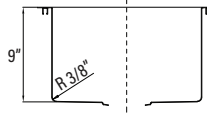
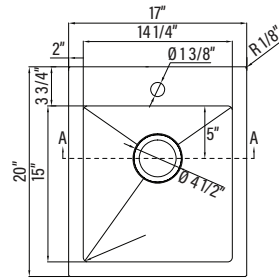
# S701 W: 32" D: 19" H: 9"



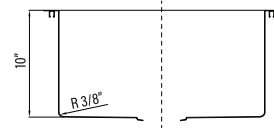
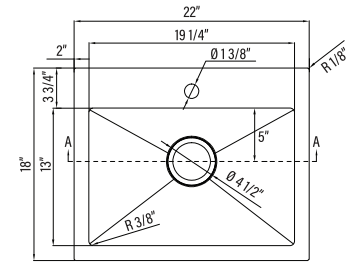
# S751 W: 32" D: 18" H: 9 1/2"



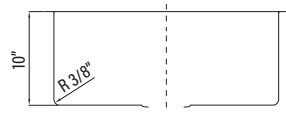
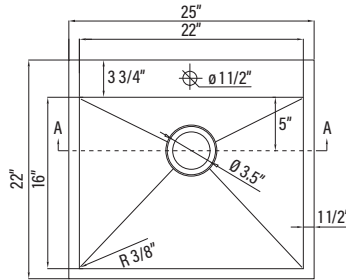
# S712 W: 15" D: 15" H: 9"



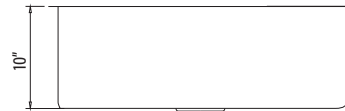
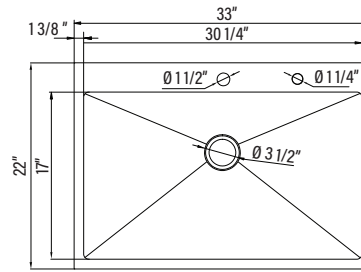
# S711 W: 17" D: 20" H: 9"



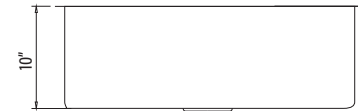
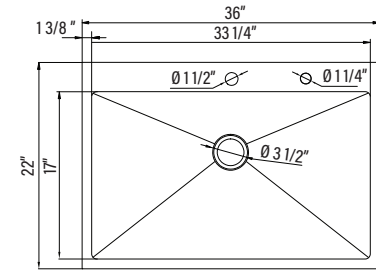
# S710 W: 22" D: 18" H: 10"



# S706S2 W: 25" D: 22" H: 10"

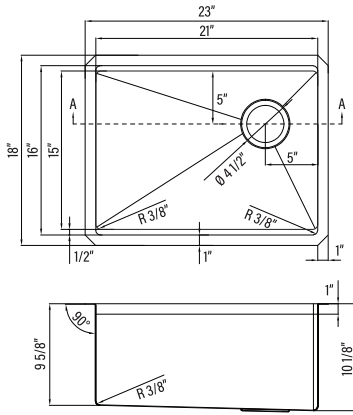


# S753S2 W: 33" D: 22" H: 10"

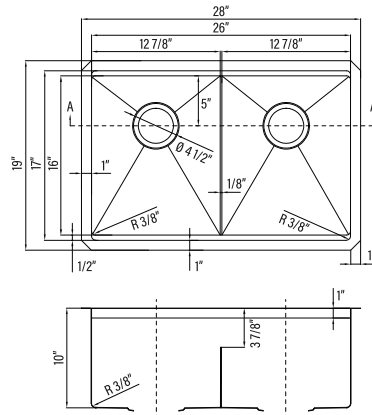


# S754S2 W: 36" D: 22" H: 10"

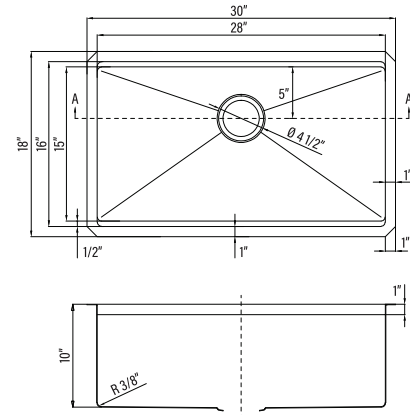
WORKSTATION SINKS - SPECIFICATIONS



# SW101 23" x 18" x 10 1/8"

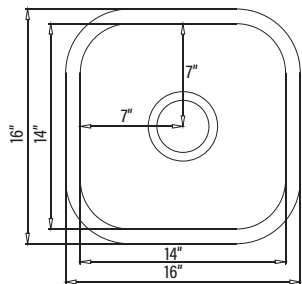


# SW102 28" x 19" x 10"

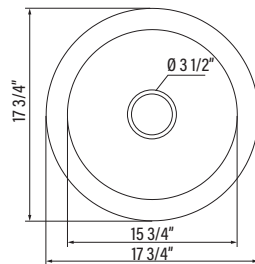


# SW103 30" x 18" x 10"

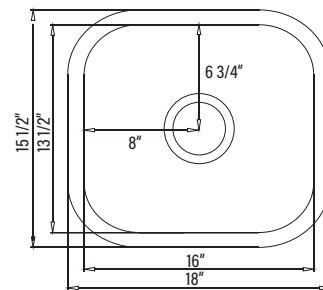
WORKSTATION SINK SETS - Undermount



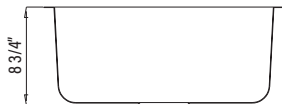
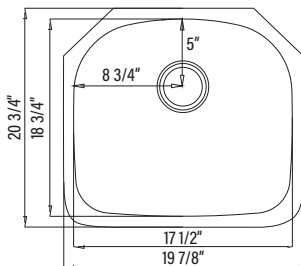
# S601 W: 16" D: 16" H: 8"



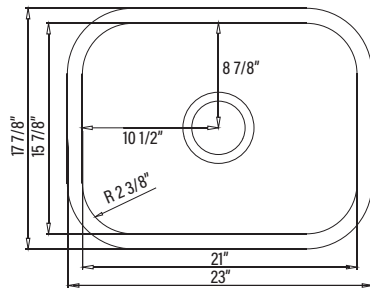
# S703 W: 17 3/4" D: 17 3/4" H: 7"



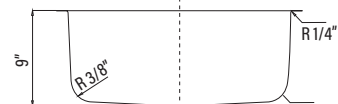
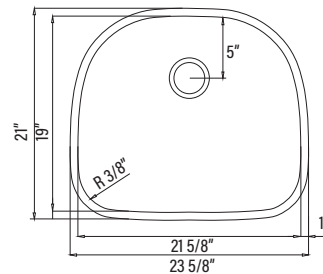
# S602 W: 18" D: 15 1/2" H: 8"



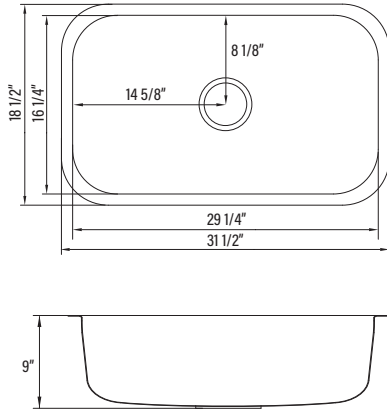
# S607 W: 20" D: 20 3/4" H: 8 3/4"



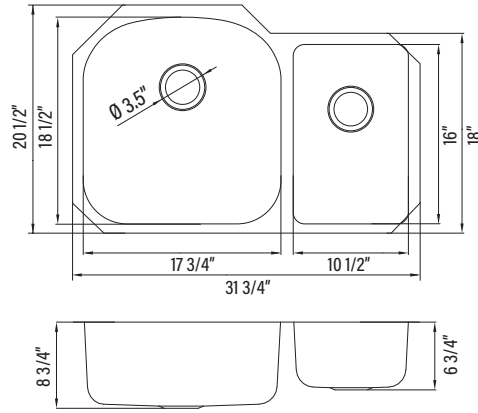
# S603 W: 23" D: 17 7/8" H: 9"



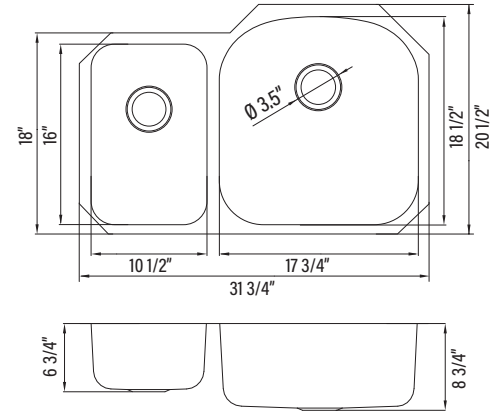
# S604 W: 23 5/8" D: 19" H: 9"



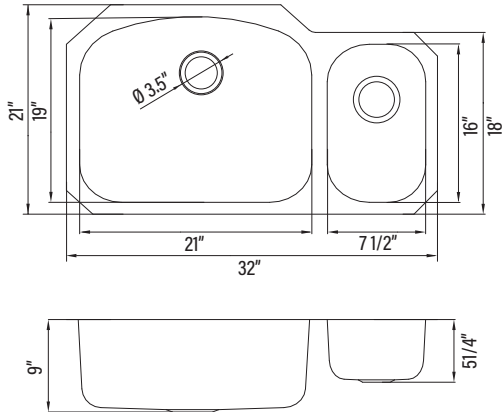
# S606 W: 31 1/2" D: 18 1/2" H: 9"



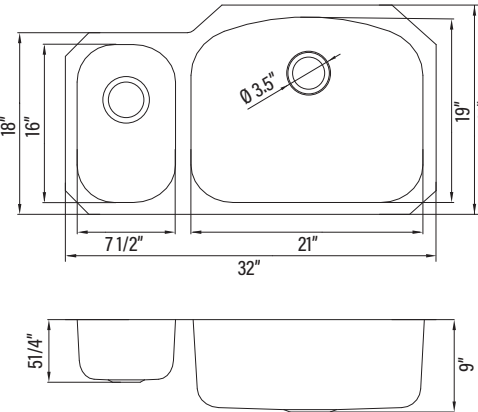
# S654-L W: 31 3/4" D: 20 1/2" H: 8 3/4"



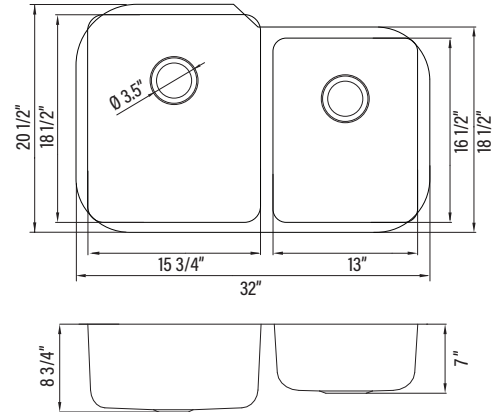
# S654-R W: 31 3/4" D: 20 1/2" H: 8 3/4"



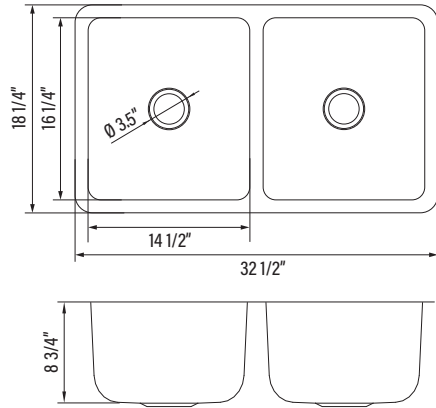
# S653-L W: 32" D: 21" H: 9"



# S653-R W: 32" D: 21" H: 9"

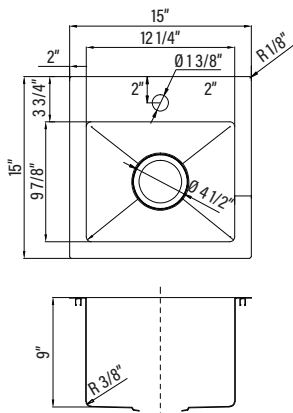


# S655 W: 32" D: 20 1/2" H: 8 3/4"

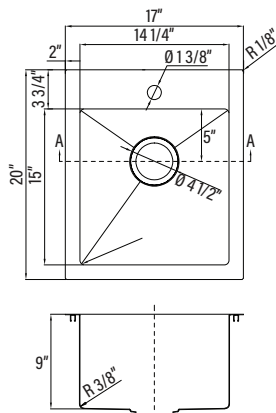


# S651 W: 32 1/2" D: 18 1/4" H: 8 3/4"

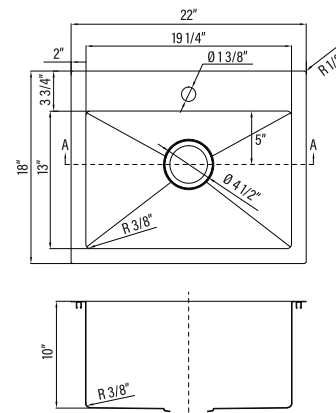
TOPMOUNT SINKS - SPECIFICATIONS



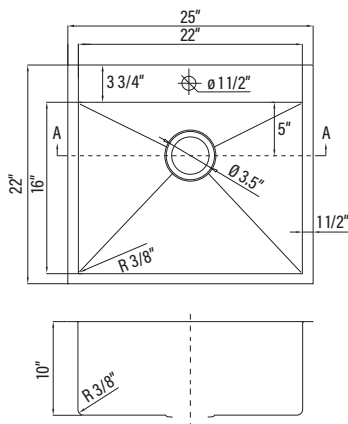
# S712 W: 15" D: 15" H: 9"



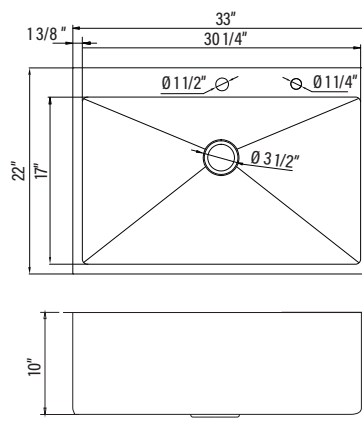
# S711 W: 17" D: 20" H: 9"



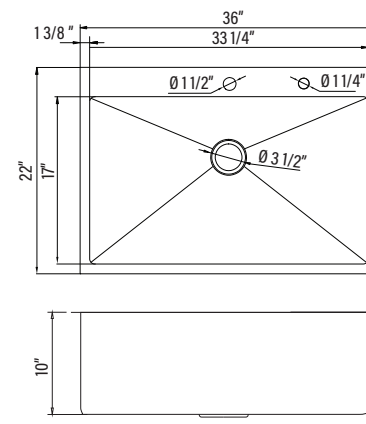
# S710 W: 22" D: 18" H: 10"



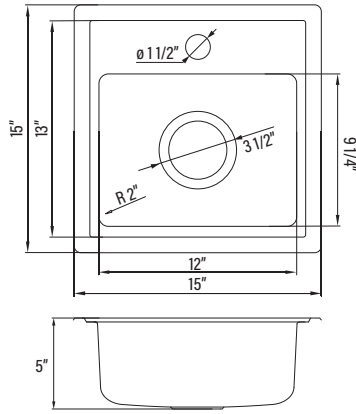
# S706S2 W: 25" D: 22" H: 10"



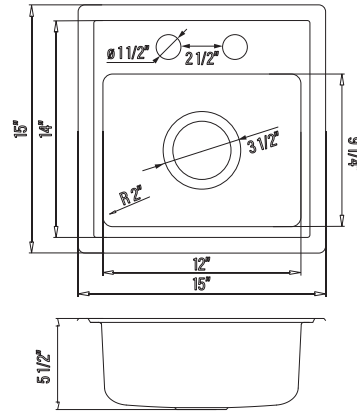
# S753S2 W: 33" D: 22" H: 10"



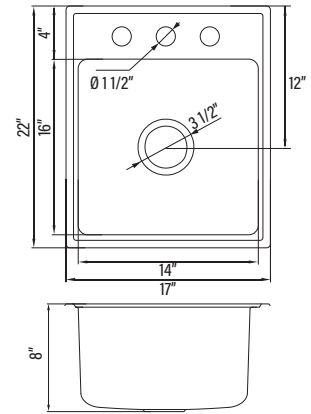
# S754S2 W: 36" D: 22" H: 10"



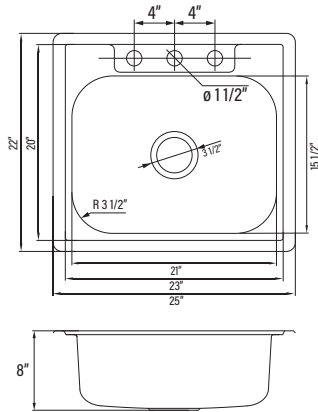
# S202 W: 15" D: 15" H: 5"



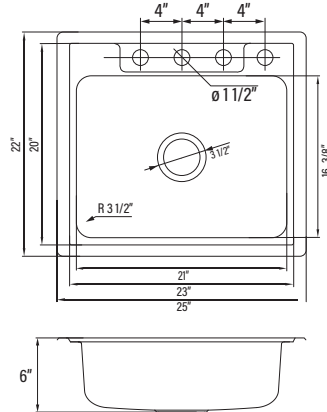
# S201 W: 15" D: 15" H: 5 1/2"



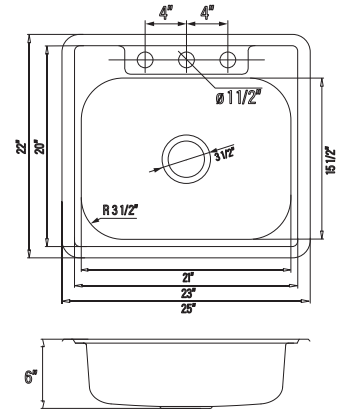
# S102 W: 17" D: 22" H: 8"



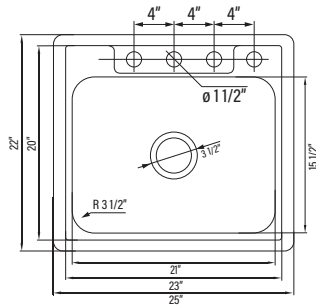
# S401 W: 25" D: 22" H: 8"



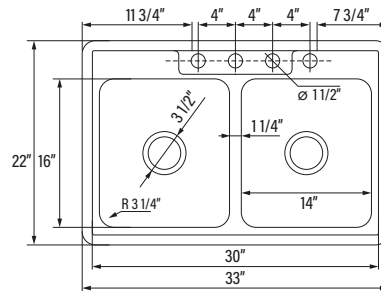
# S204 W: 25" D: 22" H: 6"



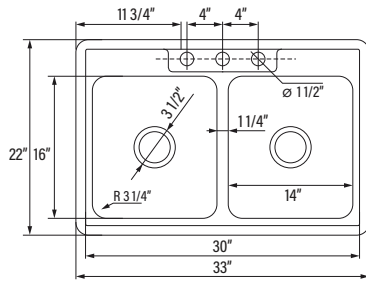
# S203 W: 25" D: 22" H: 6"



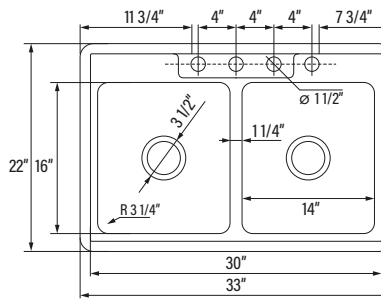
# S402 W: 25" D: 22" H: 8"



# S452 W: 33" D: 22" H: 8"

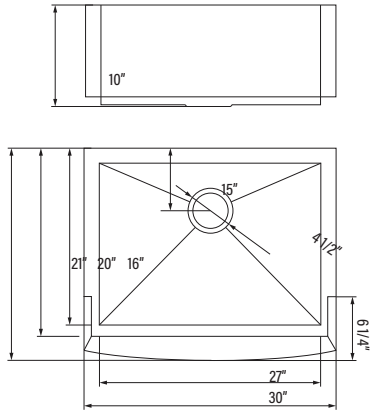


# S451 W: 33" D: 22" H: 6"

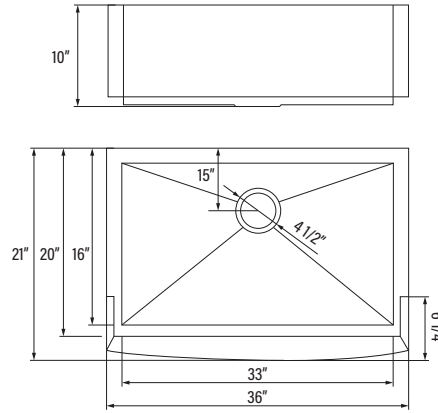


# S454 W: 33" D: 22" H: 6"

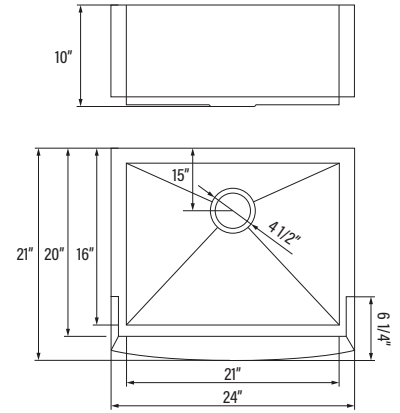
APRON SINKS - SPECIFICATIONS



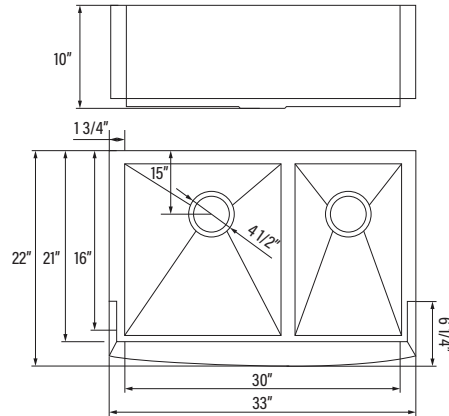
# S801 - W: 30" D: 21" H: 10"



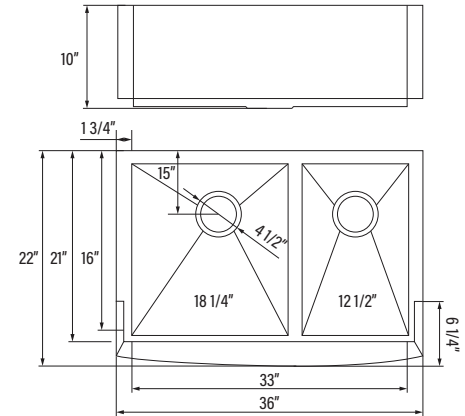
# S802 - W: 36" D: 21" H: 10"



# S804 - W: 24" D: 21" H: 10"



# S851 - W: 33" D: 22" H: 10"



# S852 - W: 36" D: 22" H: 10"



# FIXTURES THAT FOLLOW THE FUTURE.

## VANITIES

Our bathroom vanities blend modern elegance with functionality, enhancing any space with timeless appeal. Crafted from quality materials in various finishes and styles, they offer both sleek and classic designs. Built with care and durability, each piece elevates your bathroom's look and performance.



## TOILETS

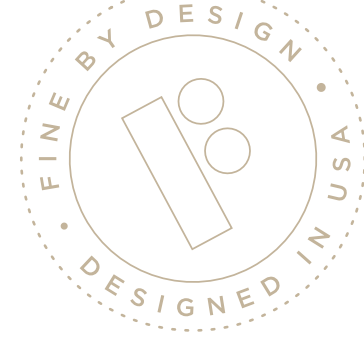
Our toilets combine precision engineering with sleek design for superior performance and comfort. Featuring advanced water-saving technology, they deliver powerful, efficient flushing while conserving water. Built from durable, high-quality materials, they ensure long-lasting use and easy maintenance.



## BATHTUBS

Our bathtubs combine luxury, comfort, and durability with sleek, modern design. Crafted from premium materials for long-lasting use and easy care, they offer ergonomic shapes and smooth finishes for a relaxing, spa-like experience in any bathroom.





## SHOWER DOORS

Our shower and tub doors blend modern style with everyday functionality. Made from high-quality glass and durable hardware, they offer elegance, strength, and easy maintenance. Available in frameless, semi-frameless, or framed options, each design enhances space and adds refined sophistication to any bathroom.



## MEDICINE CABINETS

Our mirror medicine cabinets combine style and function, available with or without LED lighting. LED models offer a soft, ambient glow, while non-LED versions keep a clean, minimalist look. Both feature high-quality mirrors, adjustable shelves, and durable construction, adding modern elegance and practical storage to any bathroom.



## BATHROOM SINKS

Our bathroom sinks blend modern design with lasting durability. Made from premium materials, they resist stains and are easy to maintain. Available in a range of styles—from sleek vessels to classic undermounts—they offer both beauty and functionality for any bathroom.





Function flows into finesse.





206 WEMBLY ROAD  
NEW WINDSOR, NY 12553  
P: 718.602.6060 F: 718.963.2082  
E: INFO@FINEFIXTURES.COM  
TOLL FREE: 1.877.8FIXTURES

---

FINEFIXTURES.COM

